

Clear Prop!

CULVER PQ-14B

1:48
model # CP4816

STARTER



scale model kit

SPAN: 190.3 mm



LENGTH: 122.7mm



NUMBER OF PARTS: 75 pcs

- 1** stages of assembly
- ?** optional
- A** variants of assembly
- glue by super glue
- A1** part number
- do not glue
- fill with putty
- make a hole
- 1** apply decals
- detach with knife
- apply the adhesive mask
- paint
- bend
- N** repeat the operation N times

Role	target drone
National origin	USA
Manufactured	Culver Aircraft Company
First flight	1942
Primary users	USAC, USN, USAF.
Produced	1942 - 1946
Number built	2043

The Culver PQ-14 Cadet is a modified version of the Culver LFA Cadet, used as a target drone. In 1940, the US Army Air Corps issued a requirement for a radio-controlled target drone for gunner training anti-aircraft artillery. The first aircraft in the series of target drones was the Culver LFA Cadet modification, which ultimately led to the creation of the PQ-14 series, used throughout World War II the war and after it.

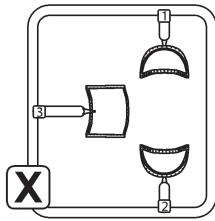
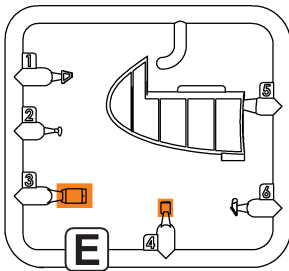
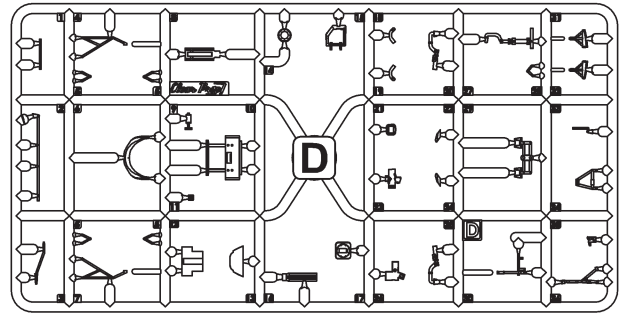
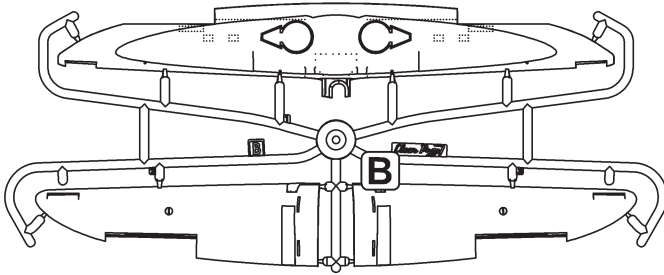
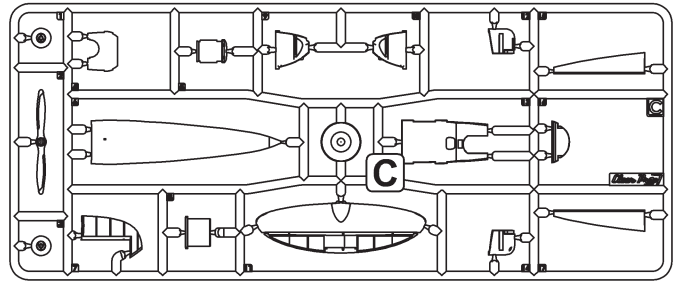
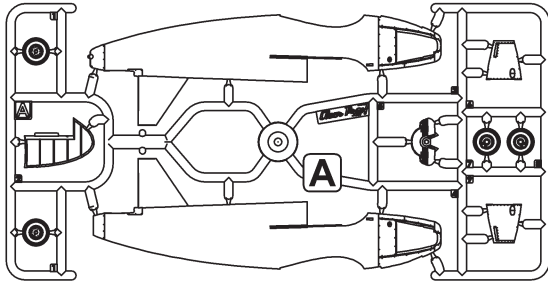
Culver proposed a modification of his civilian LFA Cadet model, which the Army purchased as the PQ-8. Success of the PQ-8 led to the development of "NRD"; the only PQ-8 was converted to a new configuration and tested by the USAF as XPQ-14. Larger and faster than the PQ-8, the PQ-14 also had retractable landing gear, and the fuselage, wings and components. The tail fins were made of wood with a loaded plywood skin. This prototype was followed by the YPQ-14A service test aircraft and 1,348 production PQ-14A models.

Of the latter, 1,198 were transferred to the US Navy, which designated them TD2C-1 with a decidedly unattractive called Turkey. A total of 594 PQ-14Bs served as target drones for the US Air Force. The only PQ-14B was converted to use the O-300-9 engine and designated XPQ-14C.

REQUIRED PAINTS

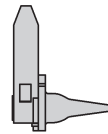
- | | | | | | | | |
|--------------------------------|--------------------------------|---------------------------------------|--------------------------------------|--------------------------------|---------------------------------------|---|---------------------------------|
| A MR. COLOR 3
RED | B MR. COLOR 1
WHITE | C MR. COLOR 2
BLACK | D MR. COLOR 137
TIRE BLACK | E MR. COLOR 8
SILVER | F MR. COLOR MC214
DARK IRON | G MR. COLOR MC211
CHROME SILVER | H MR. COLOR 219
BRASS |
| I MR. COLOR 113
WOOD | J MR. COLOR 313
WOOD | K MR. COLOR C364
GREY GREEN | L MR. COLOR C308
GREY | M MR. COLOR 327
RED | N MR. COLOR 329
YELLOW | | |

THIS MODEL IS PRODUCED FOR EXPERIENCED MODELERS OVER 14 YEARS



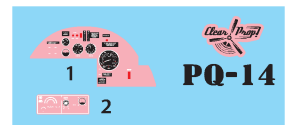
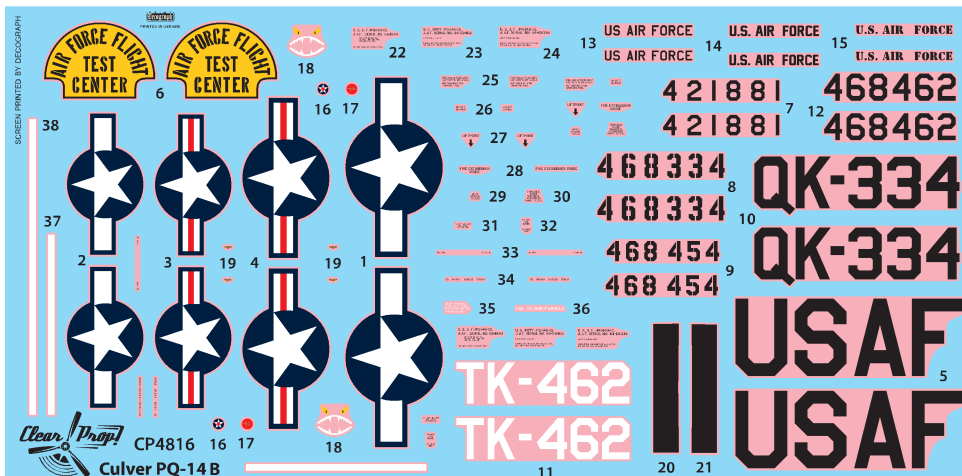
3D-PRINT PARTS

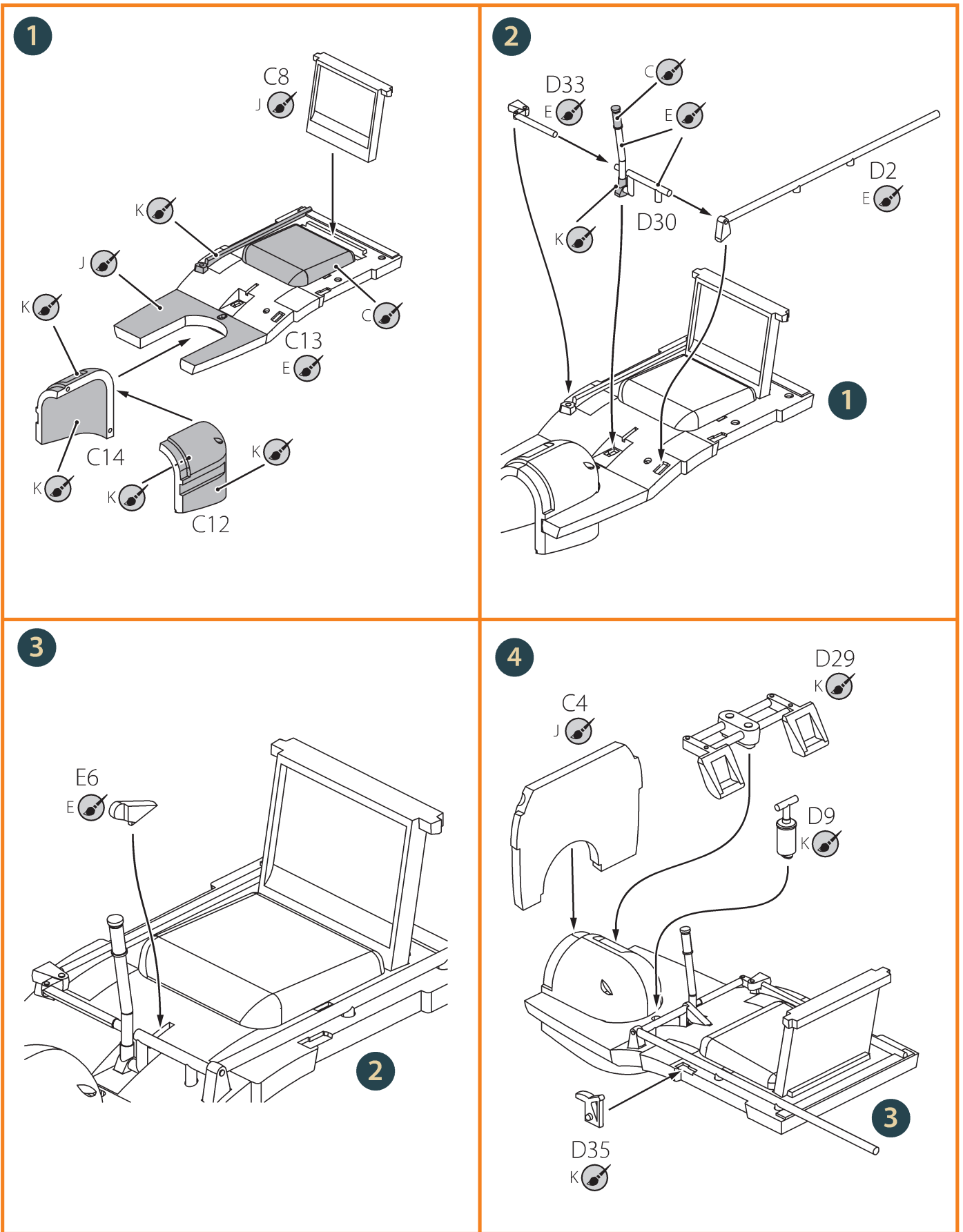
R1



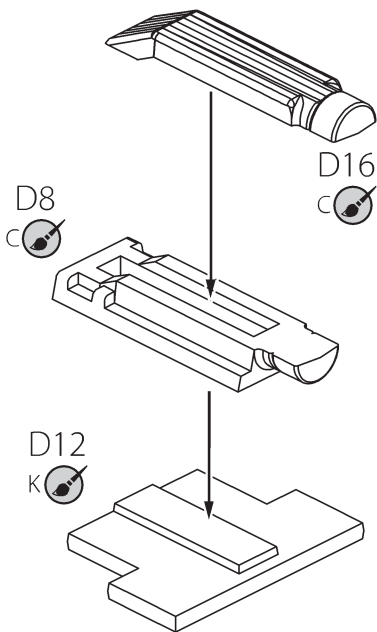
Parts not for use

DECAL SHEET

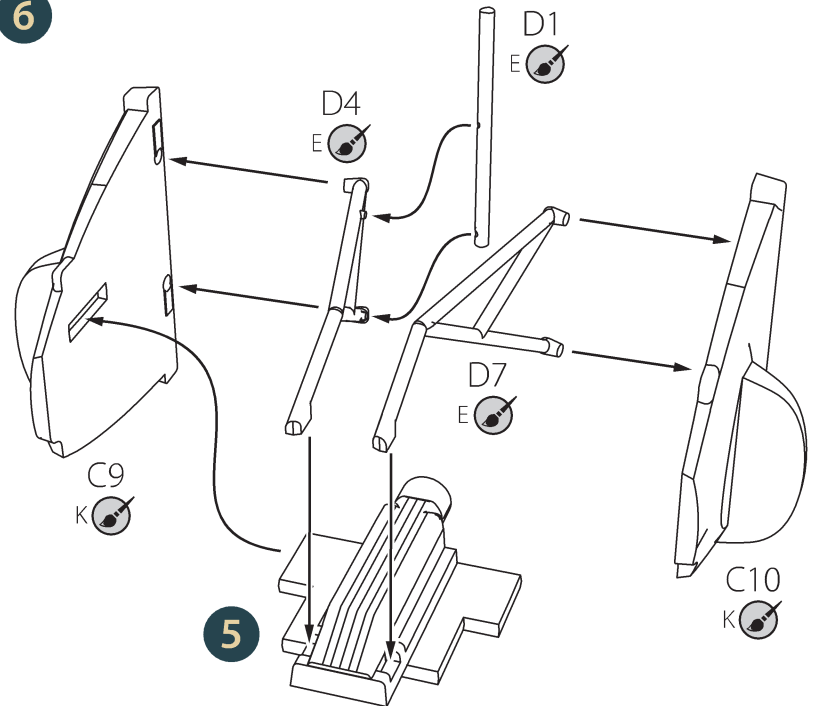




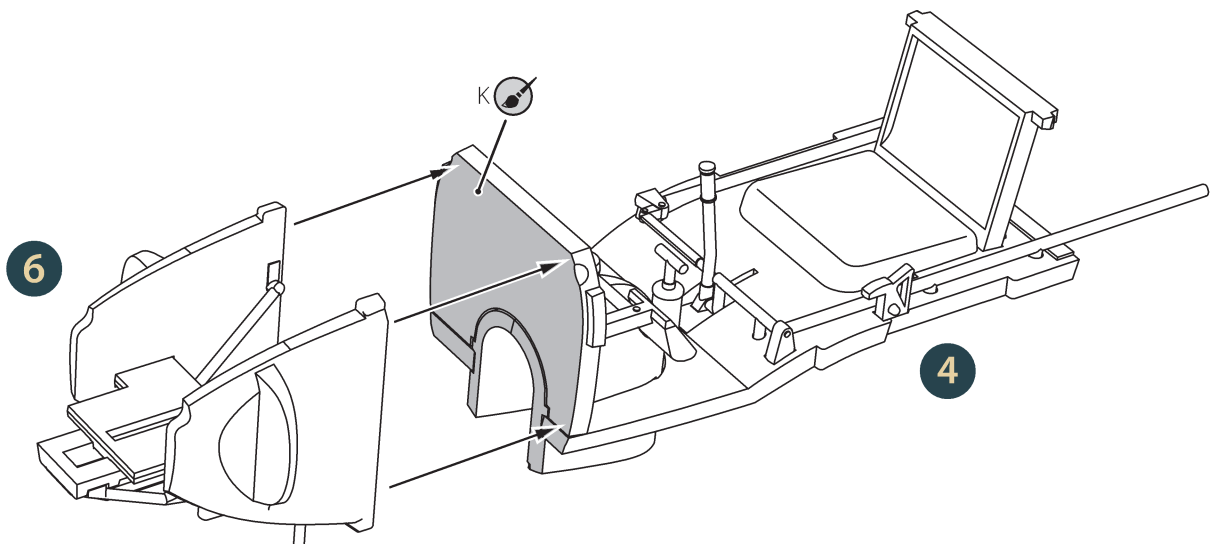
5

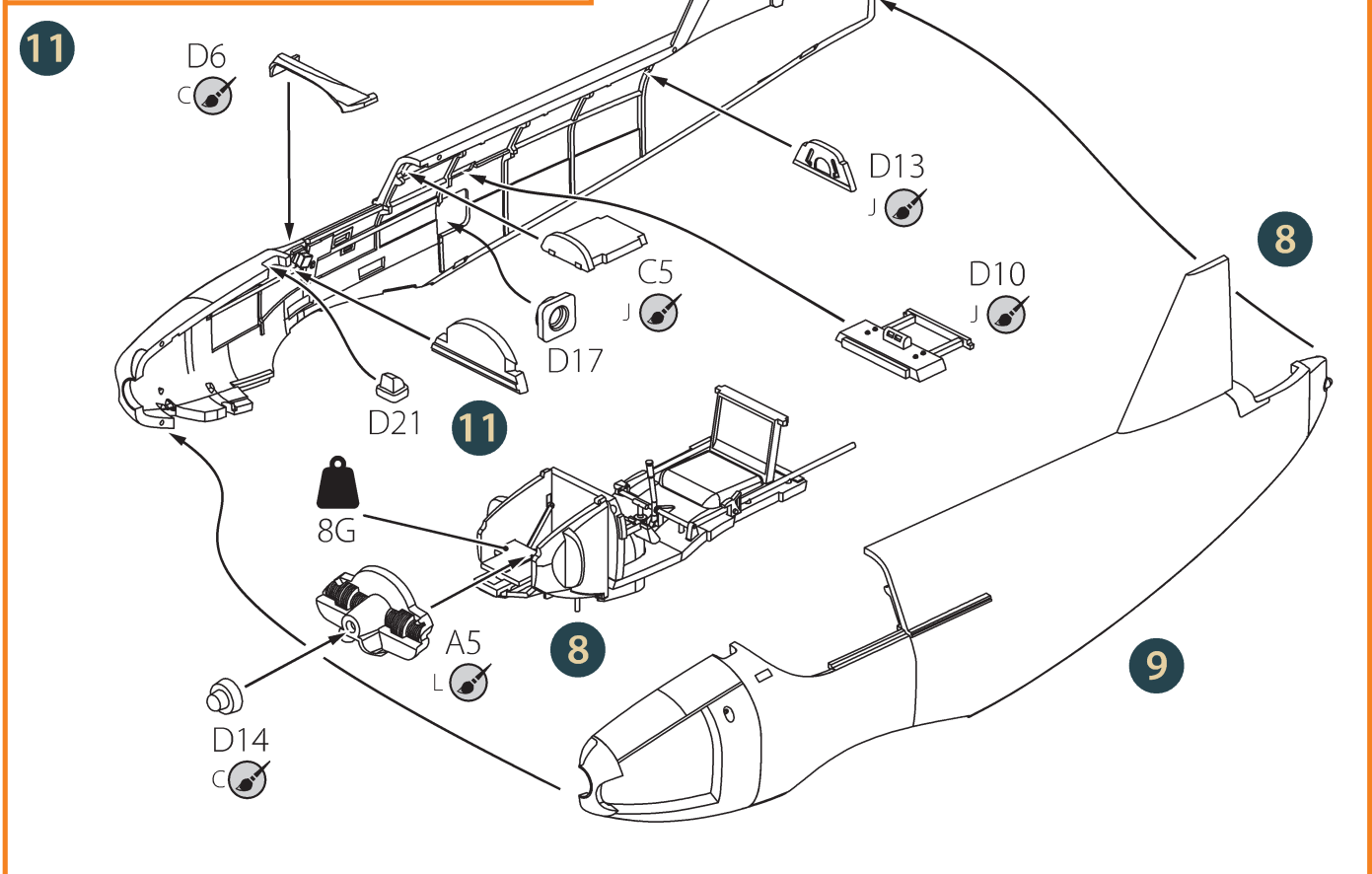
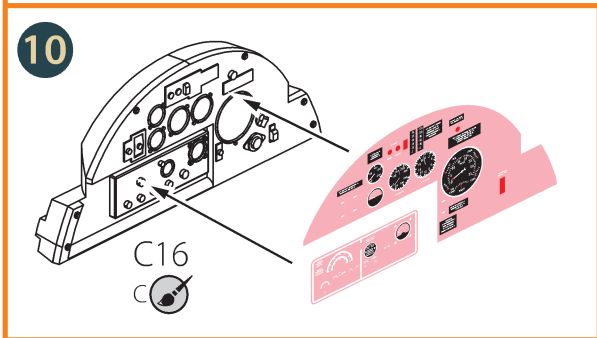
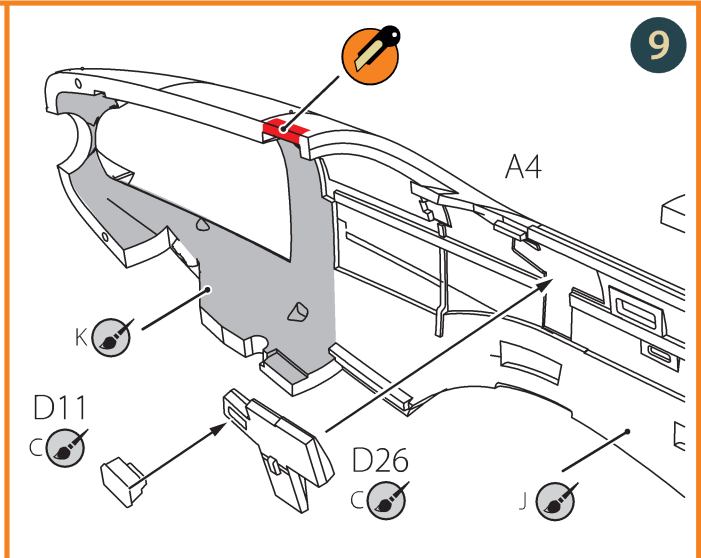
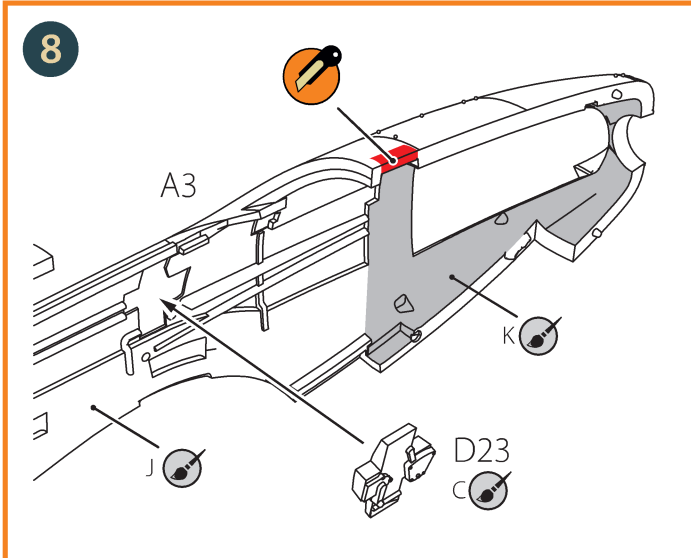


6

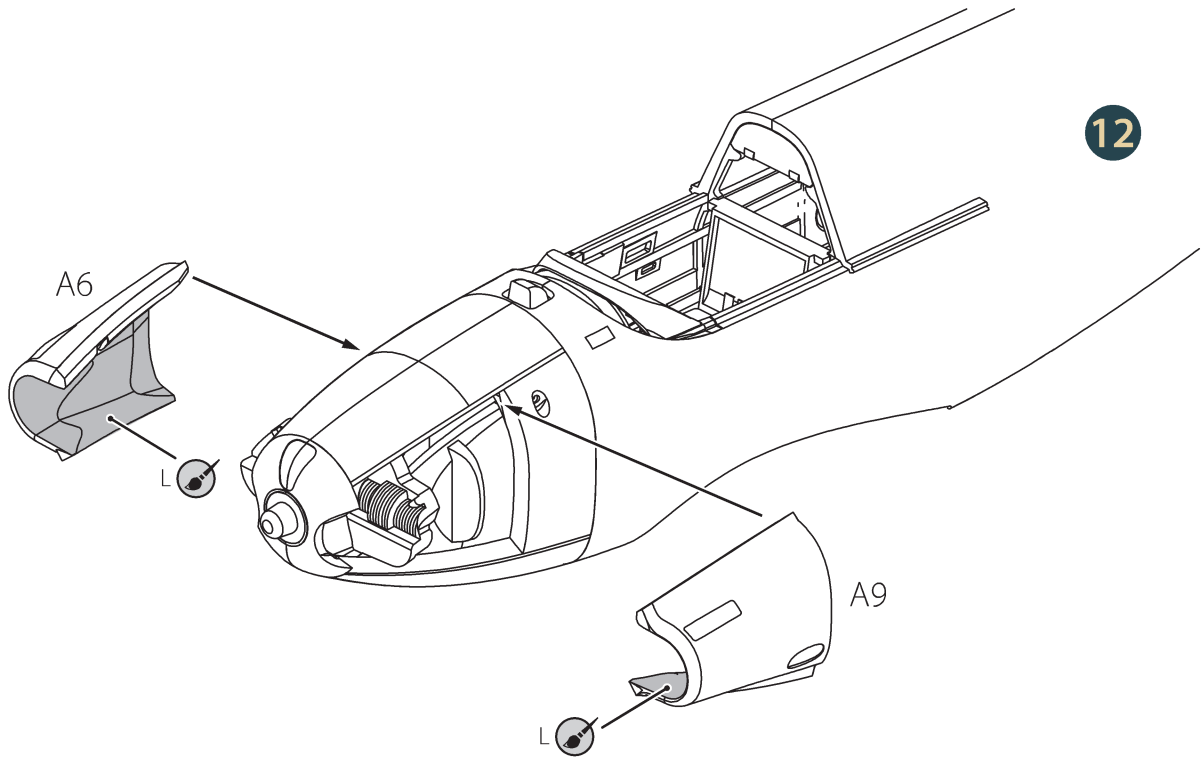


7

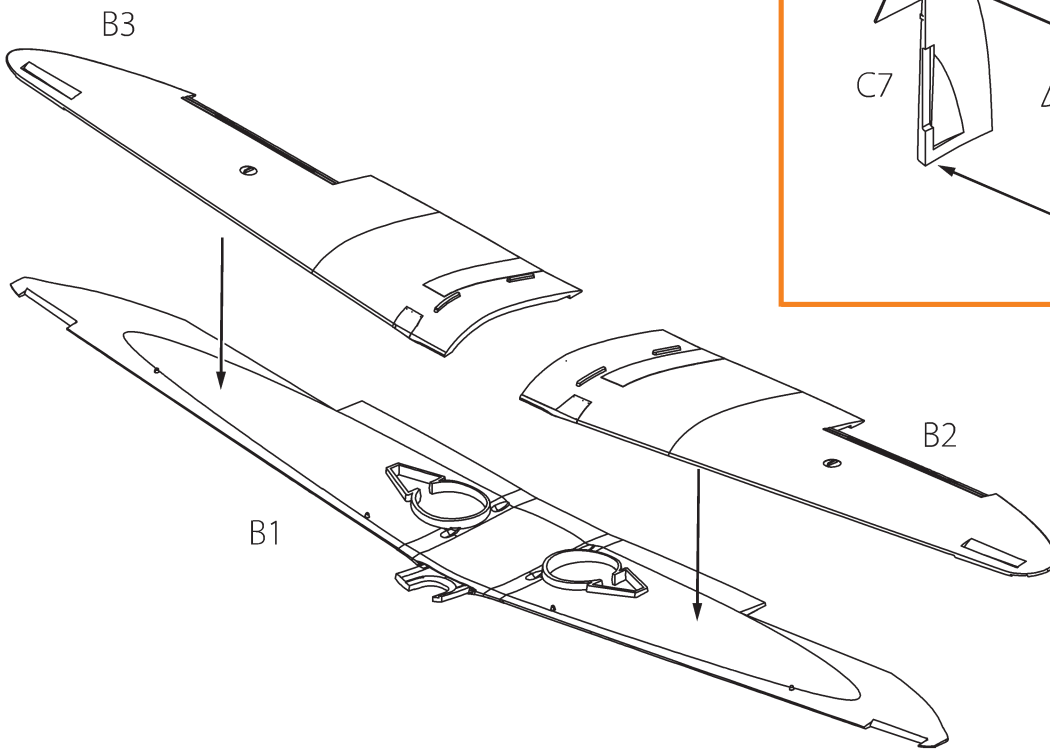




12

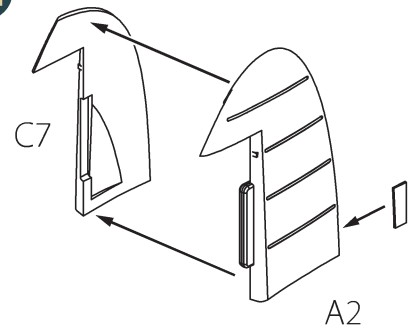


13

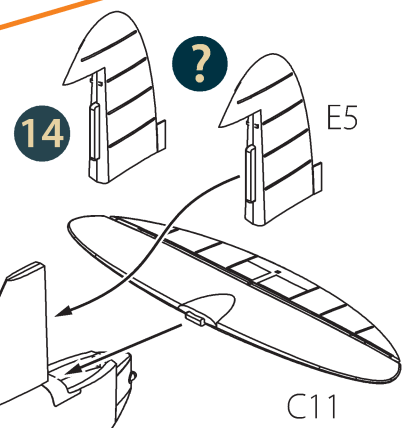
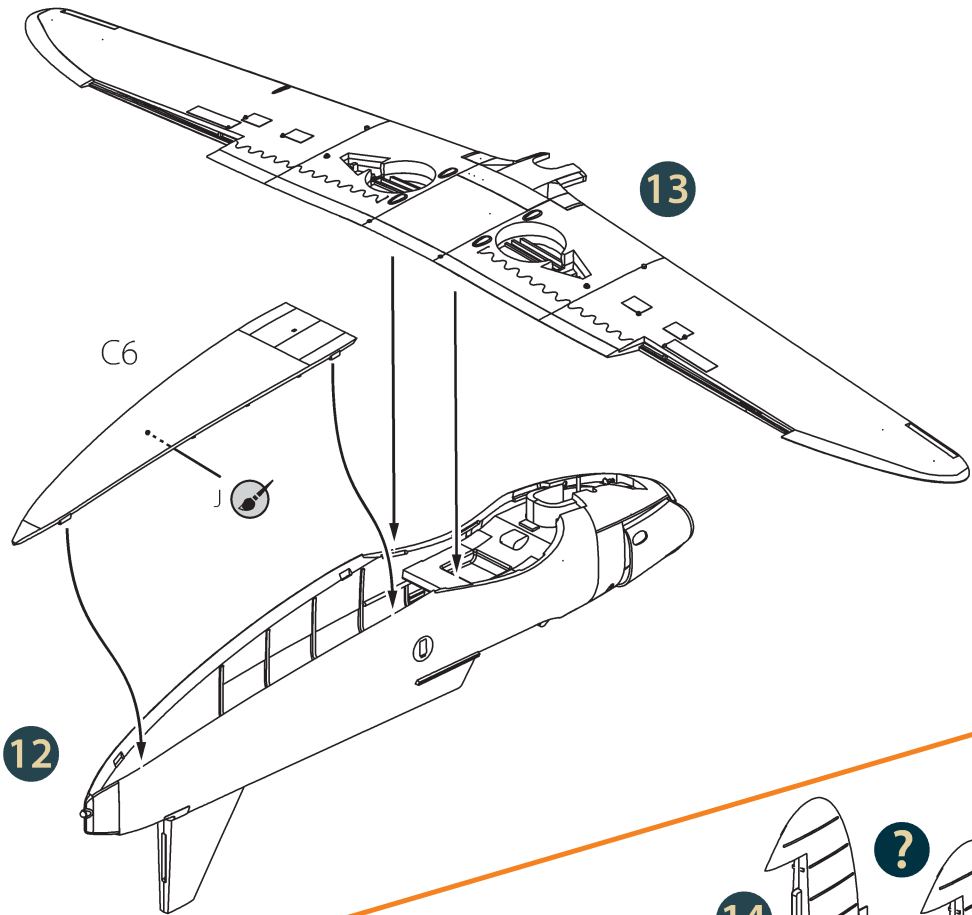


14

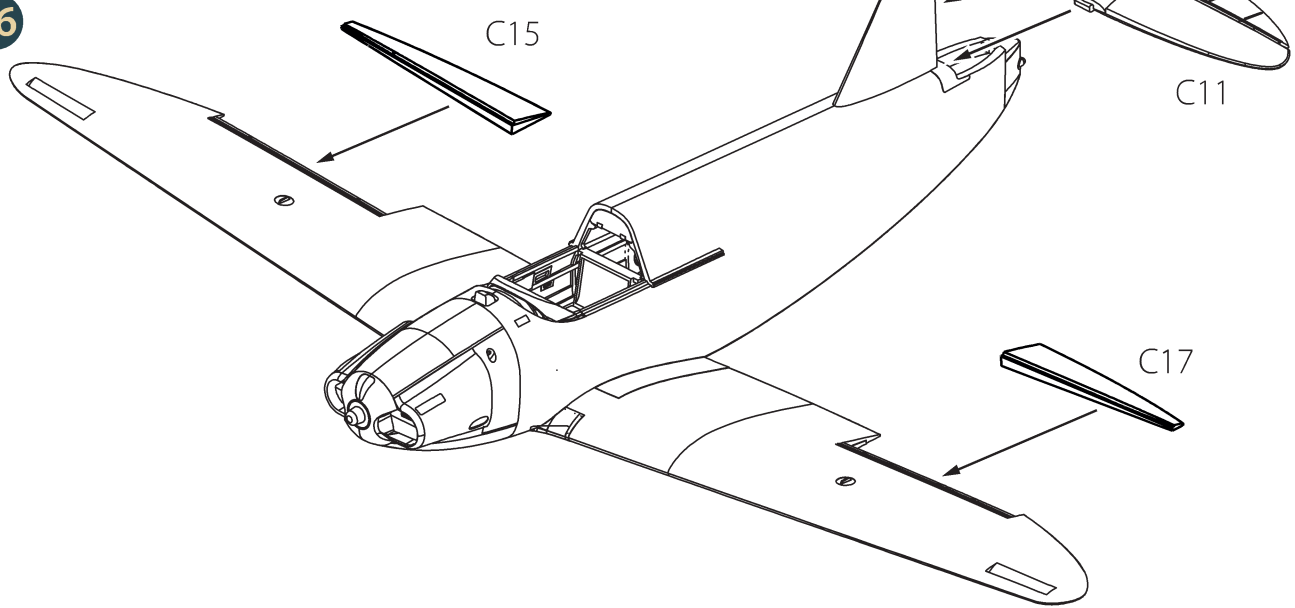
MAKE A TRIMMER YOURSELF

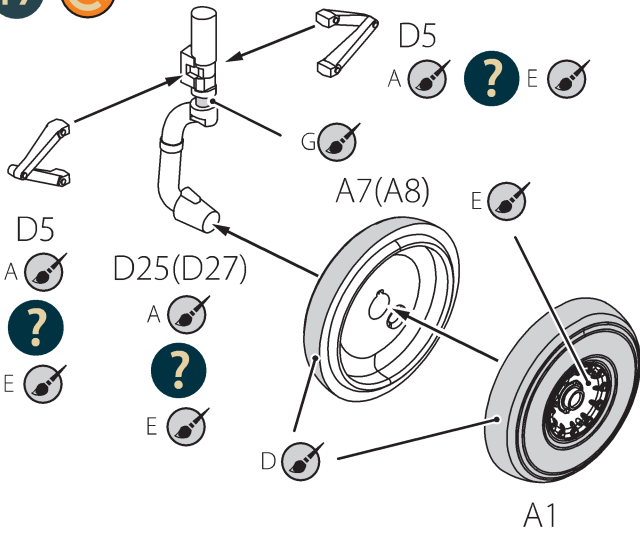
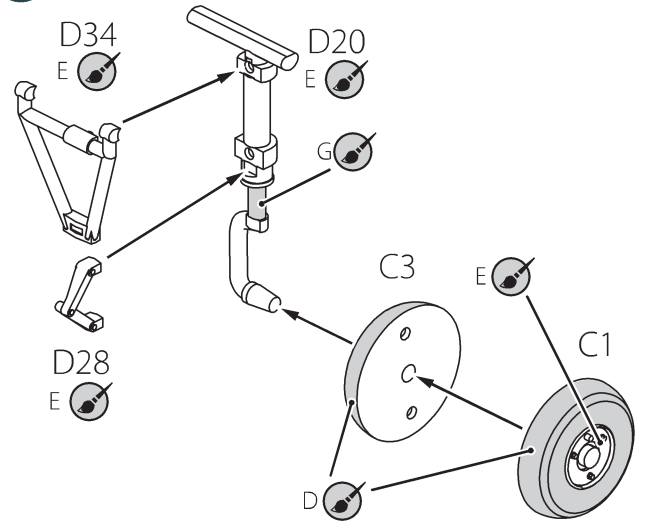
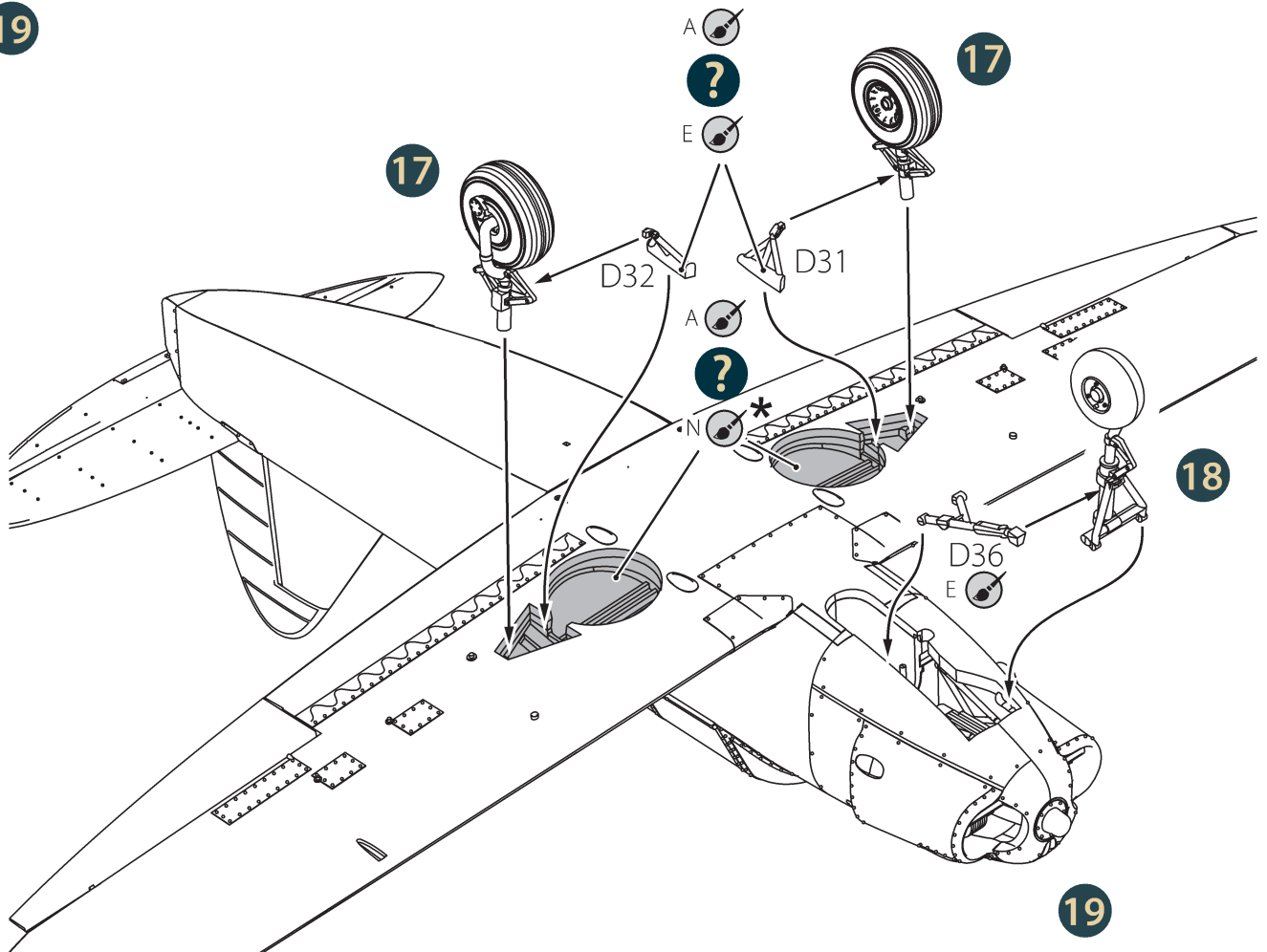


15



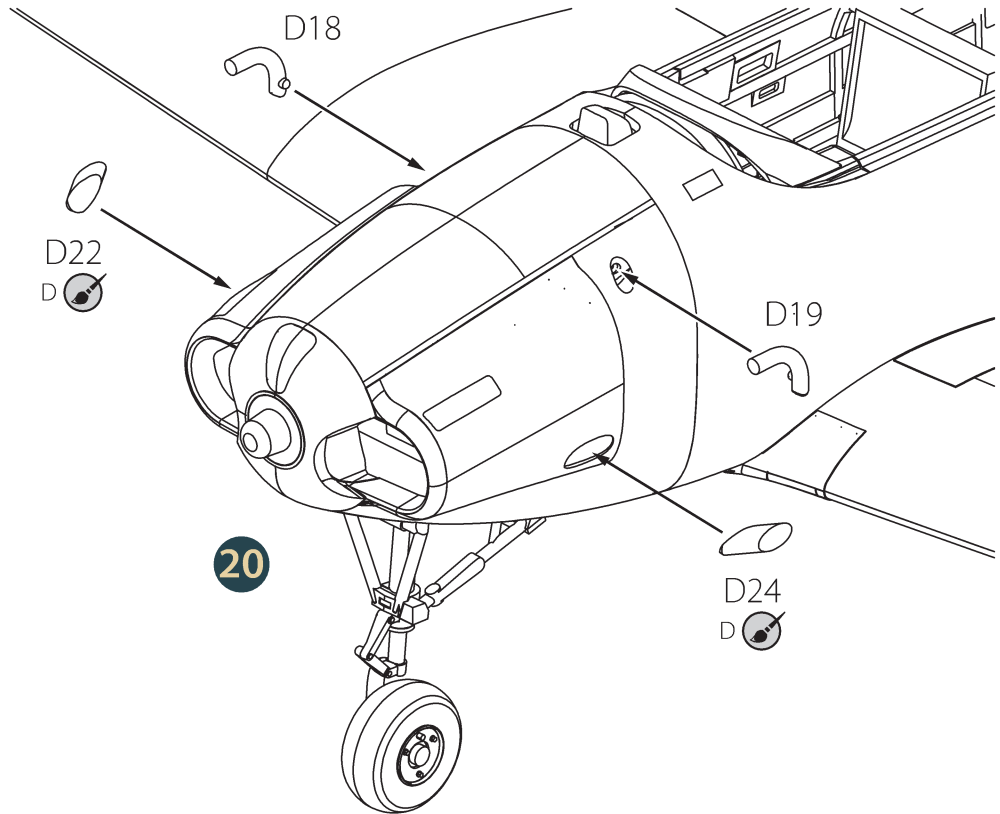
16



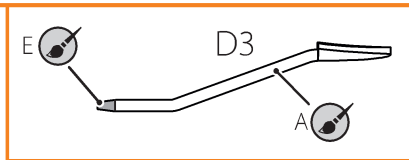
17 **2**

18

19


*for the paint scheme ①

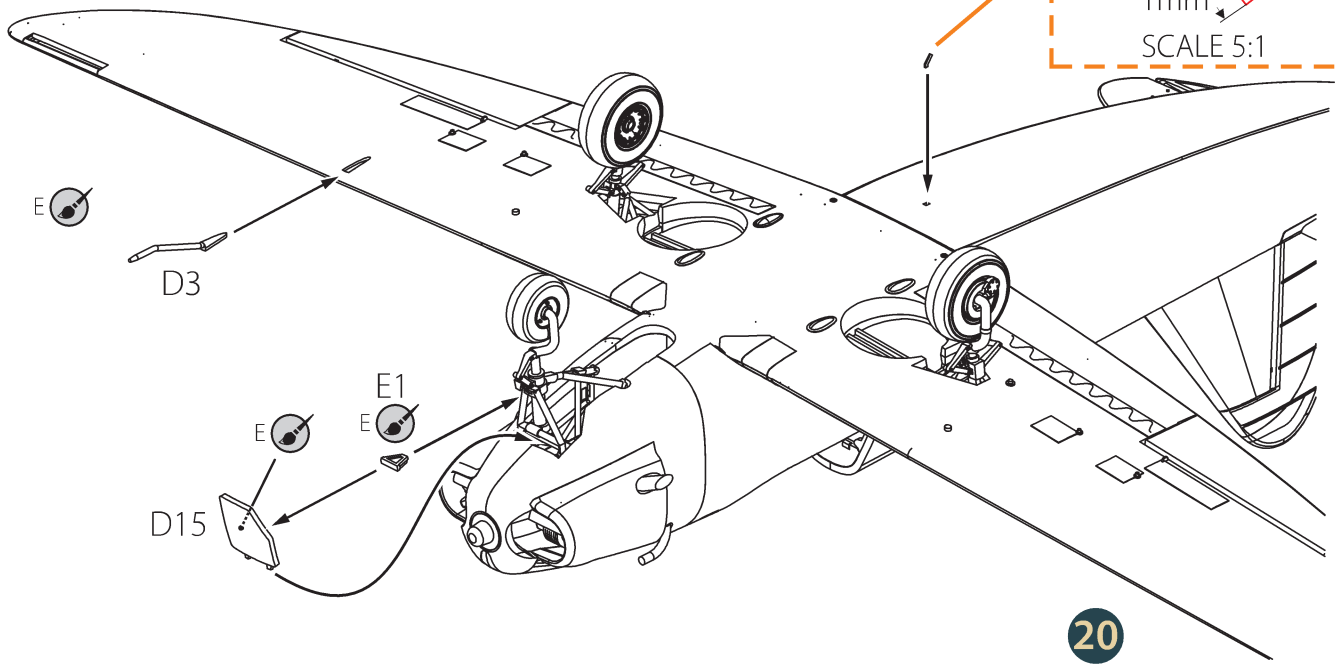
21



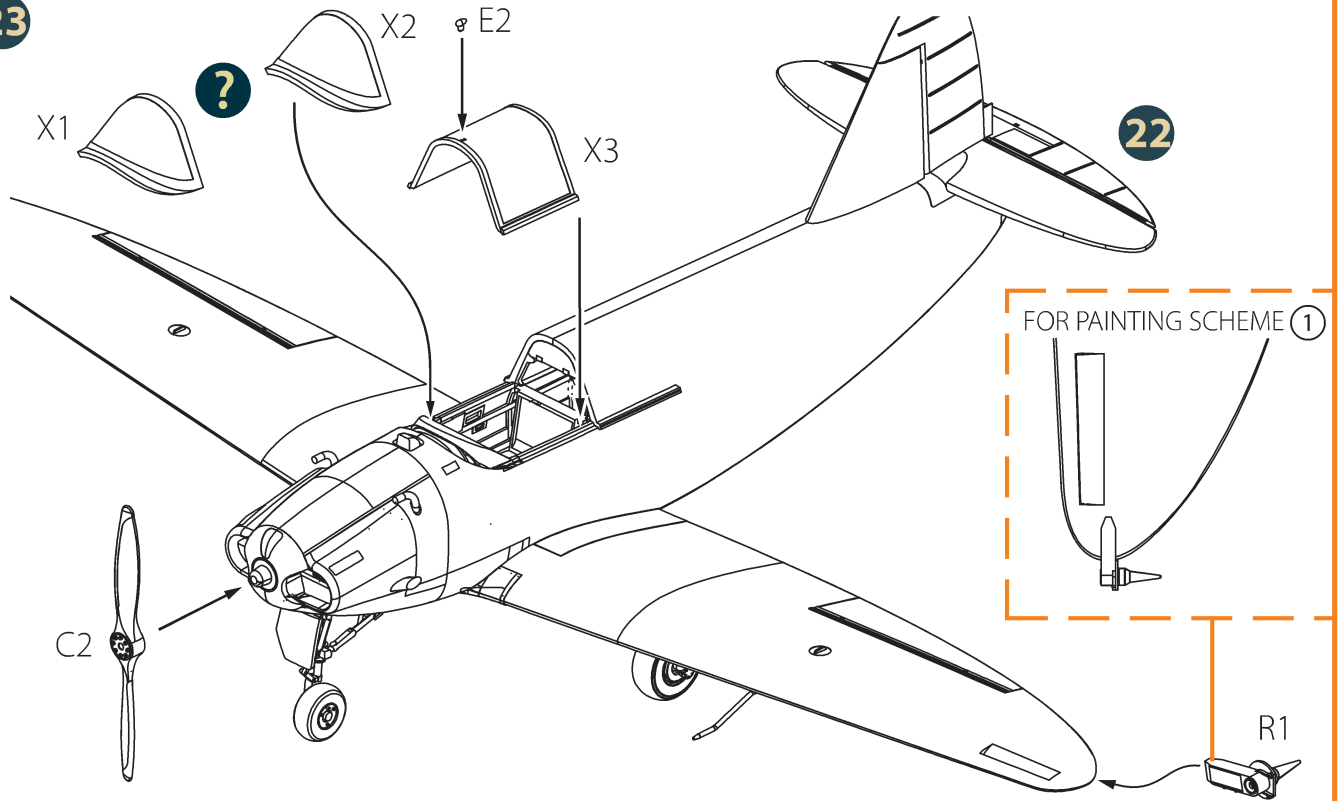
21



MAKE IT YOURSELF
0,3mm
0,35mm
1mm
SCALE 5:1

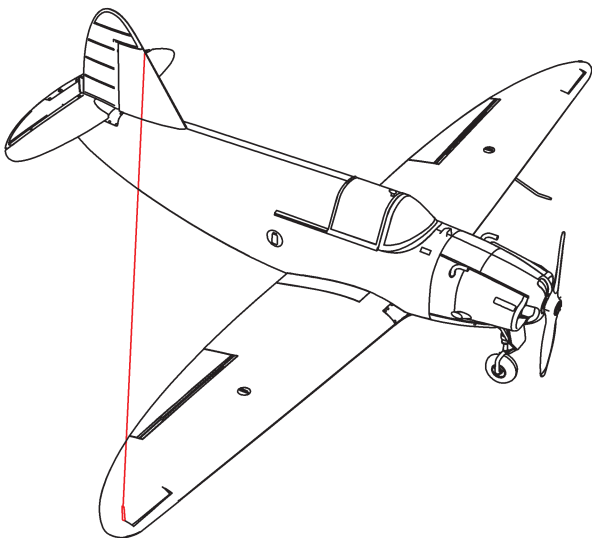


23

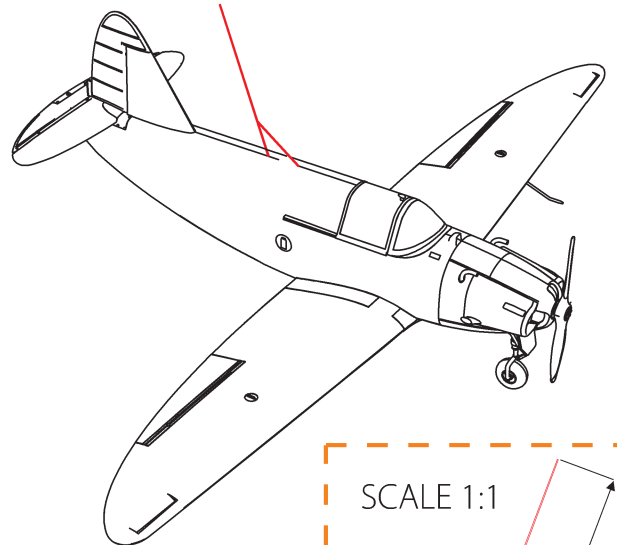


22

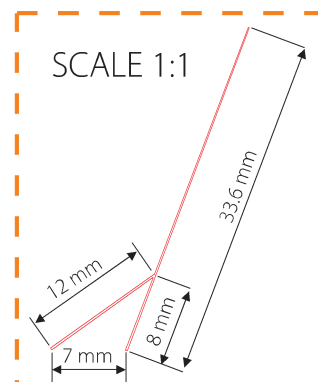
RADIO ANTENNA OPTIONS AND THEIR INSTALLATION



FOR PAINT SCHEME ①



FOR PAINT SCHEME ②





MR. COLOR 3
RED



MR. COLOR MC214
DARK IRON



MR. COLOR 219
BRASS



MR. COLOR 113
WOOD



MR. COLOR 313
WOOD

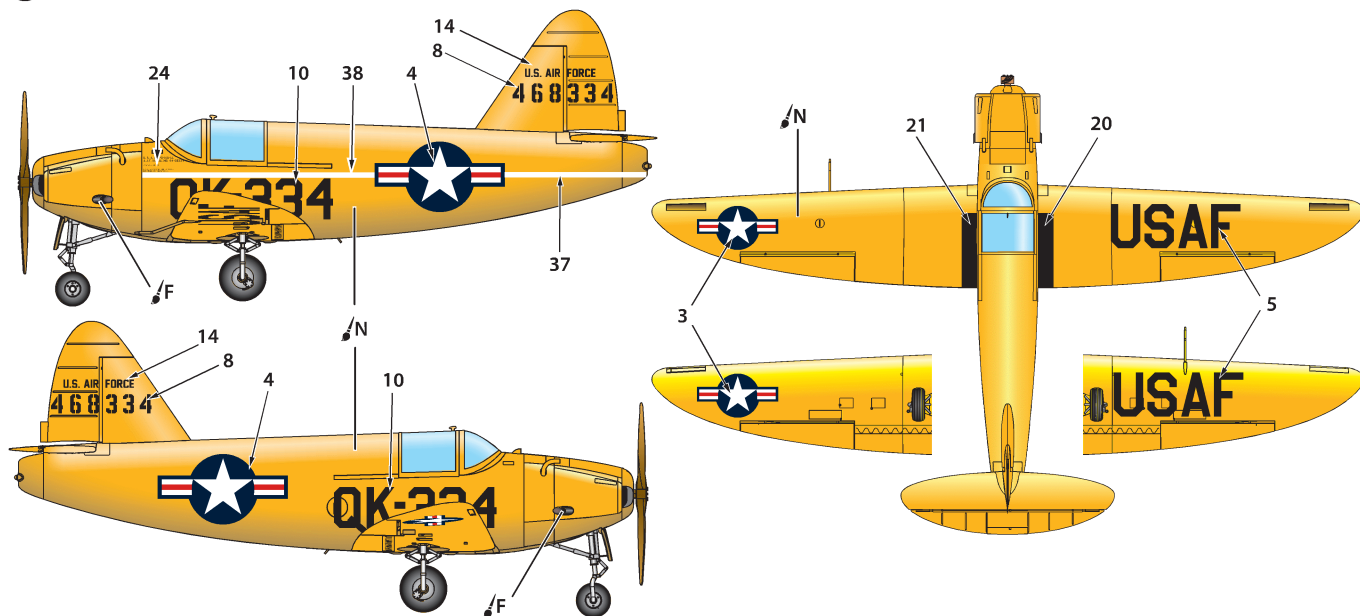


MR. COLOR 327
RED

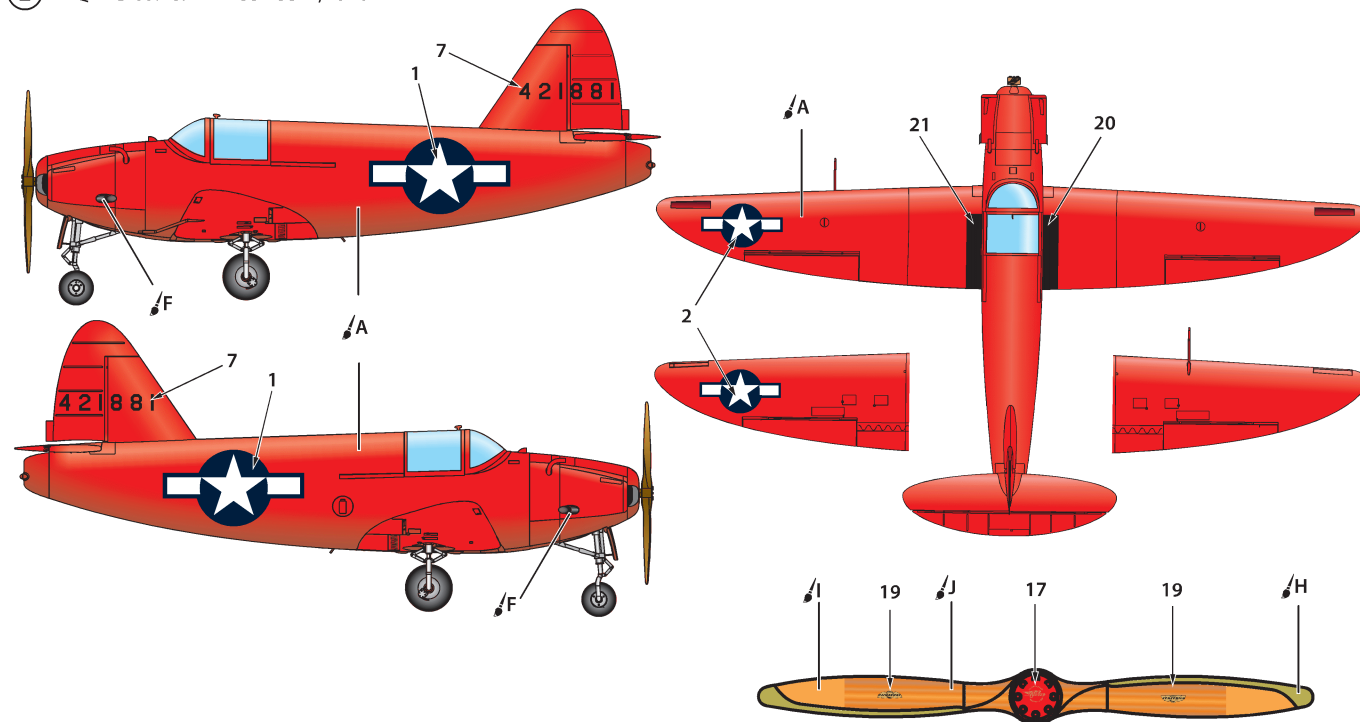


MR. COLOR 329
YELLOW

- ① PQ-14B bu.no. 44-68334 USAF, 1949, Wright Field airbase, used in TIPTOW wing tip experiments



- ② PQ-14B bu.no. 44-21881 USAF, 1940-x



for 1, 2, 3 variants



A
MR. COLOR 3
RED



F
MR. COLOR MC214
DARK IRON



H
MR. COLOR 219
BRASS



I
MR. COLOR 113
WOOD



J
MR. COLOR 313
WOOD

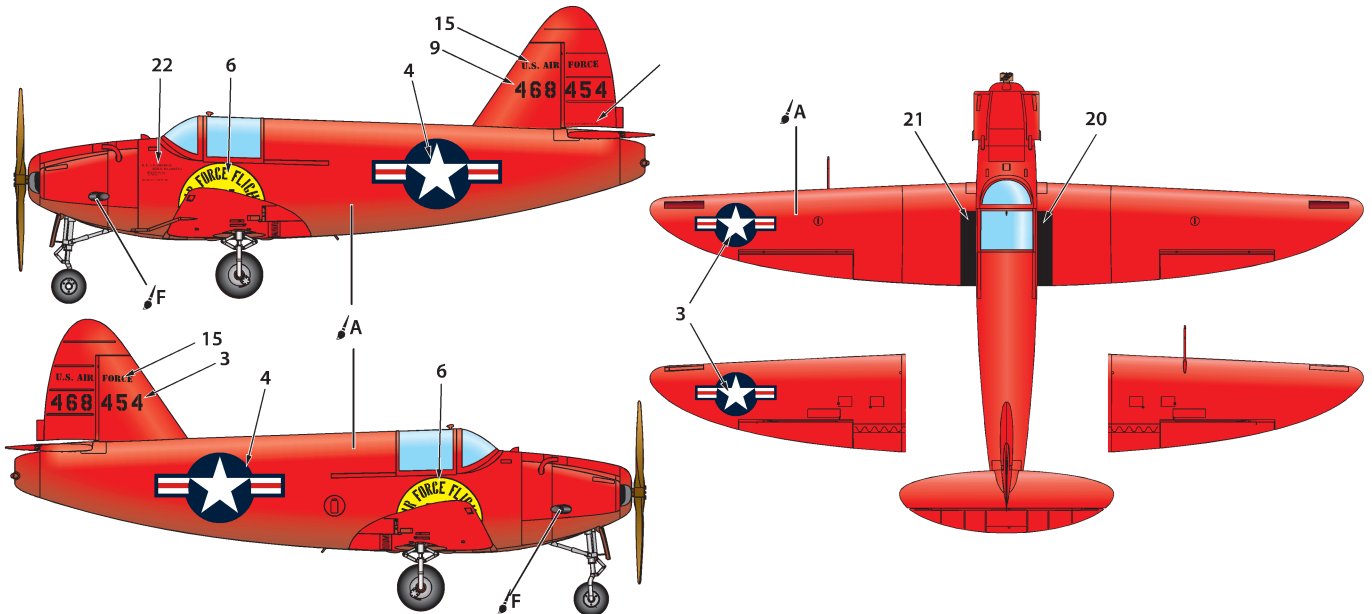


M
MR. COLOR 327
RED

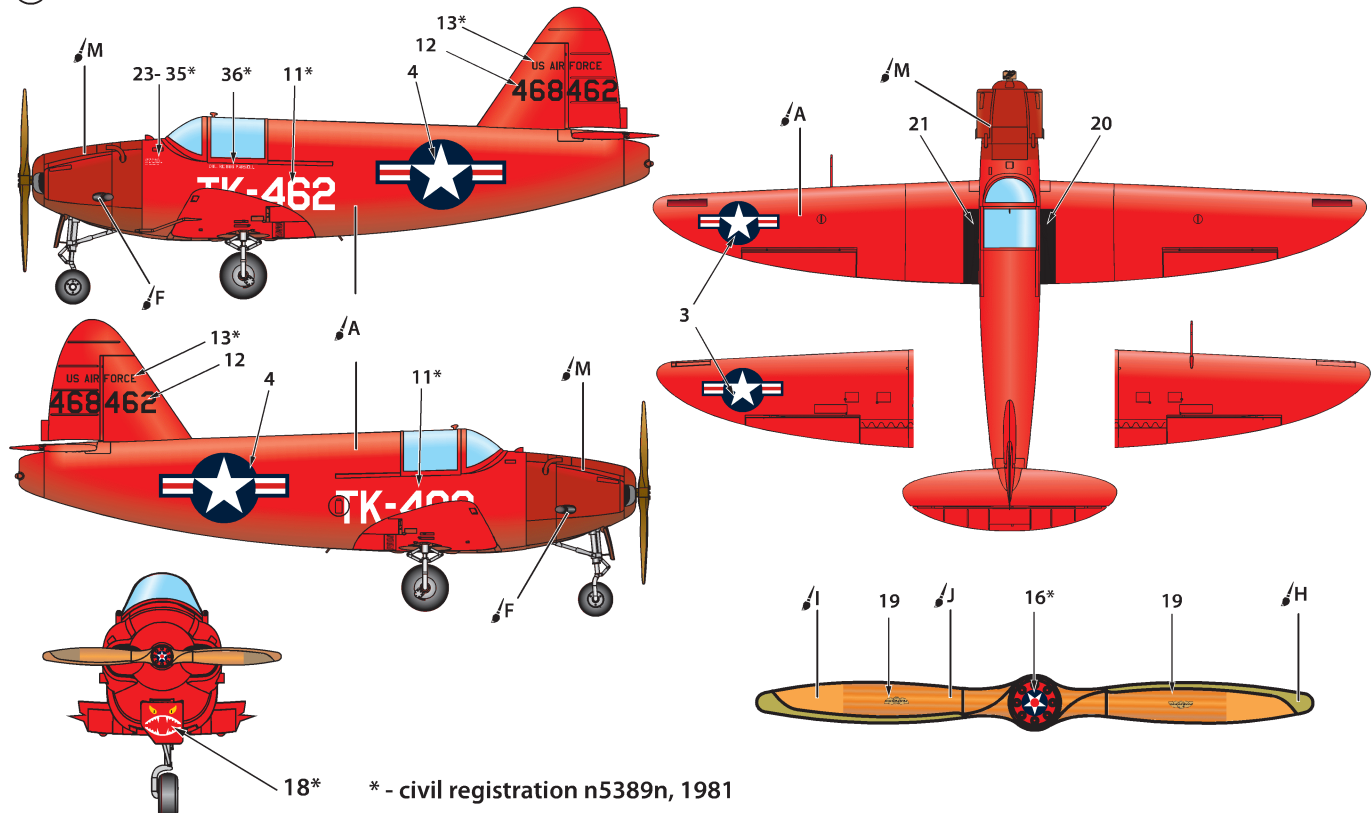


N
MR. COLOR 329
YELLOW

③ PQ-14B bu.no. 44-68454 USAF, 1940-x Air force flight test center, Muroc airbase



④ PQ-14B bu.no. 44-68462 USAF, 1940-x



* - civil registration n5389n, 1981