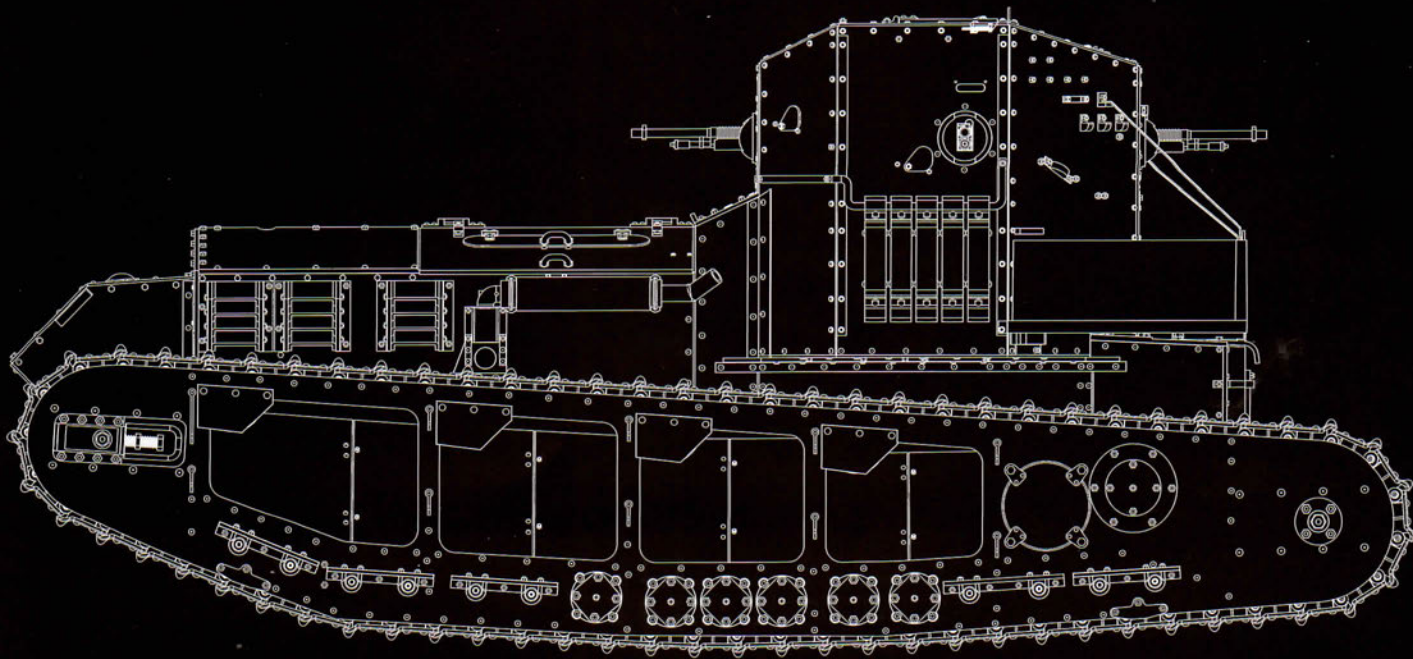


WWI MEDIUM TANK

Mk.A WHIPPET

The Mk.A Whippet medium tank was a British tank of the First World War. It was intended to complement the slower British heavy tanks by using its relative mobility and speed in exploiting any break in the enemy lines. Whippets later took part in several of the British Army's postwar actions, notably in Ireland, North Russia and Northeast China. A few (perhaps six) were exported to Japan, where they remained in service until around 1930.

This armoured fighting vehicle was intended for fast mobile assaults. Although the track design appears more "modern" than the British Tanks Mark I to V, it was directly derived from Little Willie, the first tank prototype, and was unsprung. The crew compartment was a fixed, polygonal turret at the rear of the vehicle, and two engines of the type used in contemporary double-decker buses were in a forward compartment, driving one track each.



READ BEFORE ASSEMBLY

CAUTION

- Read carefully and fully understand the instructions before commencing assembly. A supervising adult should also read the instructions if a child assembles the model.
- When assembling this kit, tools including knives used. Extra care should be taken to avoid personal injury.
- Keep out of reach of small children. Children must not be allowed to suck any part, or pull vinyl bag over their heads.



Instant Glue
for Metal



Do Not
Cement



Painting



Bend



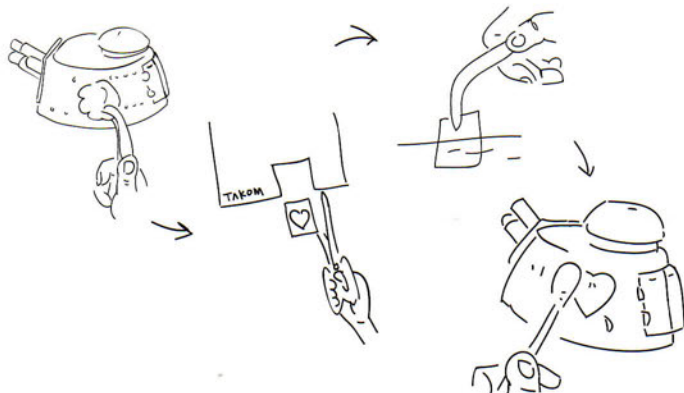
Be Careful

PAINTS REQUIRED

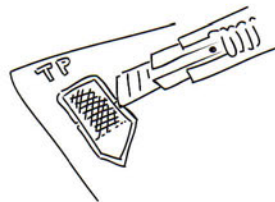
Color info and profiles by Mig Jimenez

APPLYING DECALS

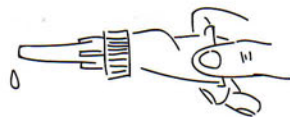
1. Clean the model surface with a wet cloth.
2. Cut out each decal design from sheet, and dip it in tepid water for 15-20 sec.
3. Hold the backing sheet edge and slide decal onto the model.
4. Move decal into position by wetting decal with finger.
5. Press decal gently down with a soft cloth until excess water and air bubbles are gone.



REMOVING PE



Be careful not to hurt when removing PE parts.

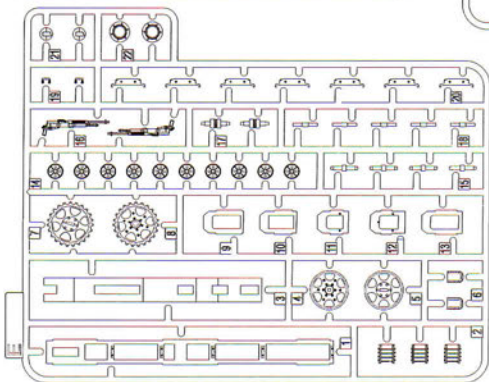
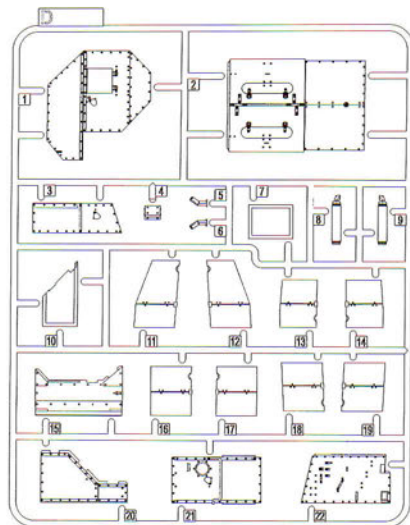
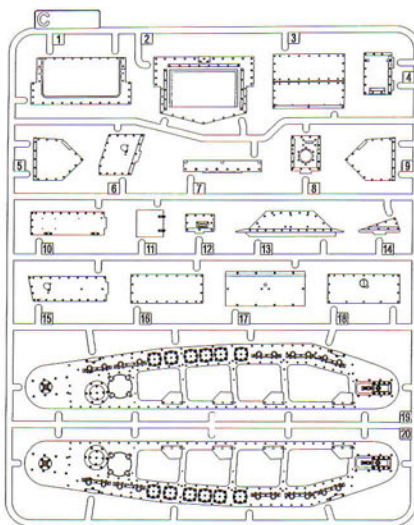
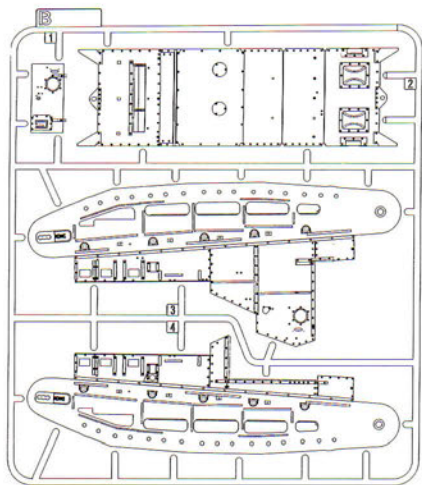


Secure using instant glue (not included).

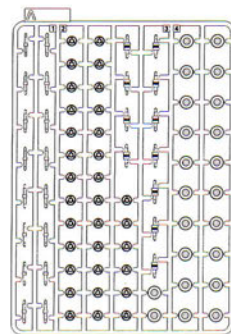


Finish using file.

PARTS



x2



x2



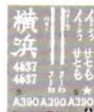
PE

Tracks
x146



Decal

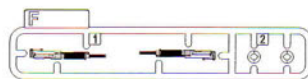
Only for #2025x Limited Edition



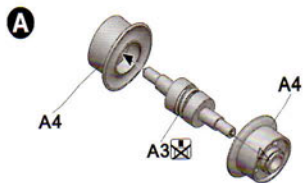
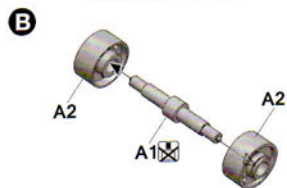
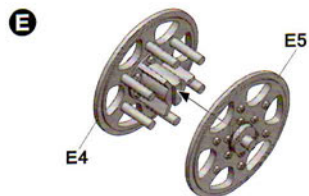
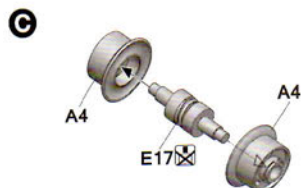
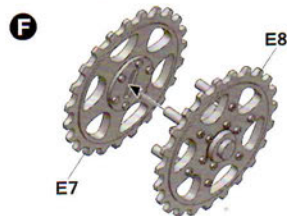
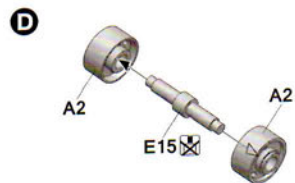
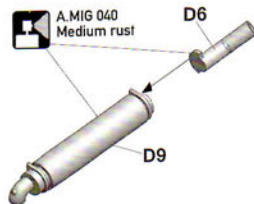
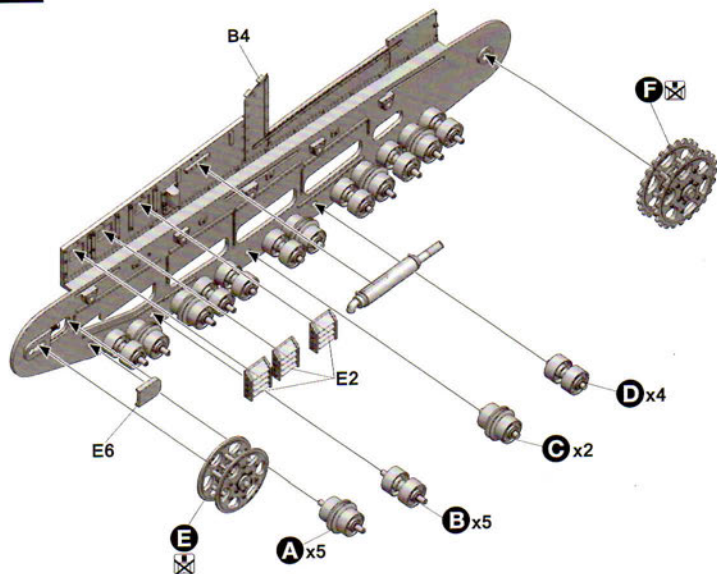
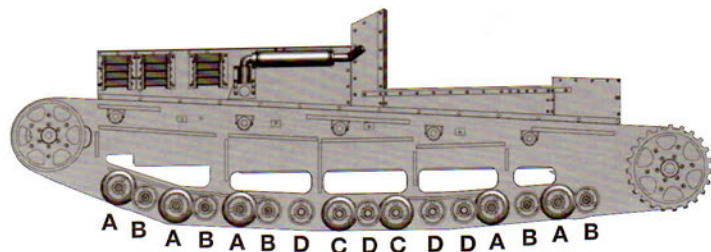
Resin figure

日本限定版
1,680

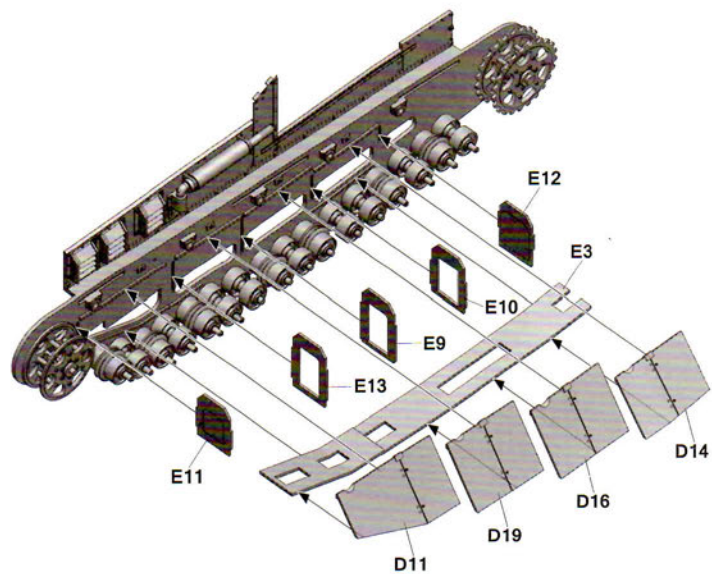
Decal



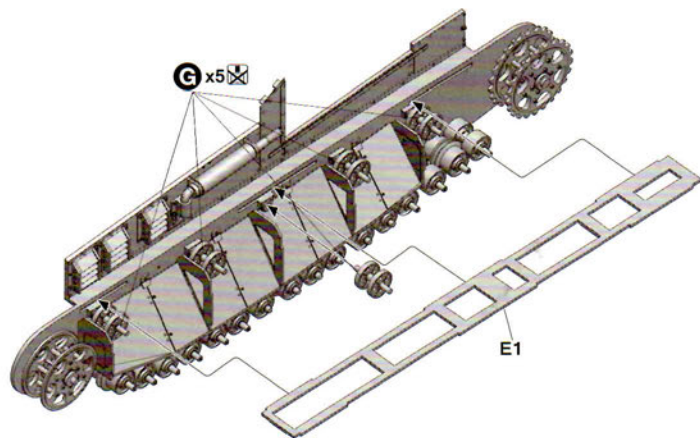
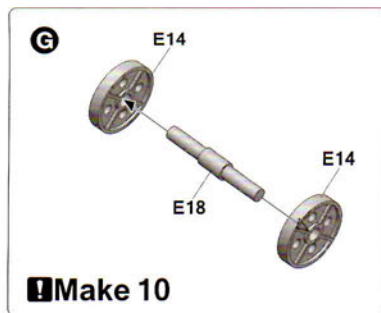
x2

1**Make 10****2****Make 2****Make 4****Make 8****3****4**

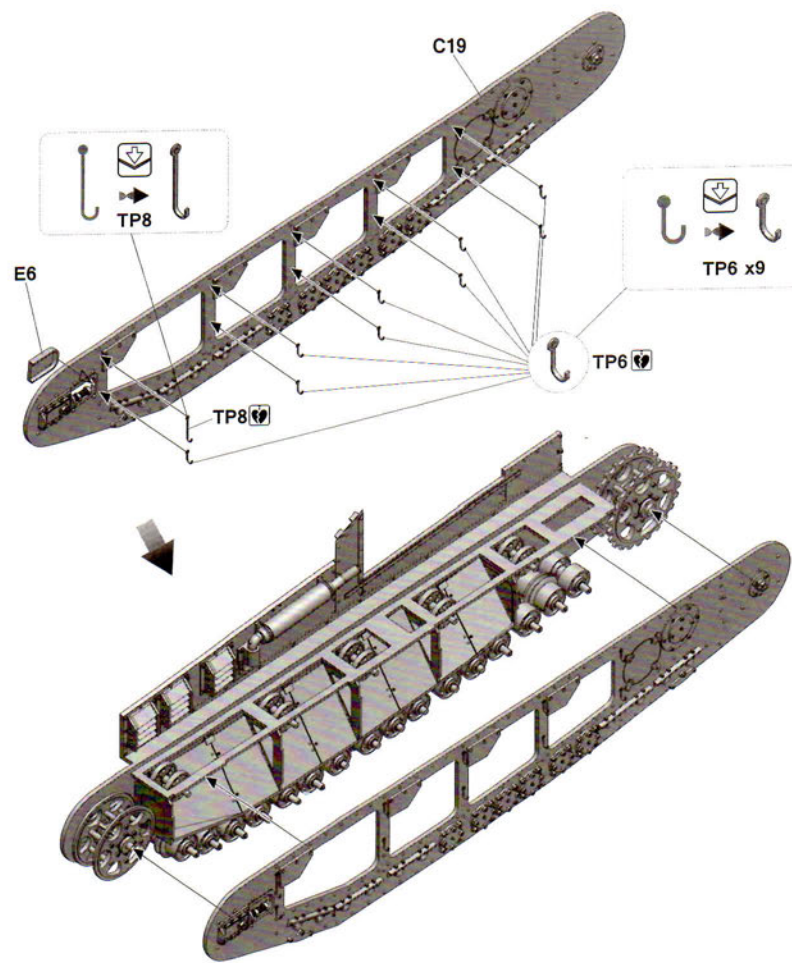
5



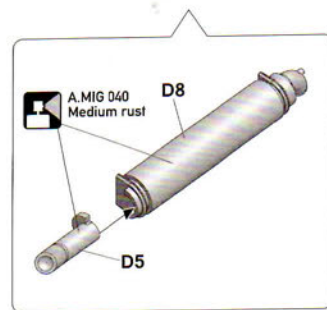
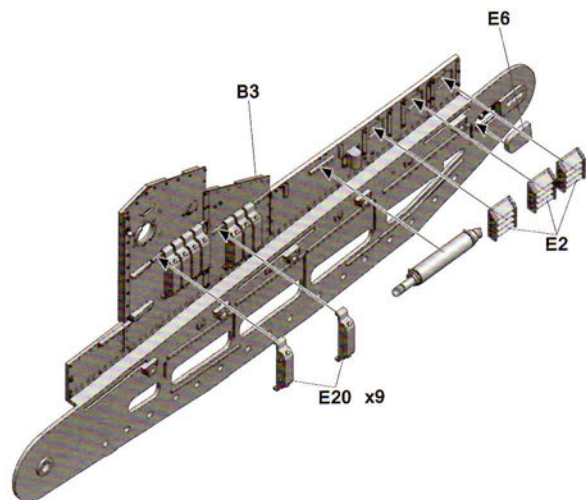
6



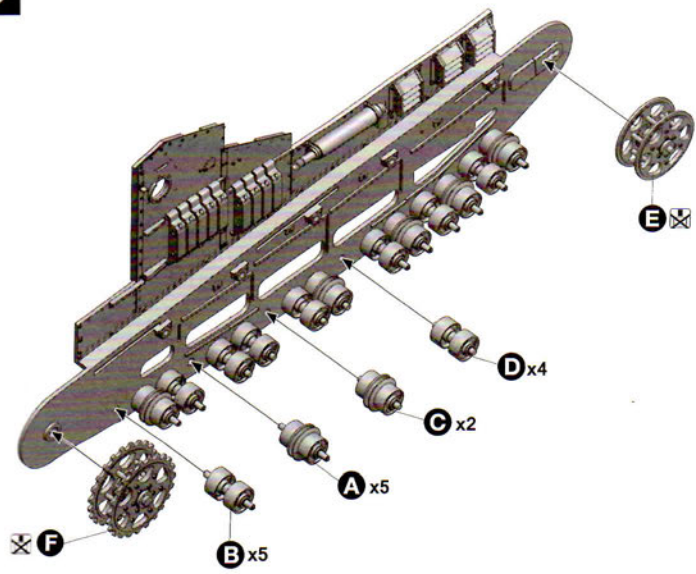
7



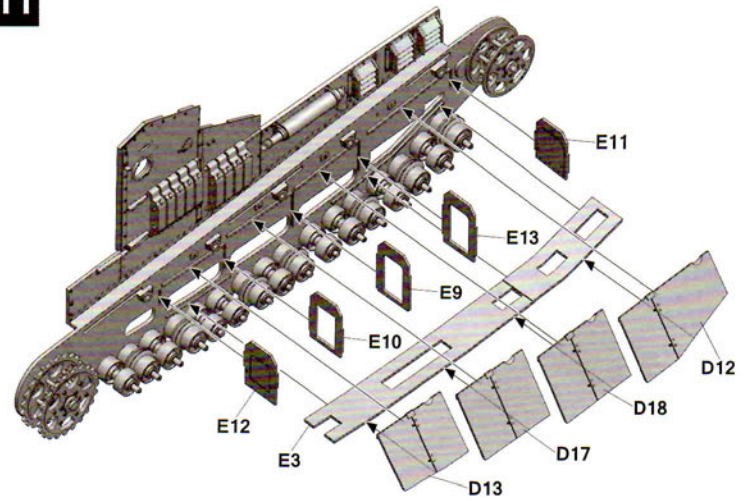
8



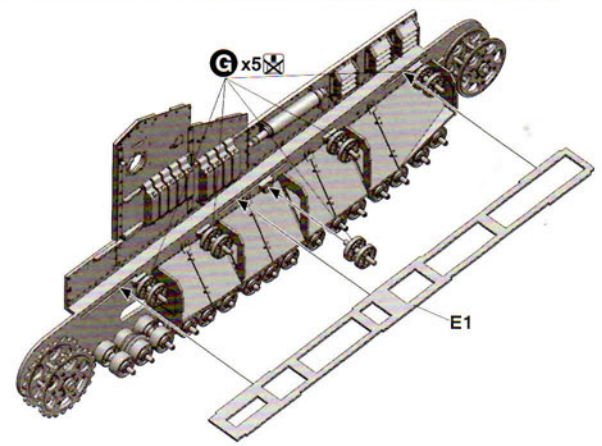
9



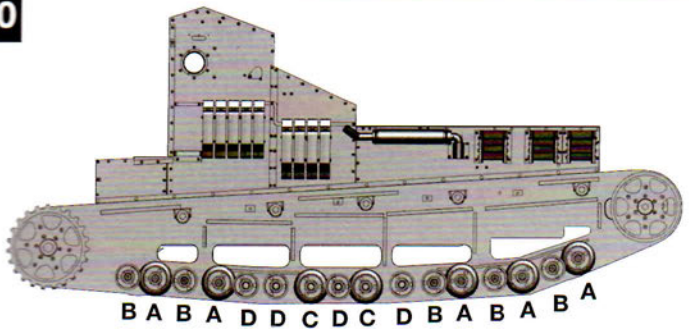
11



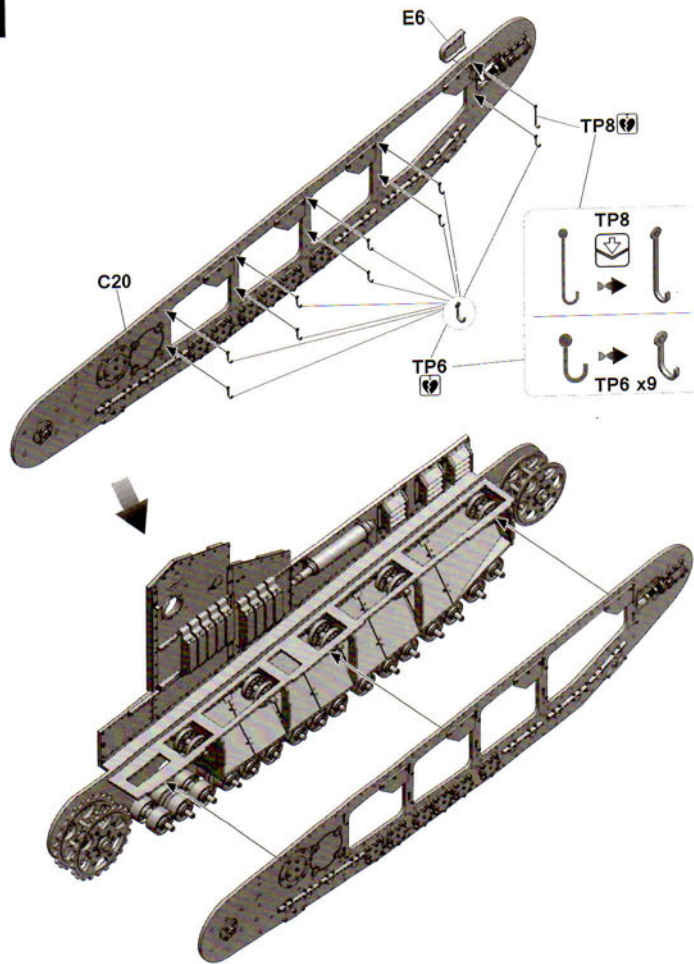
12



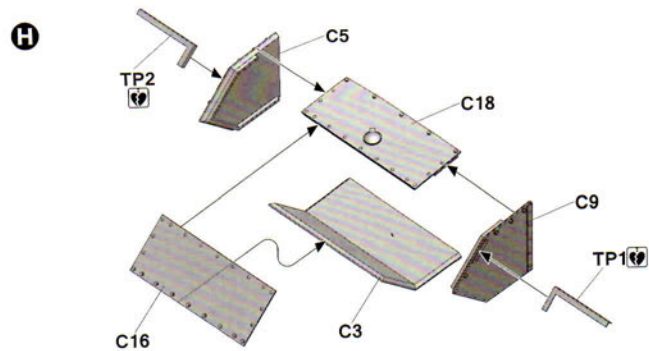
10



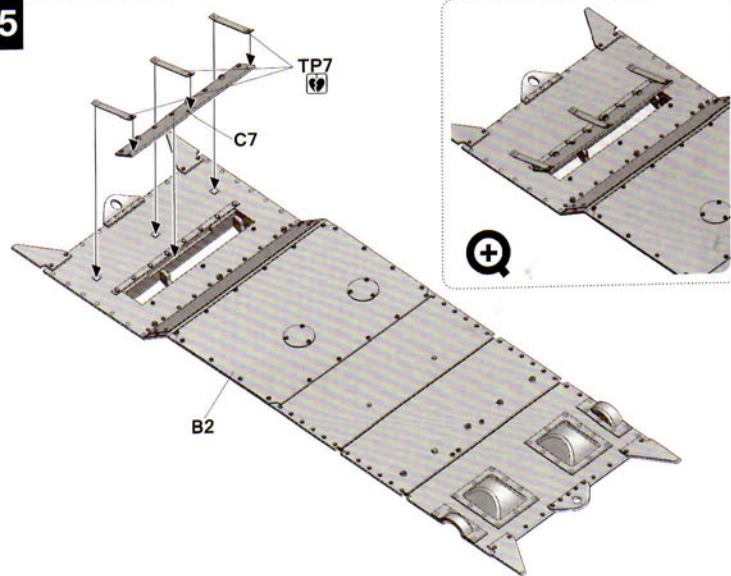
13



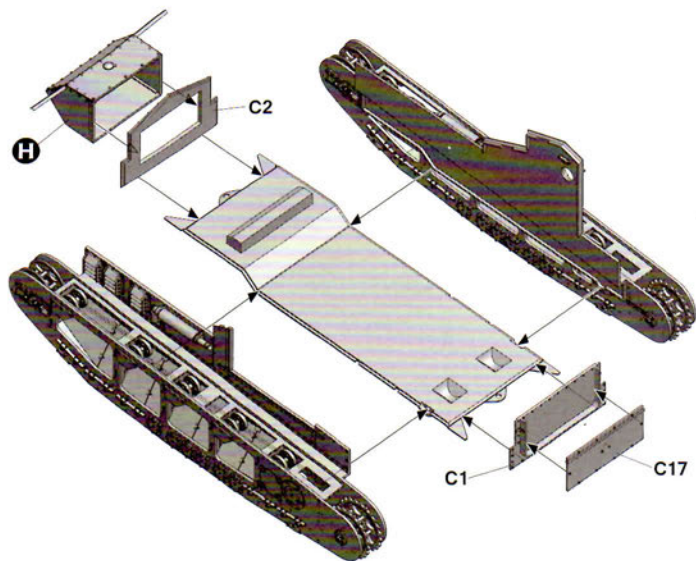
14



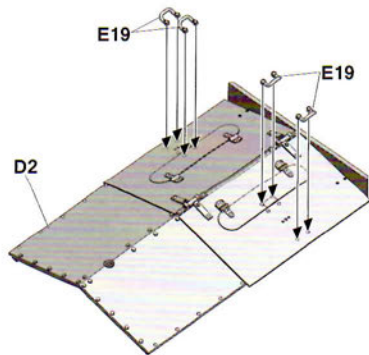
15



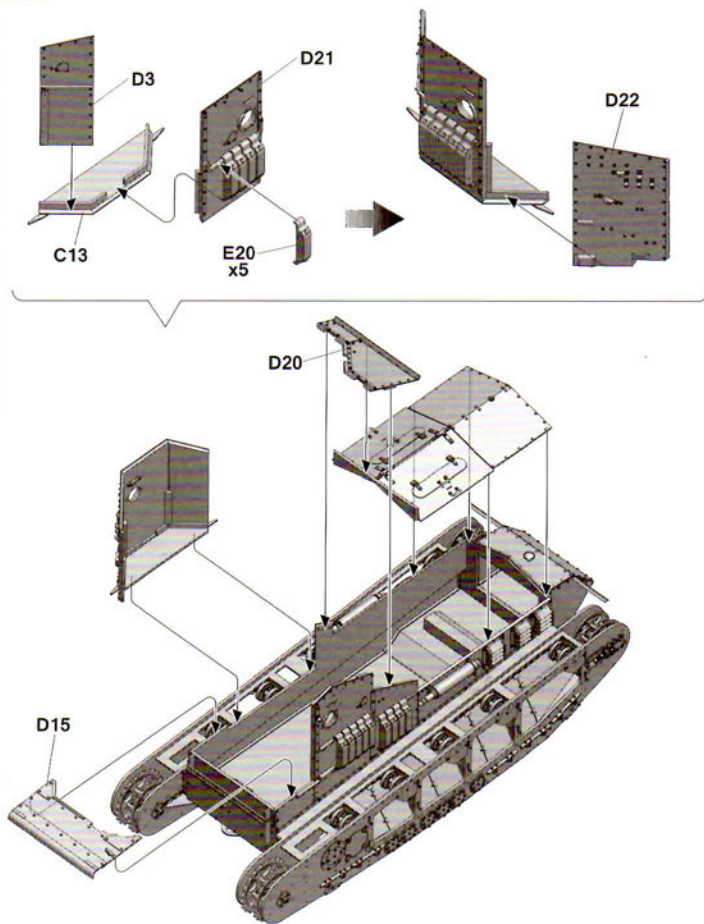
16



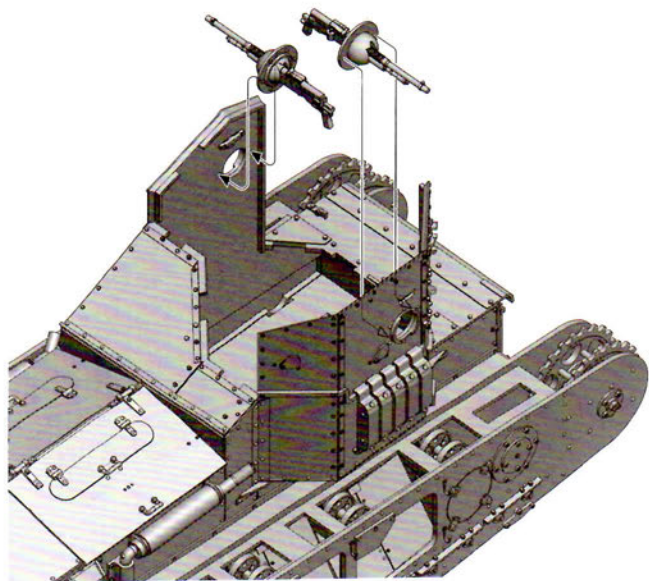
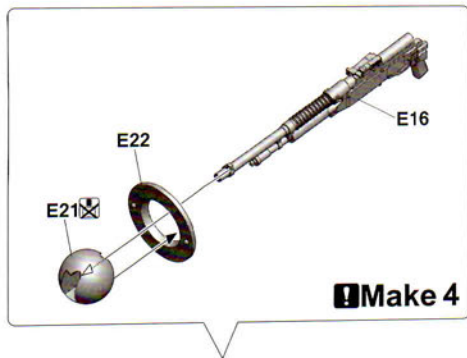
17



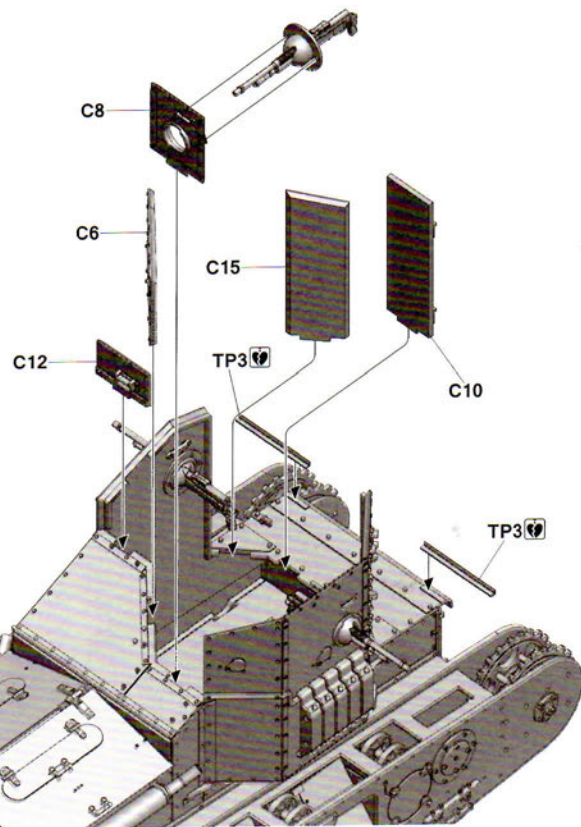
18



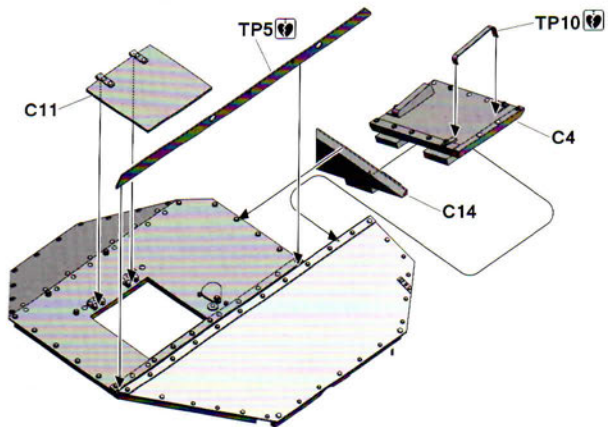
19



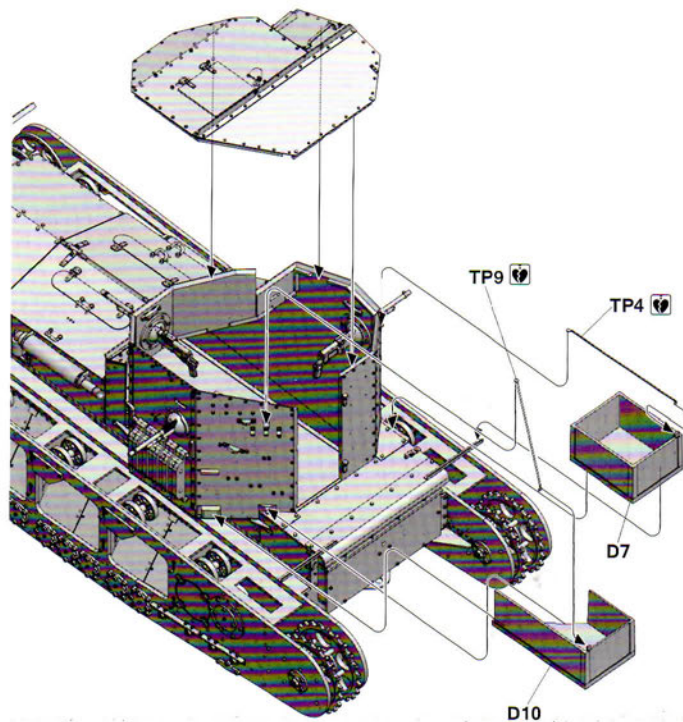
20



21

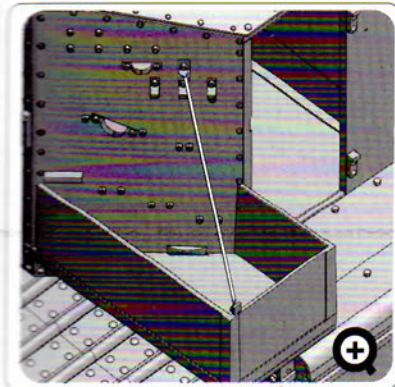


22

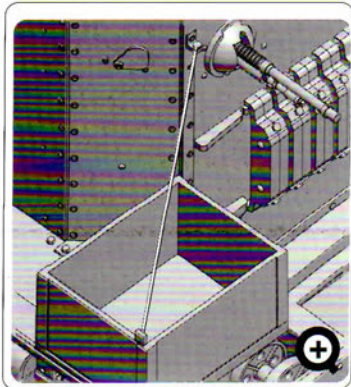


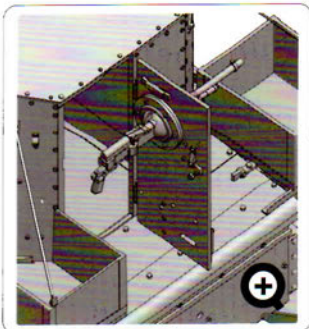
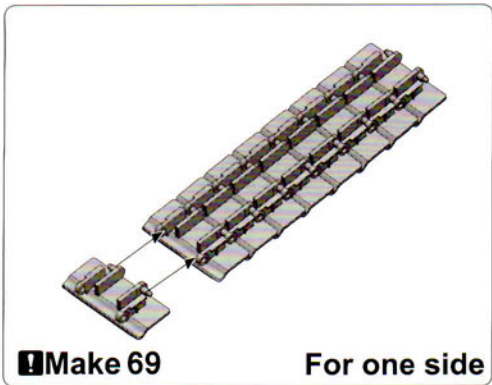
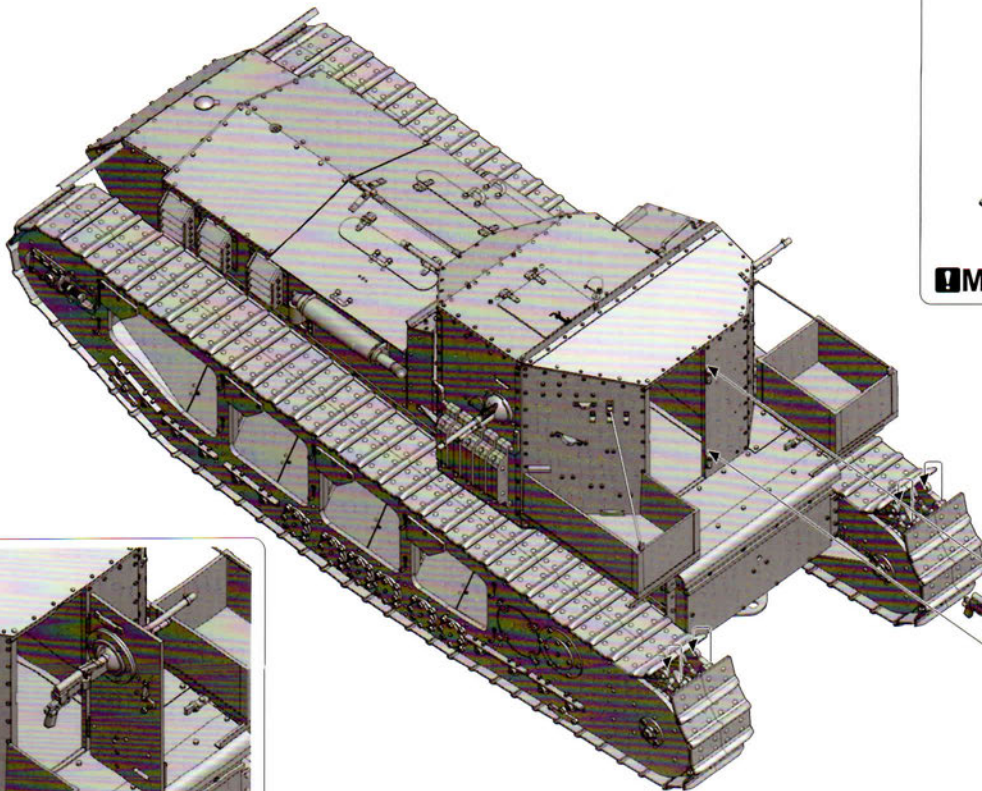
23

TP9

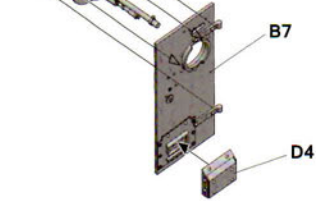


TP4





Open



UKRAINE KRAZ-6322

HEAVY TRUCK
[LATE TYPE]

READY TO ASSEMBLE PRECISION MODEL WITH A WORKING SKILLS HELPSET, 9 UNDER 14 YEARS OF AGE. A MODEL BUILT FIRST FROM BRASS ON EYES. A CREDIT AND PAINT NOT INCLUDED.



1/35
NO.2022

A DISPLAYED WITH DISPLAY PLASTIC MODEL
A WORKING SKILLS HELPSET
A ALL WHEELS ARE MOUNTED
A FRONT WHEELS CAN BE STEERING
A COMPACTED TRUCK WITH EXTENSIVE LOWER PORTION
A 1/35 SCALE OF BRASS IN BRASS
A 1/35 CLEAR PLATE INCLUDED



JAPANESE-MADE SUV



A READY TO ASSEMBLE PRECISION MODEL, 9 UNDER 14 YEARS OF AGE. A MODEL BUILT FIRST FROM BRASS ON EYES. A CREDIT AND PAINT NOT INCLUDED.



1/35
NO.2007

A DISPLAYED WITH DISPLAY PLASTIC MODEL. A ALL THE WHEELS ARE MOUNTED
A A 1/35 CLEAR PLATE INCLUDED. A FRONT WHEELS CAN BE STEERING FREELY
A 1/35 CLEAR PLATE INCLUDED

UKRAINE KRAZ-6446 TRACTOR

WITH CMZAP-5247G SEMI-TRAILER

READY TO ASSEMBLE PRECISION MODEL WITH A WORKING SKILLS HELPSET, 9 UNDER 14 YEARS OF AGE. A MODEL BUILT FIRST FROM BRASS ON EYES. A CREDIT AND PAINT NOT INCLUDED.



1/35
NO.2019



A DISPLAYED WITH DISPLAY PLASTIC MODEL
A WORKING SKILLS HELPSET
A ALL WHEELS ARE MOUNTED
A FRONT WHEELS CAN BE STEERING
A COMPACTED TRUCK WITH EXTENSIVE LOWER PORTION
A 1/35 SCALE OF BRASS IN BRASS
A 1/35 CLEAR PLATE INCLUDED

HEAVY TRUCK

RUSSIAN KRAZ-260

READY TO ASSEMBLE PRECISION MODEL WITH A WORKING SKILLS HELPSET, 9 UNDER 14 YEARS OF AGE. A MODEL BUILT FIRST FROM BRASS ON EYES. A CREDIT AND PAINT NOT INCLUDED.



1/35
NO.2016



A DISPLAYED WITH DISPLAY PLASTIC MODEL
A WORKING SKILLS HELPSET
A ALL WHEELS ARE MOUNTED
A FRONT WHEELS CAN BE STEERING
A COMPACTED TRUCK WITH EXTENSIVE LOWER PORTION
A 1/35 SCALE OF BRASS IN BRASS
A 1/35 CLEAR PLATE INCLUDED

2015/2025



You can find TAKOM on [Facebook.com](https://www.facebook.com)

WWI WHIPPET TANK

Color info and profiles by

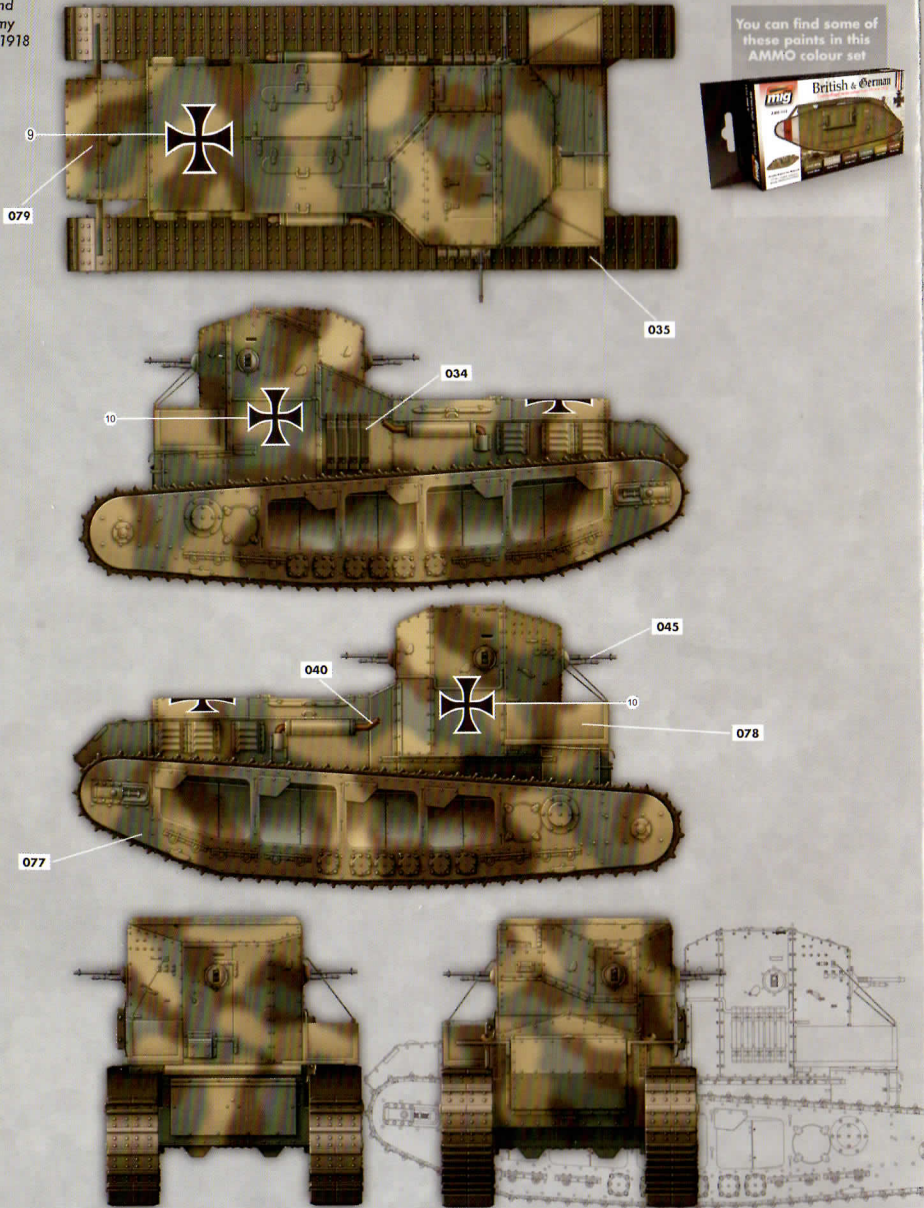


Painting and Marking Guide

- A.MIG 034 Rust Tracks
- A.MIG 045 Gun Metal
- A.MIG 040 Medium Rust
- A.MIG 035 Dark Tracks
- A.MIG 077 Dull Green
- A.MIG 079 Clay Brown
- A.MIG 078 Ochre Earth

Repair number 111 at Lieu-Saint-Armand Training Ground of the 17th Army in September 1918

You can find some of these paints in this AMMO colour set



WWI WHIPPET TANK

Color info and profiles by

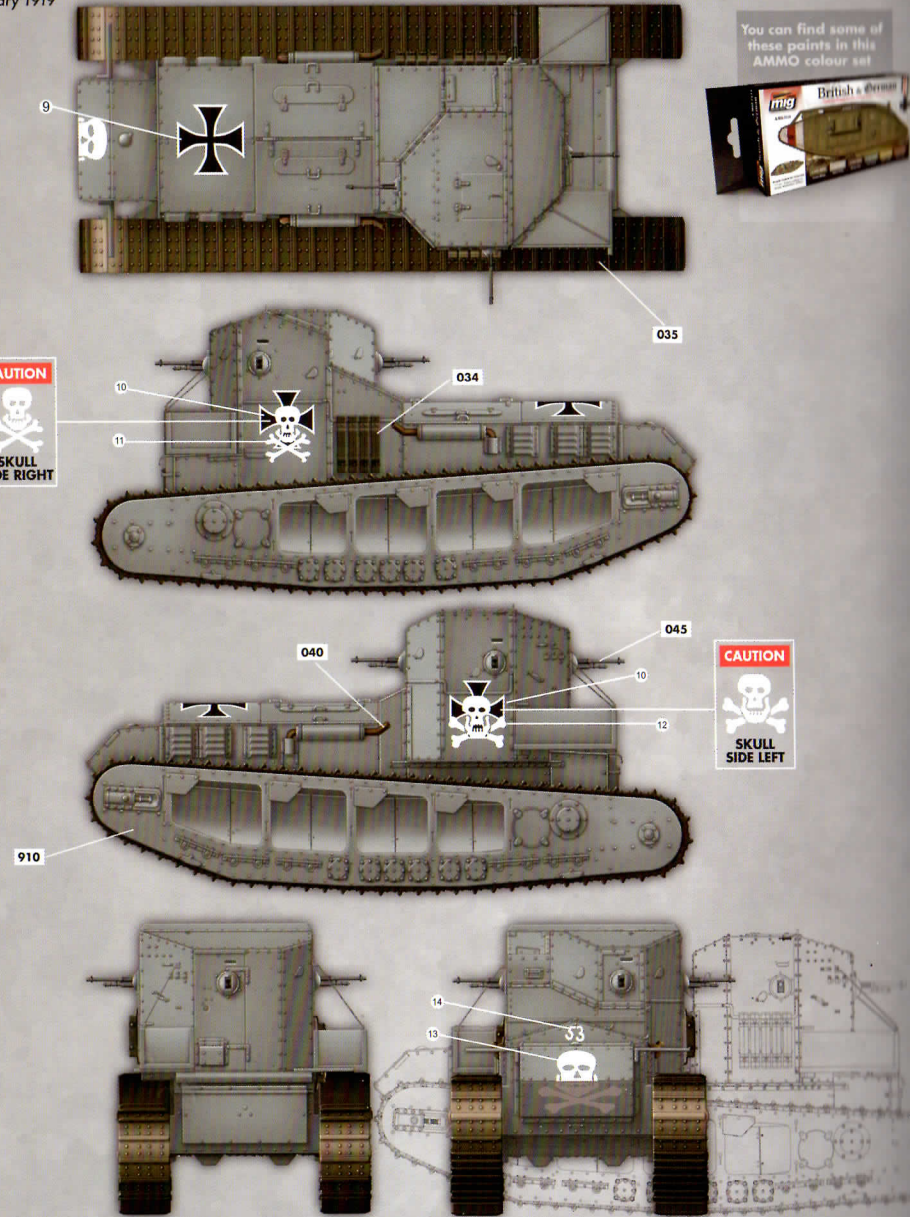


Painting and Marking Guide

- A.MIG 034 Rust Tracks
- A.MIG 045 Gun Metal
- A.MIG 040 Medium Rust
- A.MIG 035 Dark Tracks
- A.MIG 910 Grey High Light

German Whippet in Freikorps Service, Berlin, January 1919

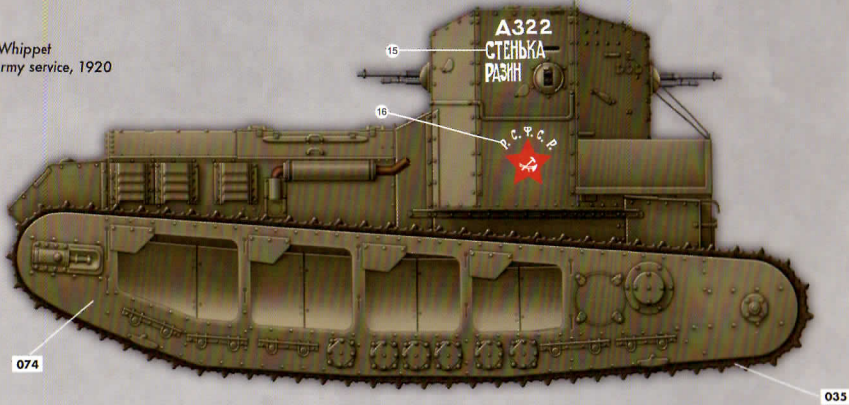
You can find some of these paints in this AMMO colour set



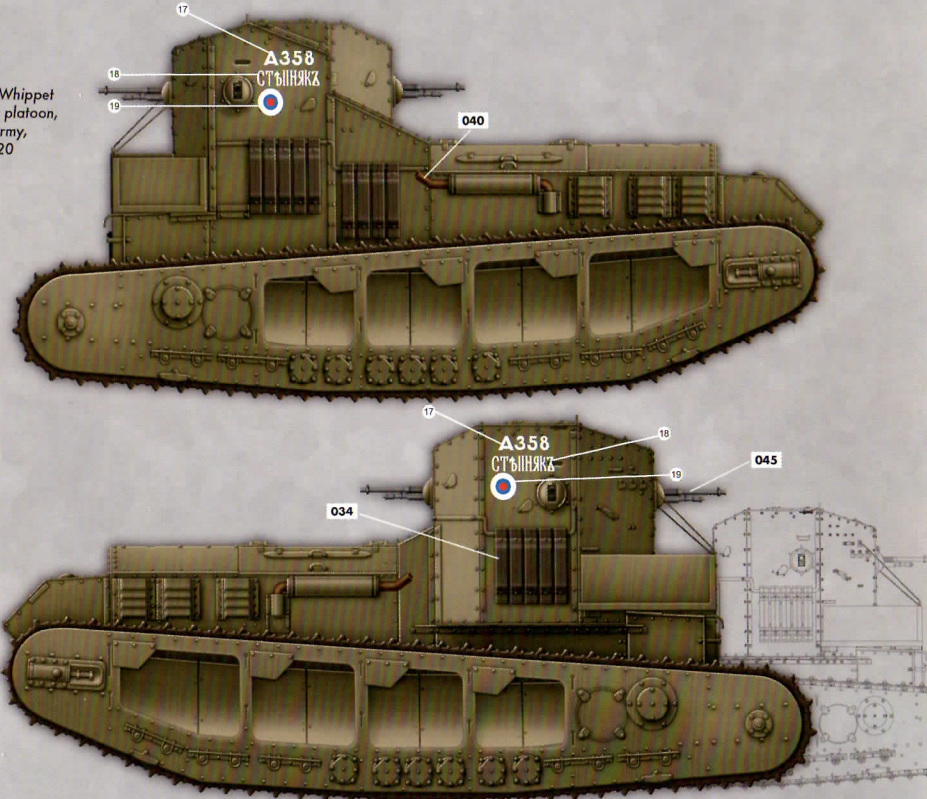
Painting and Marking Guide

- A.MIG 045 Gun Metal
- A.MIG 040 Medium Rust
- A.MIG 035 Dark Tracks
- A.MIG 034 Rust Tracks
- A.MIG 074 Green Moss

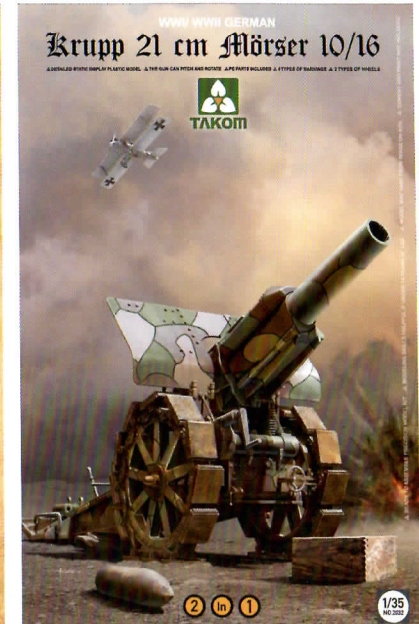
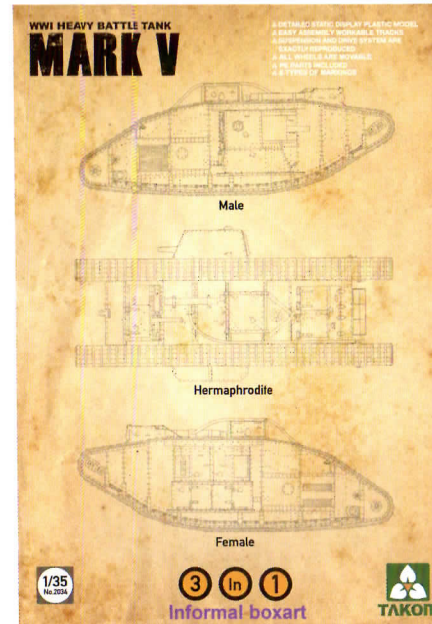
Russian Whippet
in Red Army service, 1920



Russian Whippet
2nd Tank platoon,
White Army,
Sept 1920



HOME OF MODELFAN

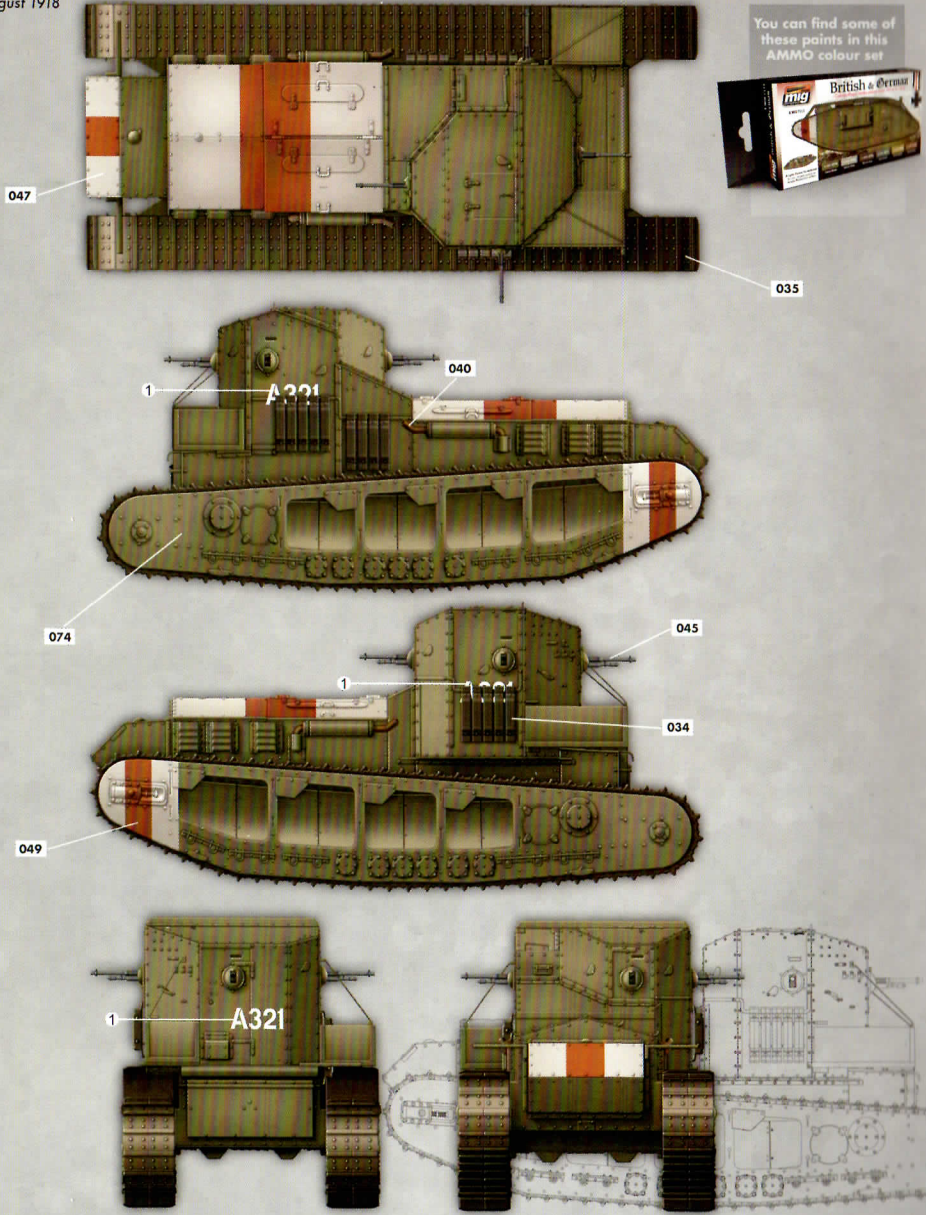


You can find TAKOM on Facebook.com

Painting and Marking Guide

- A.MIG 034** Rust Tracks
- A.MIG 045** Gun Metal
- A.MIG 040** Medium Rust
- A.MIG 035** Dark Tracks
- A.MIG 074** Green Moss
- A.MIG 049** Red
- A.MIG 047** White

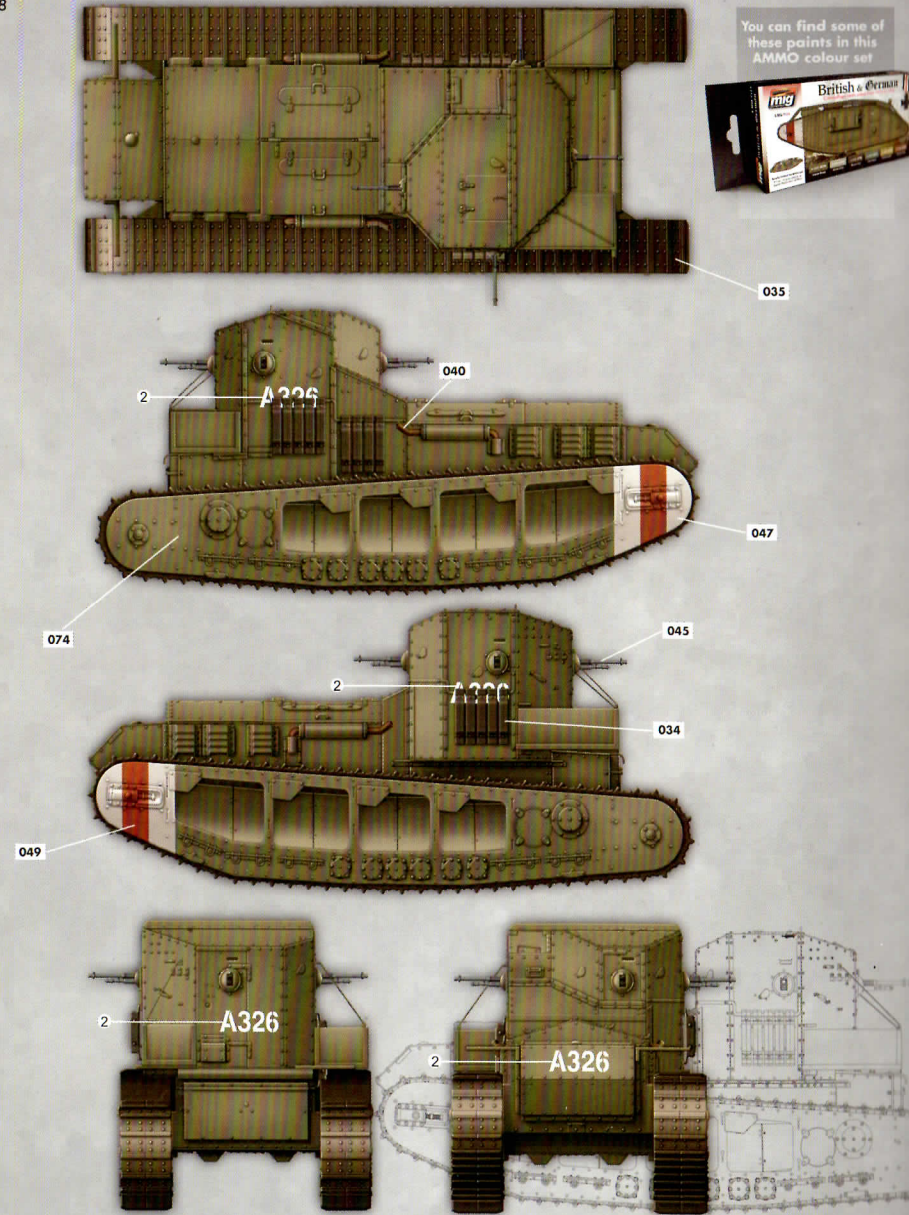
British Mark A Whippet, near Achiet-le-petit, France, August 1918



Painting and Marking Guide

- A.MIG 034** Rust Tracks
- A.MIG 045** Gun Metal
- A.MIG 040** Medium Rust
- A.MIG 035** Dark Tracks
- A.MIG 074** Green Moss
- A.MIG 049** Red
- A.MIG 047** White

British Mark A Whippet, Biefvillers (France) August 1918



WWI WHIPPET TANK

Color info and profiles by

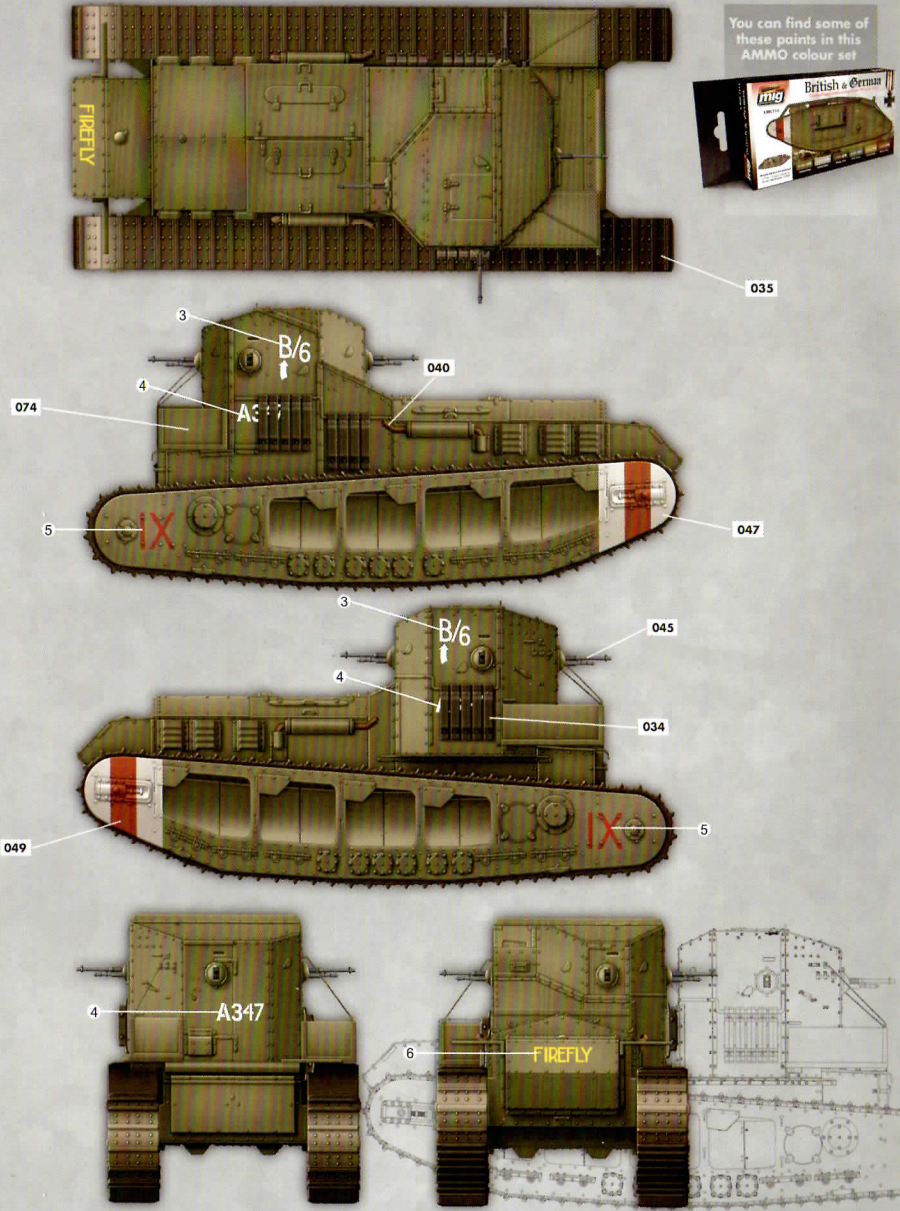


Painting and Marking Guide

- AMIG 034** Rust Tracks
- AMIG 045** Gun Metal
- AMIG 040** Medium Rust
- AMIG 035** Dark Tracks
- AMIG 074** Green Moss
- AMIG 049** Red
- AMIG 047** White

British Mark A Tank 347,
of 6th Battalion Tank Corps. B Company,
Amiens (France)
August 1918

You can find some of these paints in this AMMO colour set



WWI WHIPPET TANK

Color info and profiles by



Painting and Marking Guide

- AMIG 034** Rust Tracks
- AMIG 045** Gun Metal
- AMIG 040** Medium Rust
- AMIG 035** Dark Tracks
- AMIG 074** Green Moss
- AMIG 049** Red
- AMIG 047** White

British Mark A,
Irish Civil War,
Dublin, January 1919

You can find some of these paints in this AMMO colour set

