



		COLOR	ATOM	Tamiya	Mr Hobby	Lifecolor	AK 3rd Gen
	A	Black	20163	XF1	H12	LC02	11029
	B	Silver	20164	XF16	H08	LC74	11209
	C	DAK 1942	20006	XF93	-	UA201	11098
	D	Mud	20048	XF52	WP01	UA914	11331
	E	White	20000	XF2	H11	LC01	11120
	F	Leather	20058	XF9	C520	UA764	11110
	G	Gunmetal	20167	X10	C78	LC76	11212
	H	Wood	20004	XF55	H37	UA714	11351
	I	Transparent Green	20092	X5	H94	LC40	11216
	J	Red	20029	XF7	H13	LC06	11068
	K	Neutral Grey	20145	XF53	H53	UA524	11018
	L	Field Grey	20080	XF65	H340	UA402	11154
	M	Rust	20047	XF79	H07	UA702	11103
	N	Rubber	20159	XF85	H77	UA904	11027
	O	Canvas	20011	XF49	H81	UA753	11436
	P	Blue Grey	20146	XF75	H335	UA583	11011
	Q	Bakelit	20053	XF79	H07	UA737	11106
	R	Dark Tracks	20063	XF84 + XF1 (80/20)	H76	UA719	11111
	S	German Grey	20160	XF63	C40	UA207	11025
	T	Basic Skin Tone	20041	XF15	H44	LC21	11052
	U	Orange	20027	X26	H19	LC04	11078
	V	Rotbraun	20042	XF64	C41	UA712	11329

READ BEFORE ASSEMBLY

CAUTION

- Read carefully and fully understand the instructions before commencing assembly. A supervising adult should also read the instructions if a child assembles the model.
- When assembling this kit, tools including knives used. Extra care should be taken to avoid personal injury.
- Keep out of reach of small children. Children must not be allowed to suck any part, or pull vinyl bag over their heads.



Optional



Instant Glue
for Metal

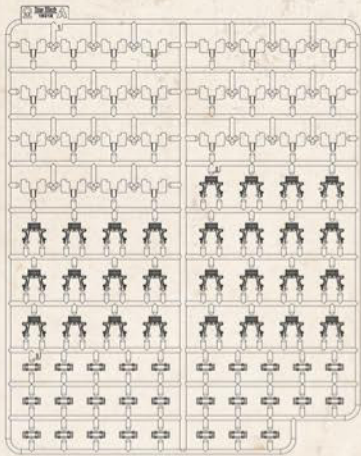


Do Not Cement

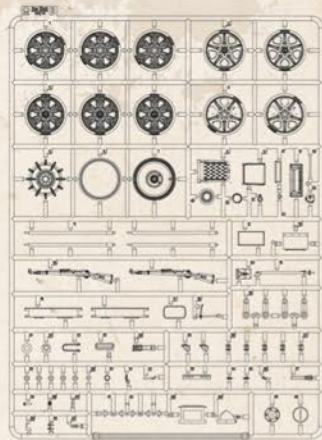


Be Careful

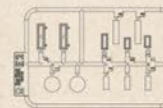
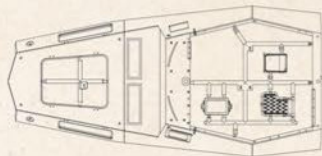
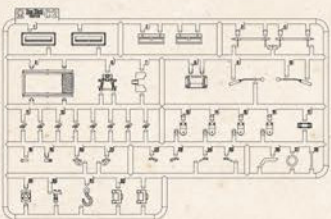
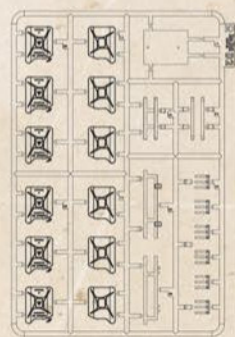
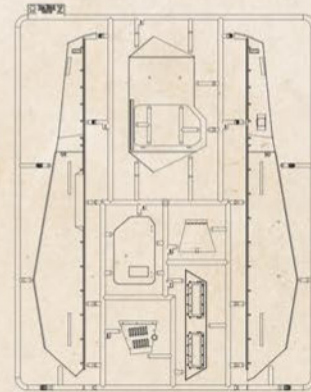
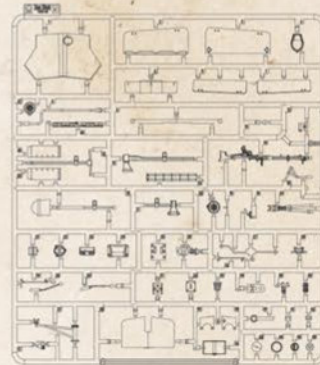
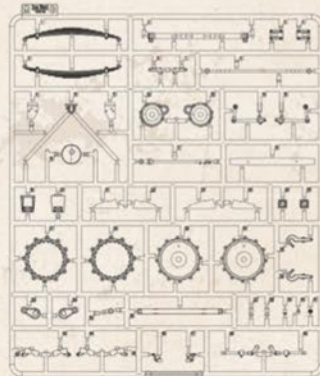
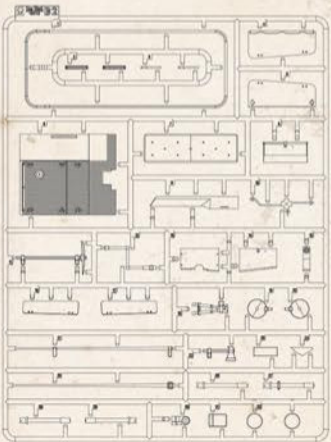
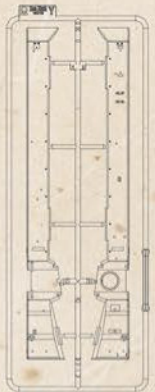
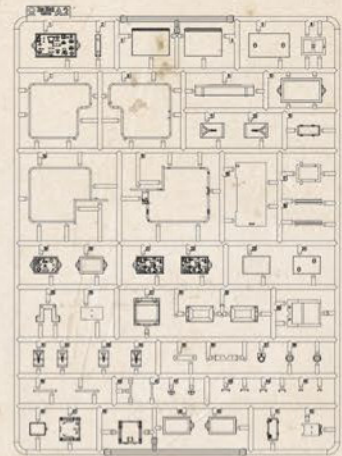
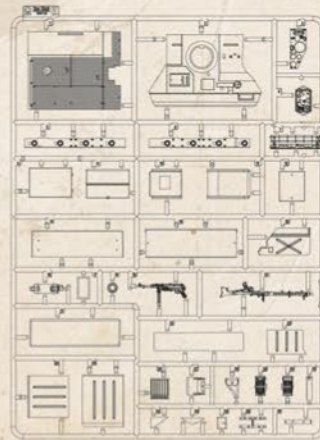
PARTS



X3



X2



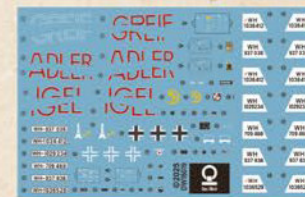
Cable



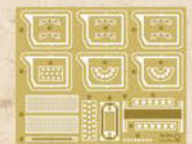
X2



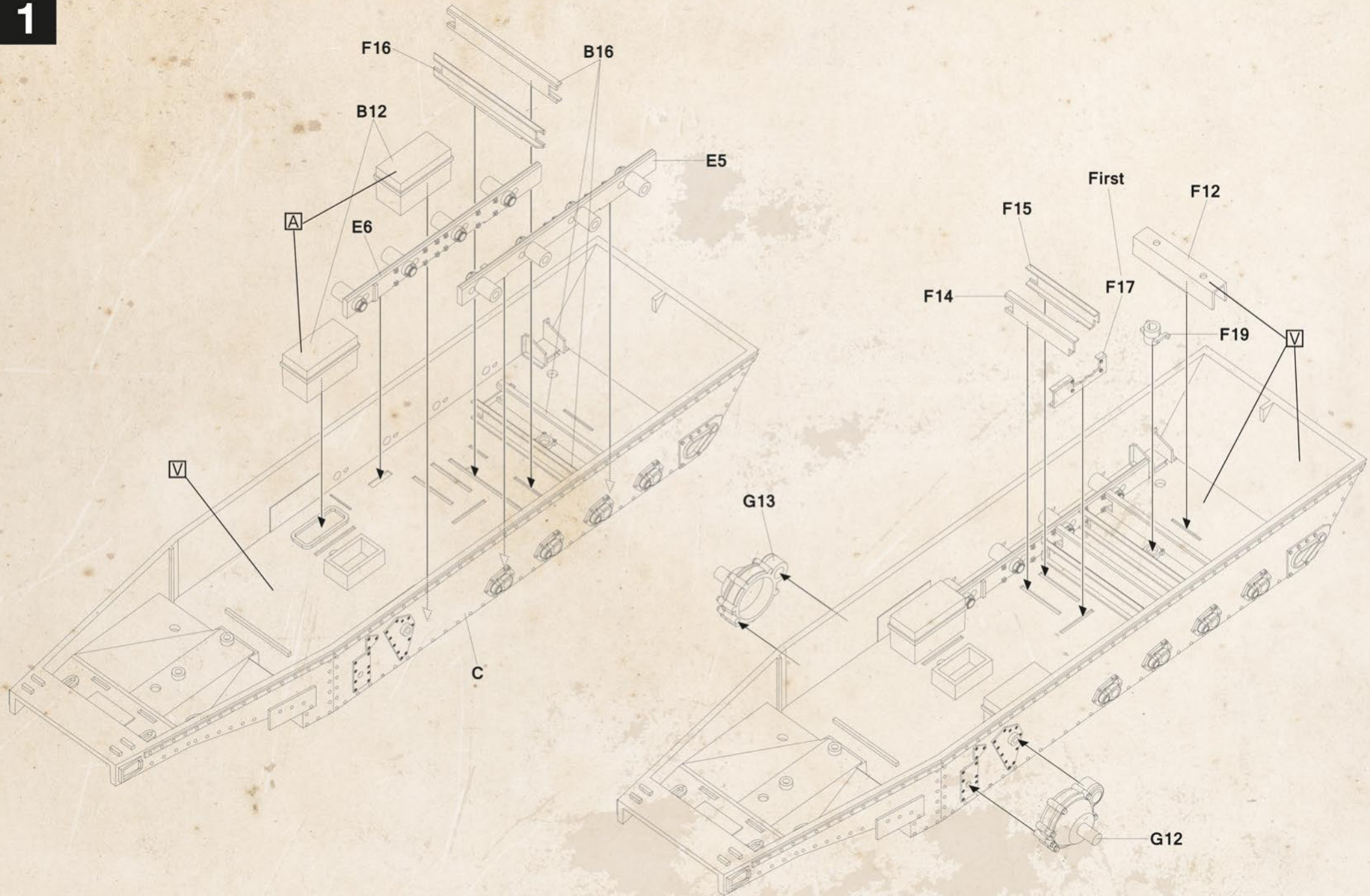
X2



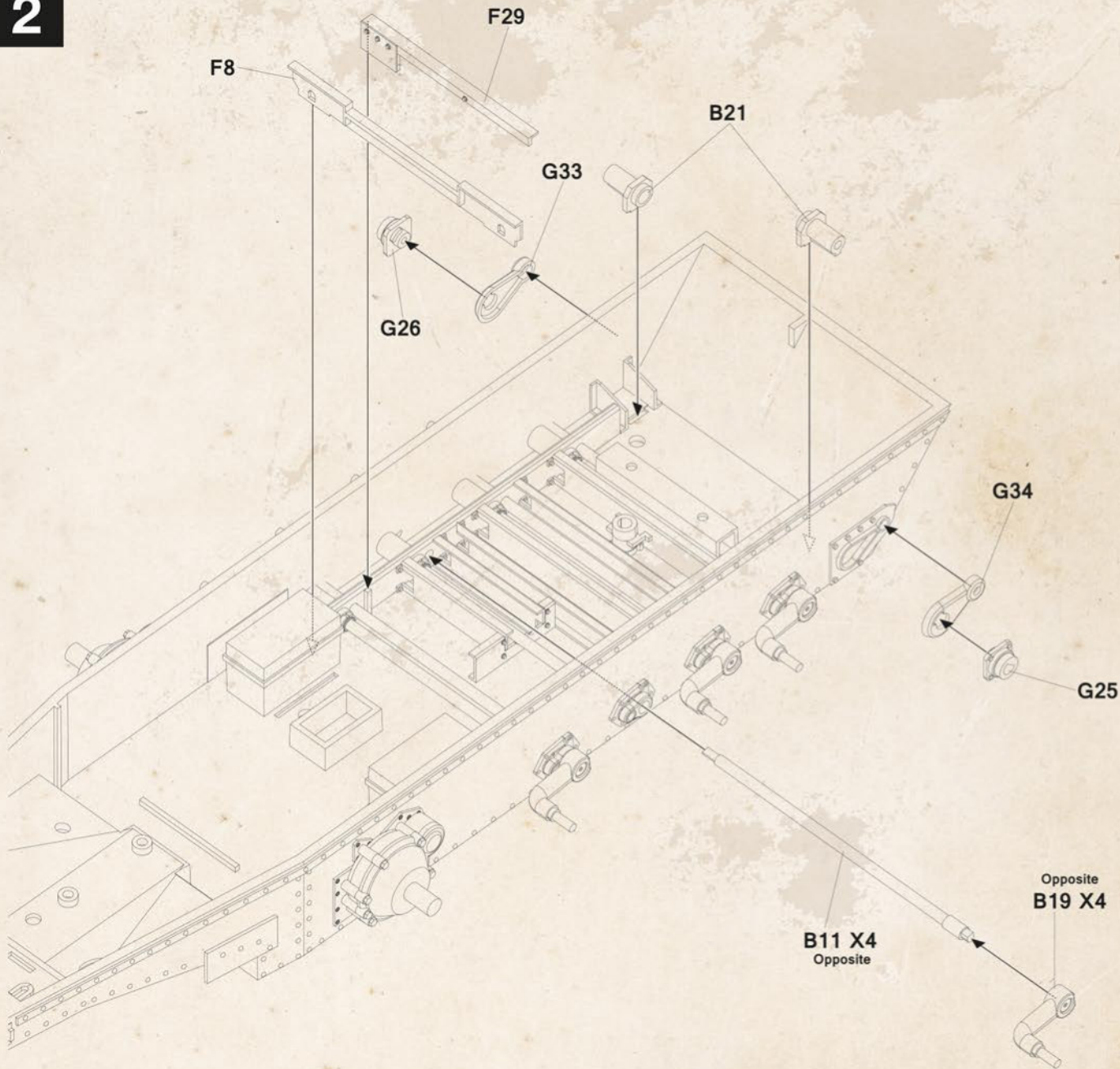
Decal



TP

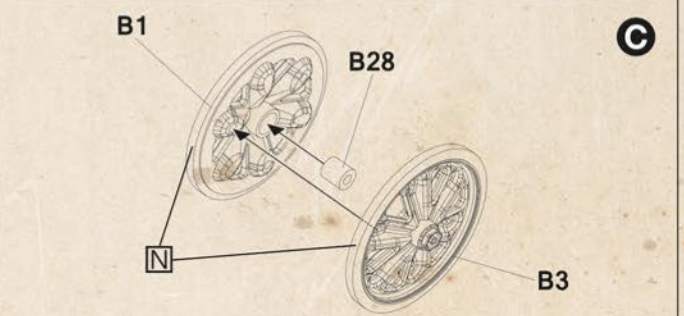
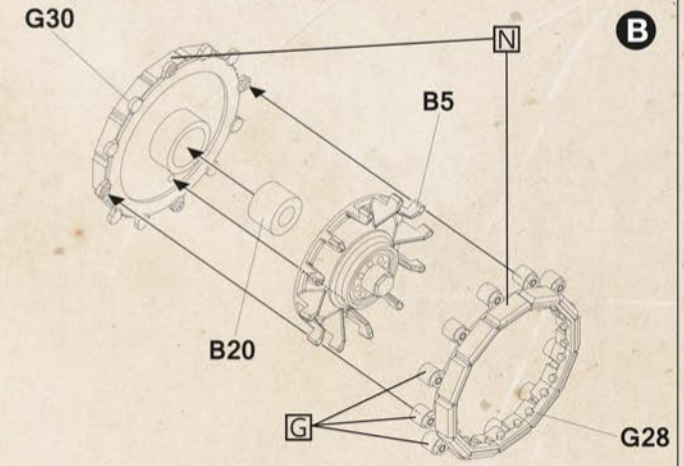
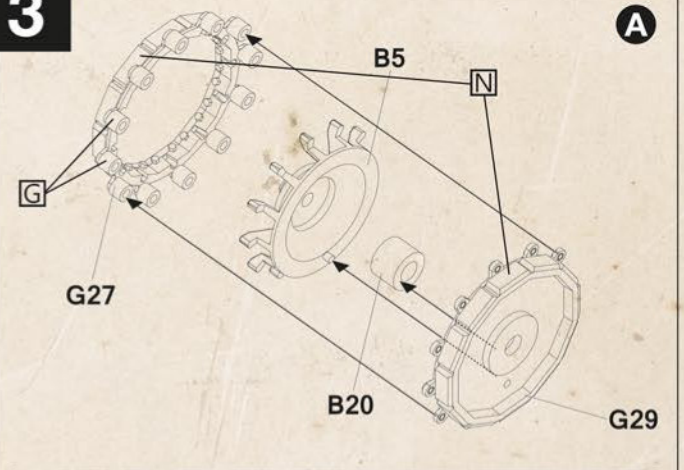


2

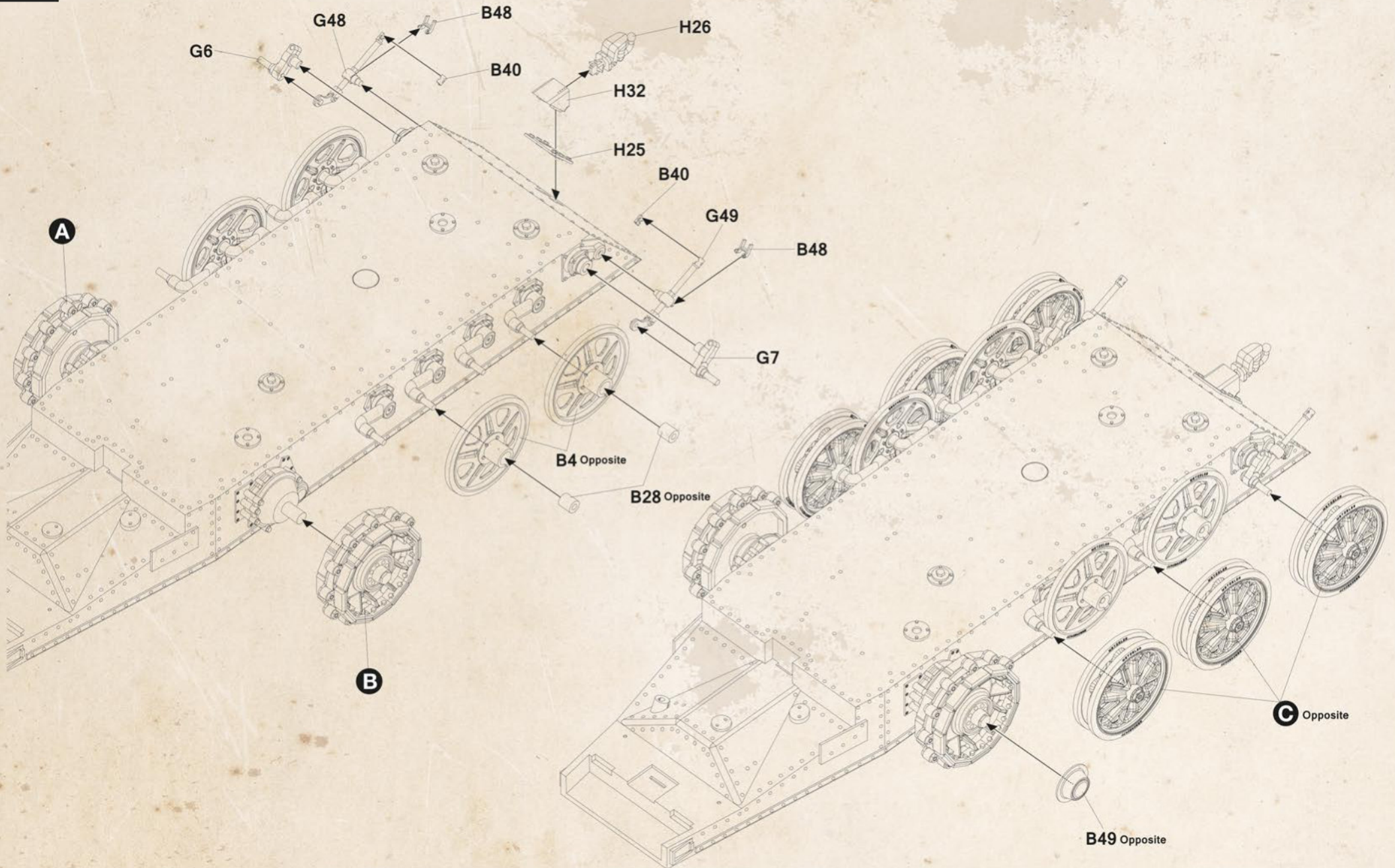


4

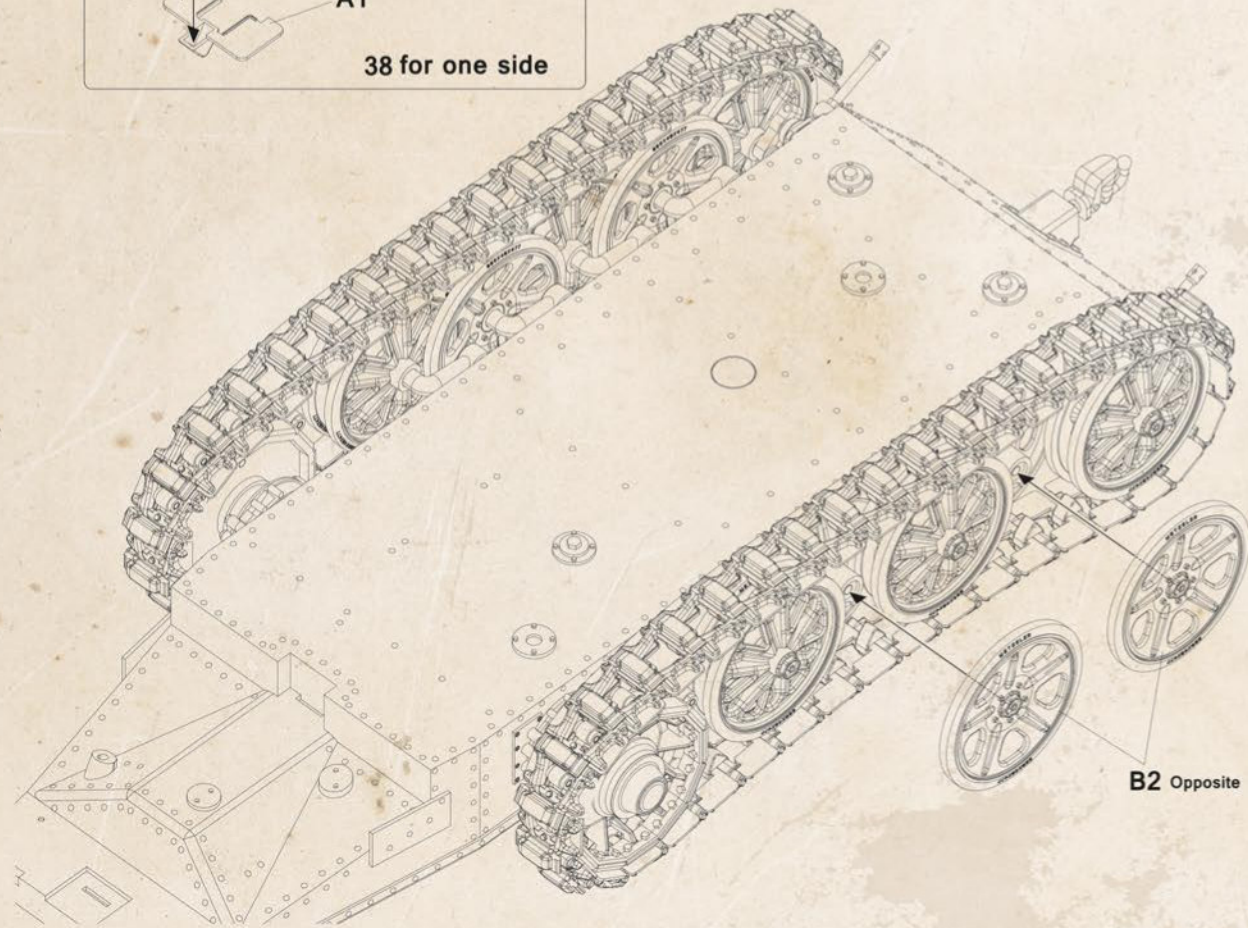
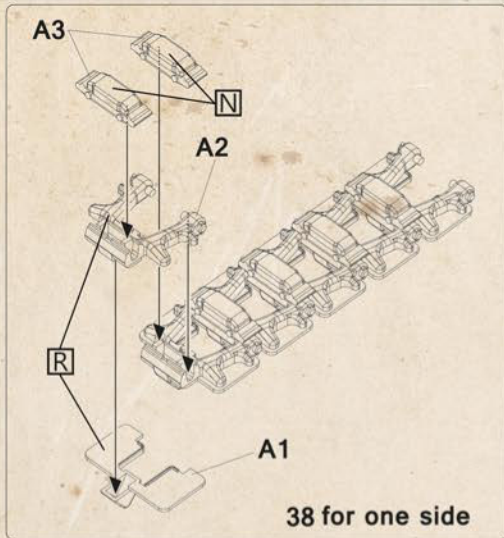
3



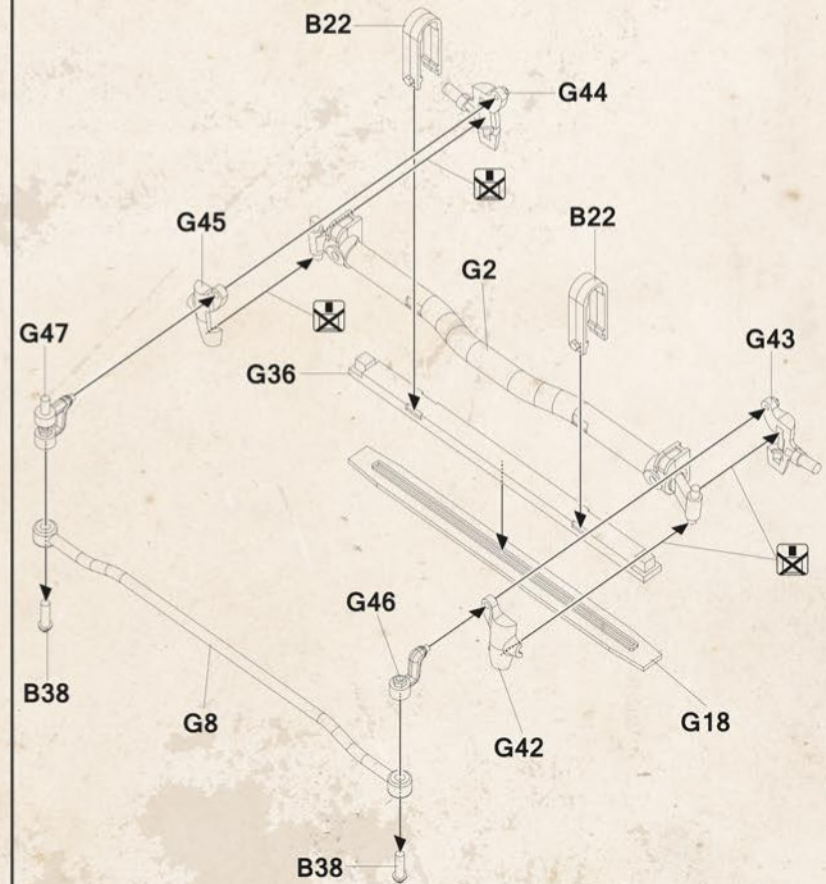
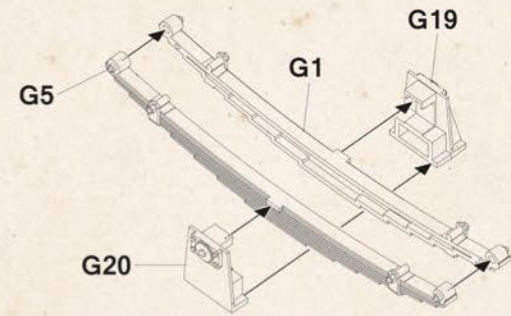
Make 6

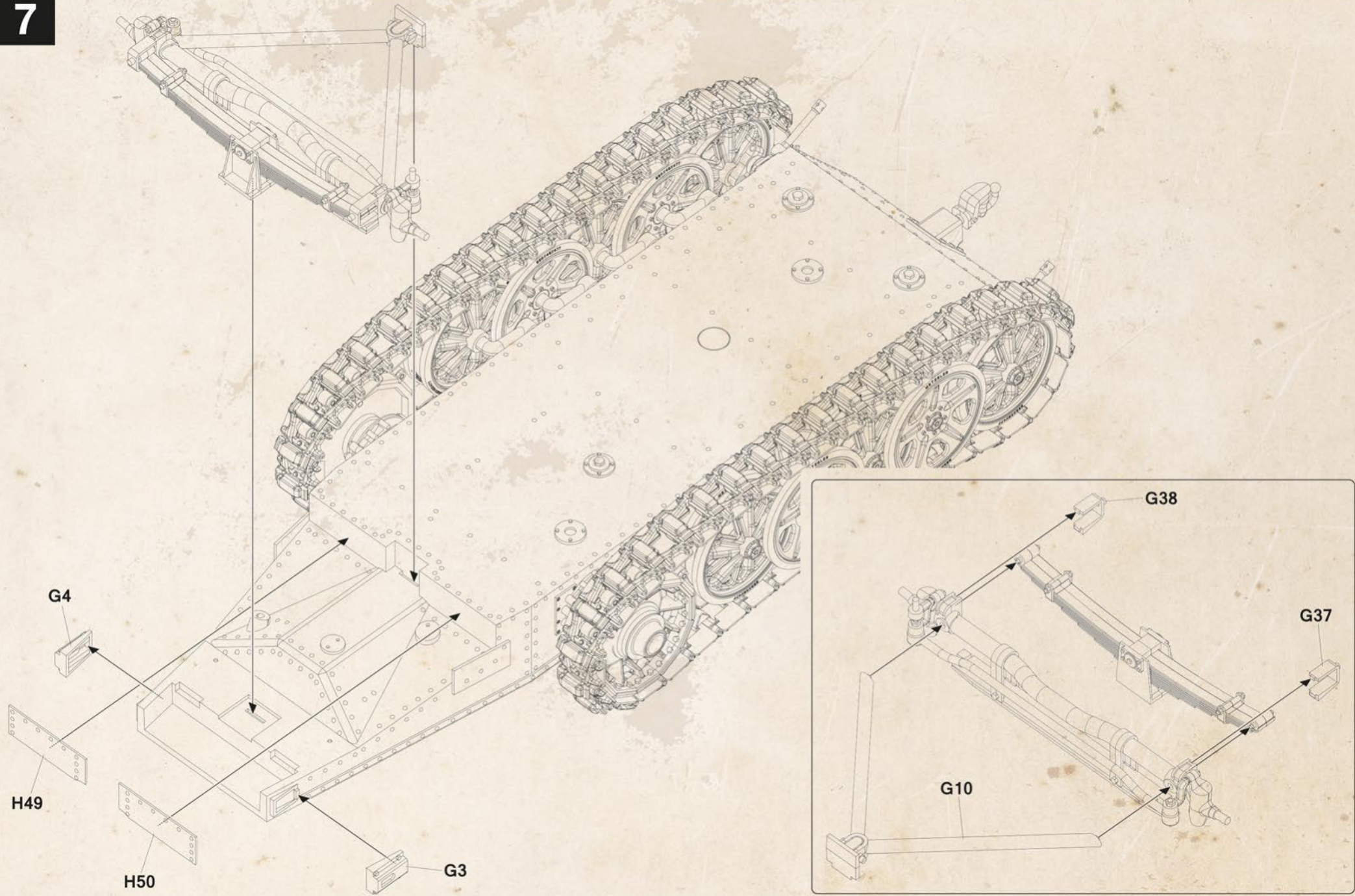


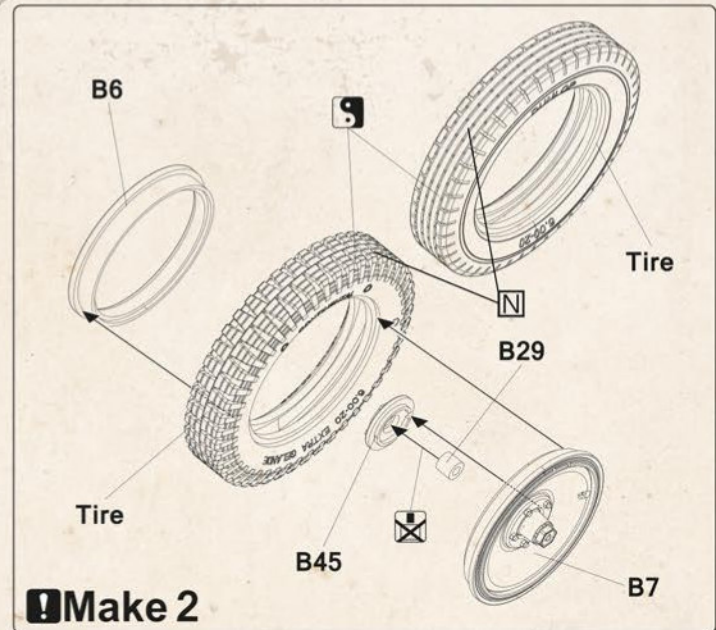
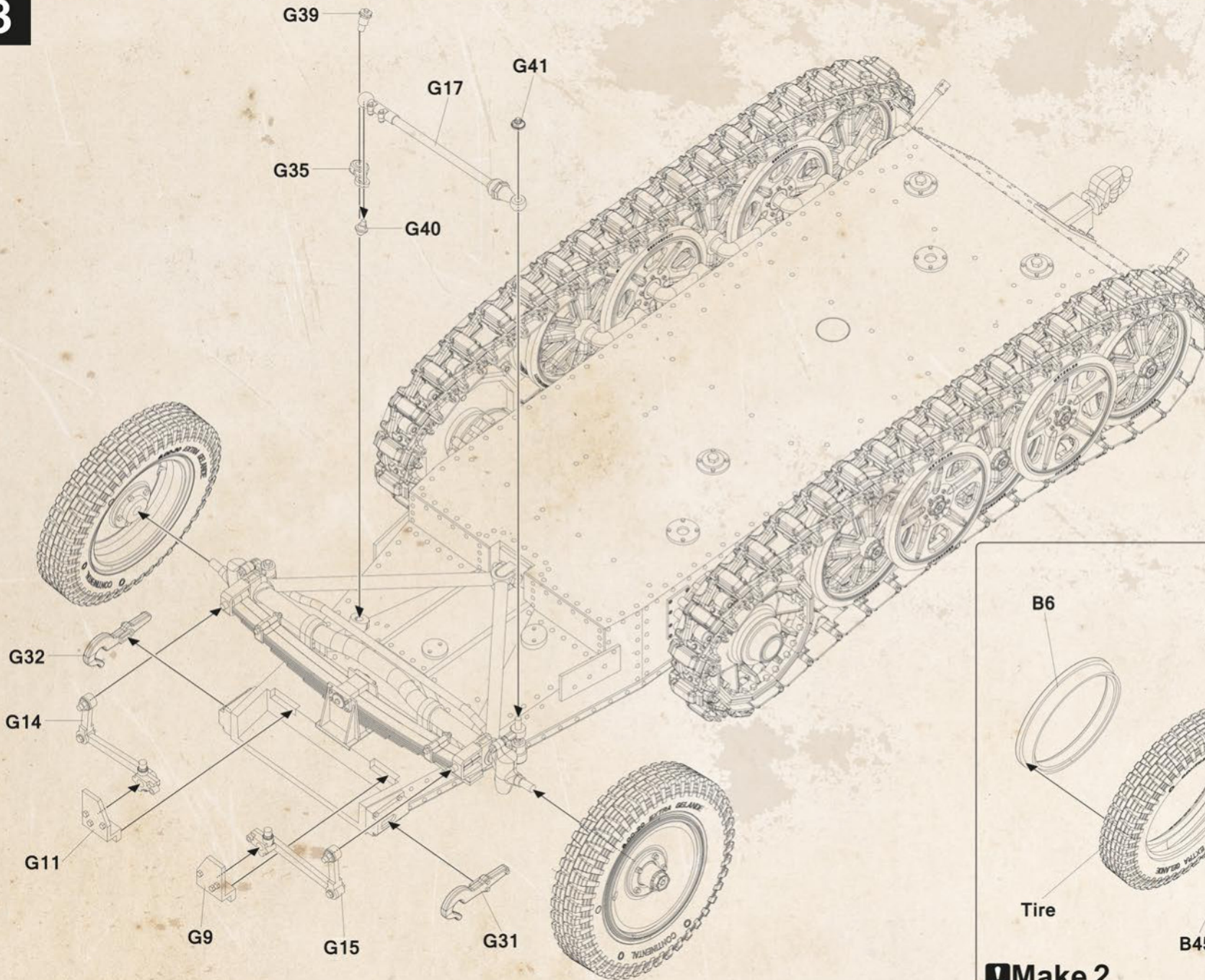
5

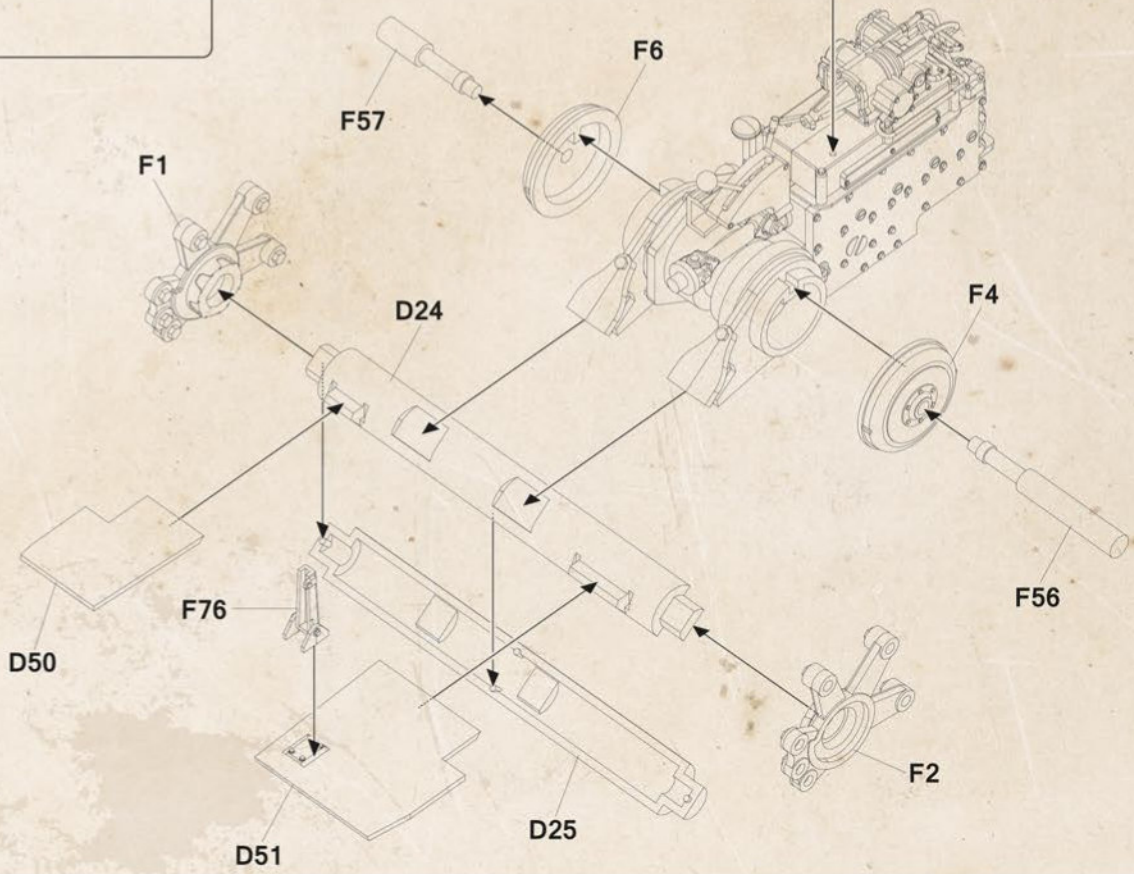
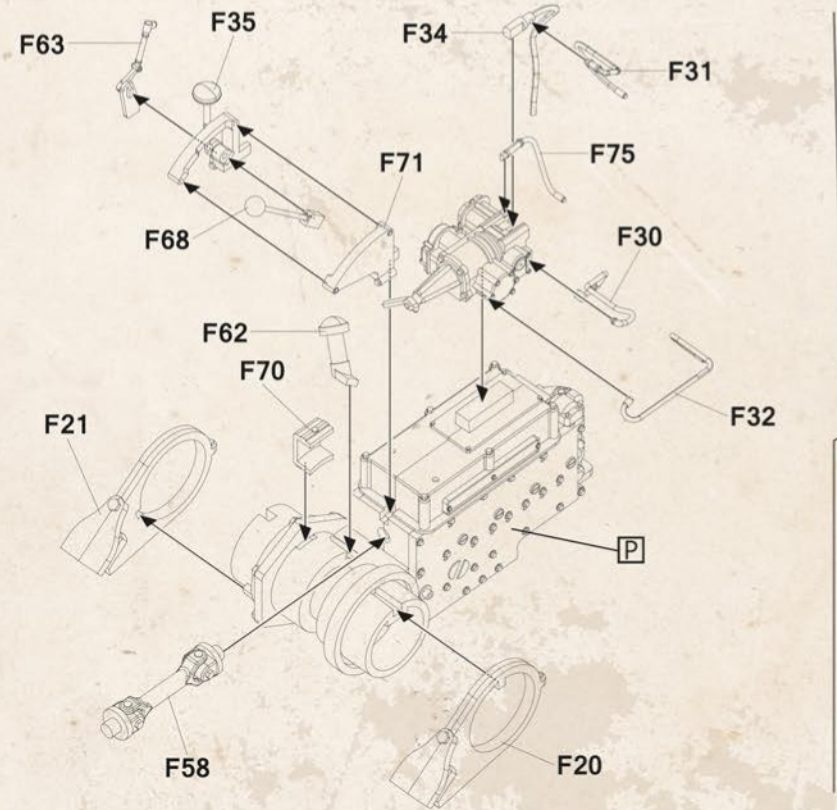
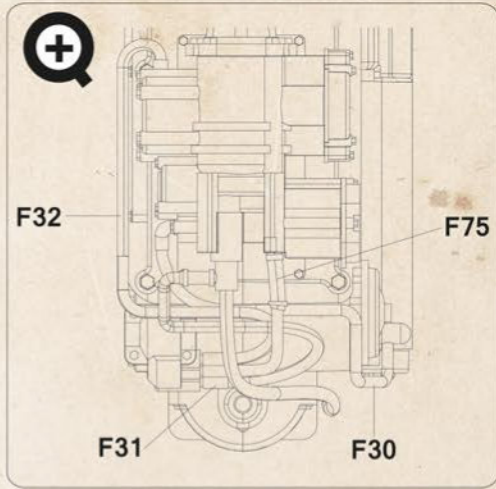
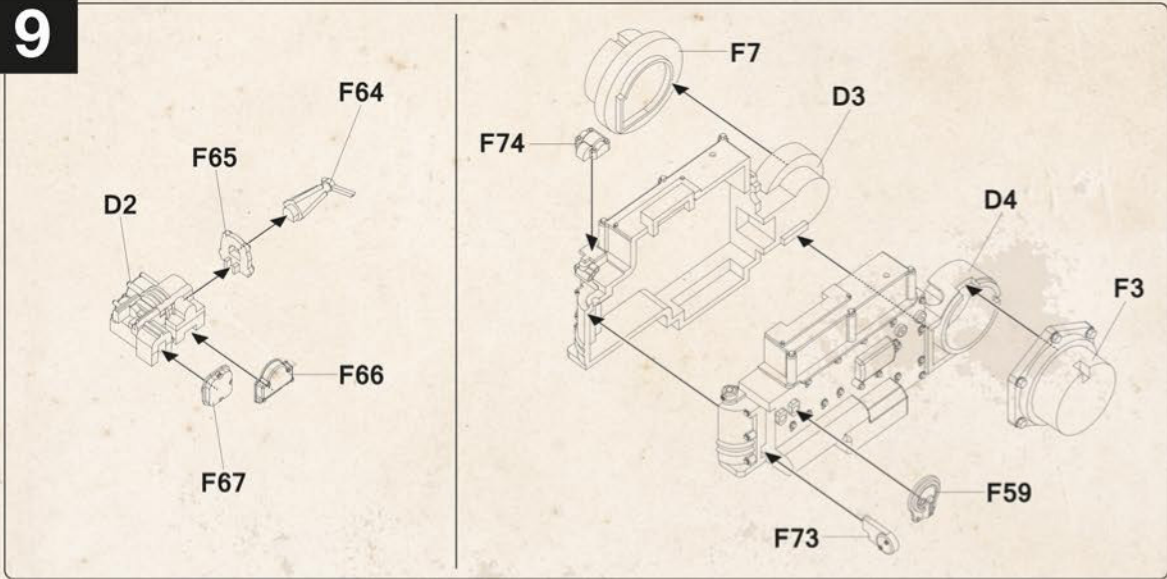


6

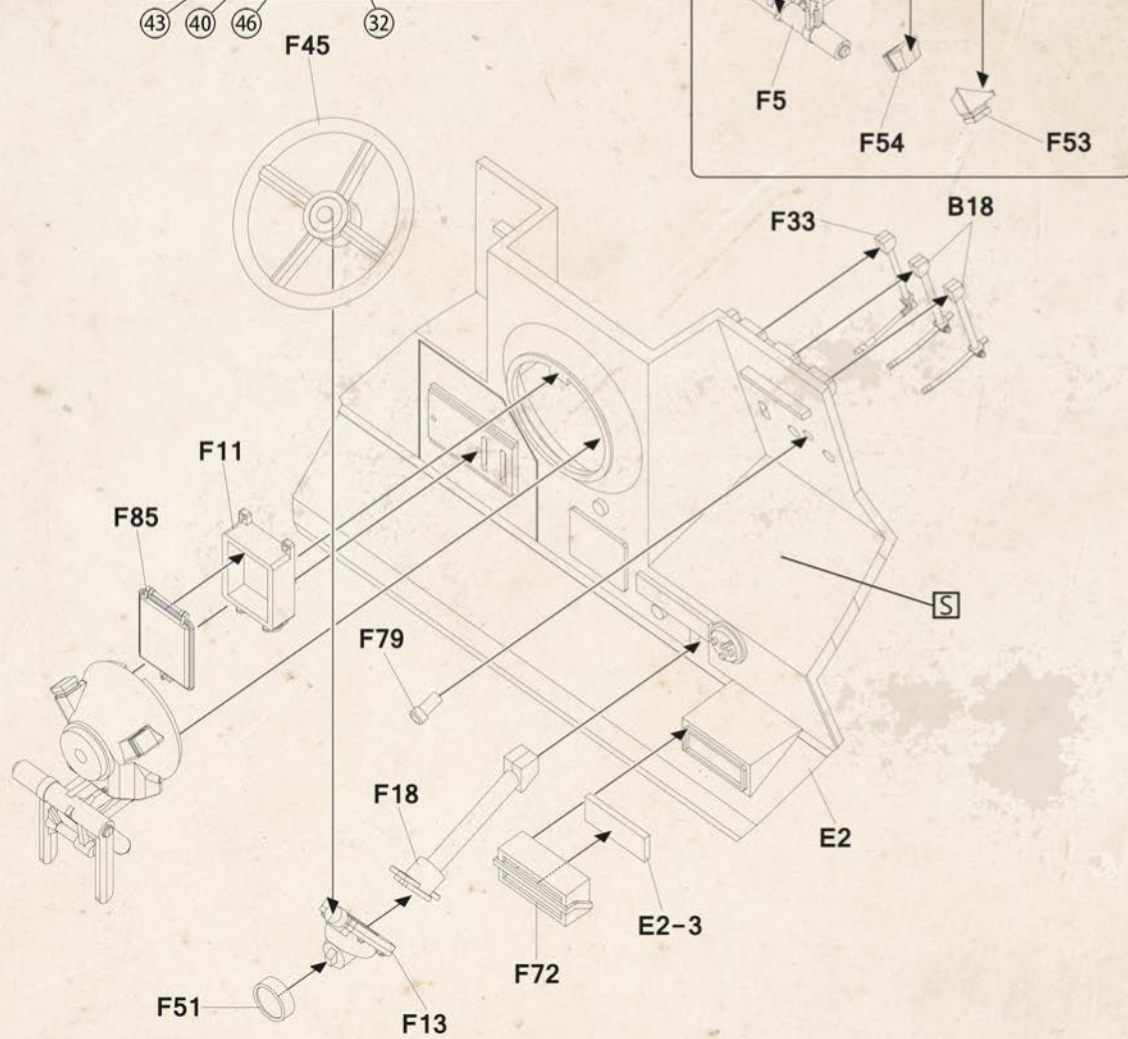




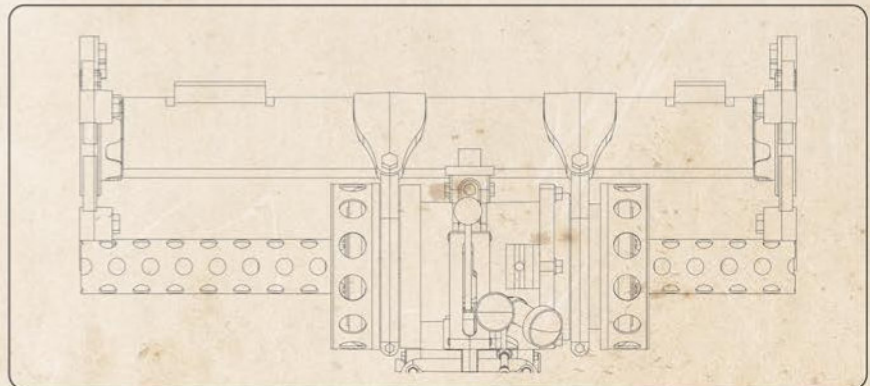
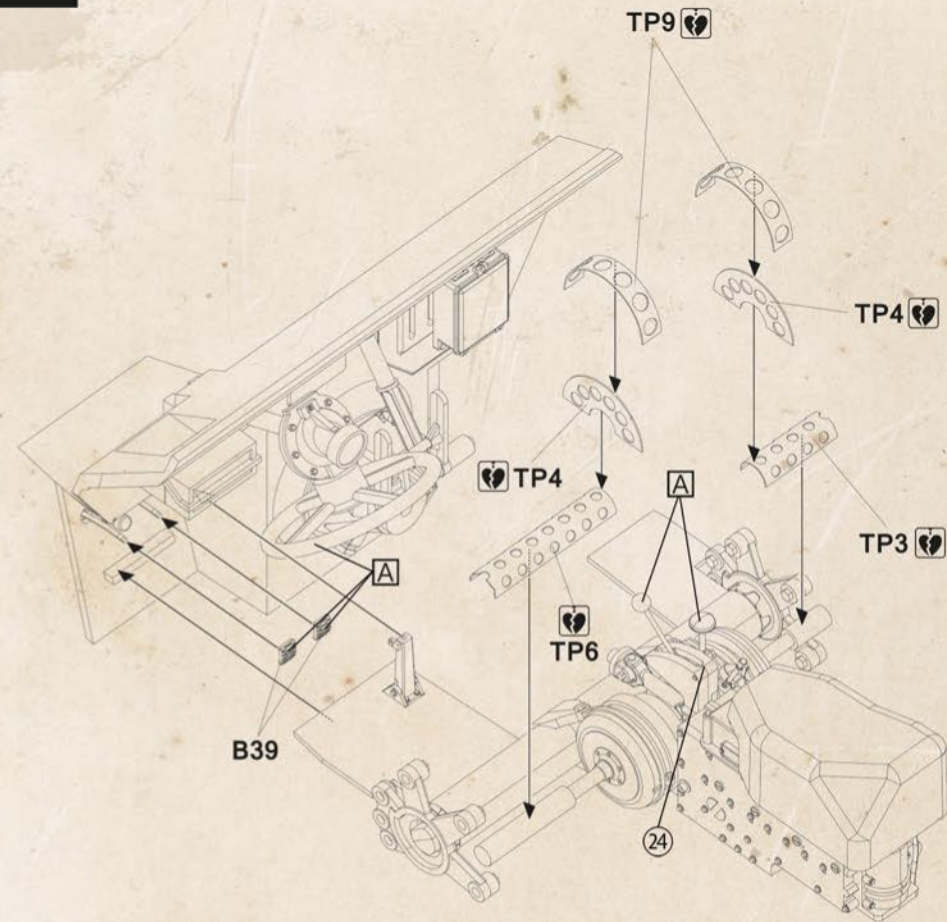




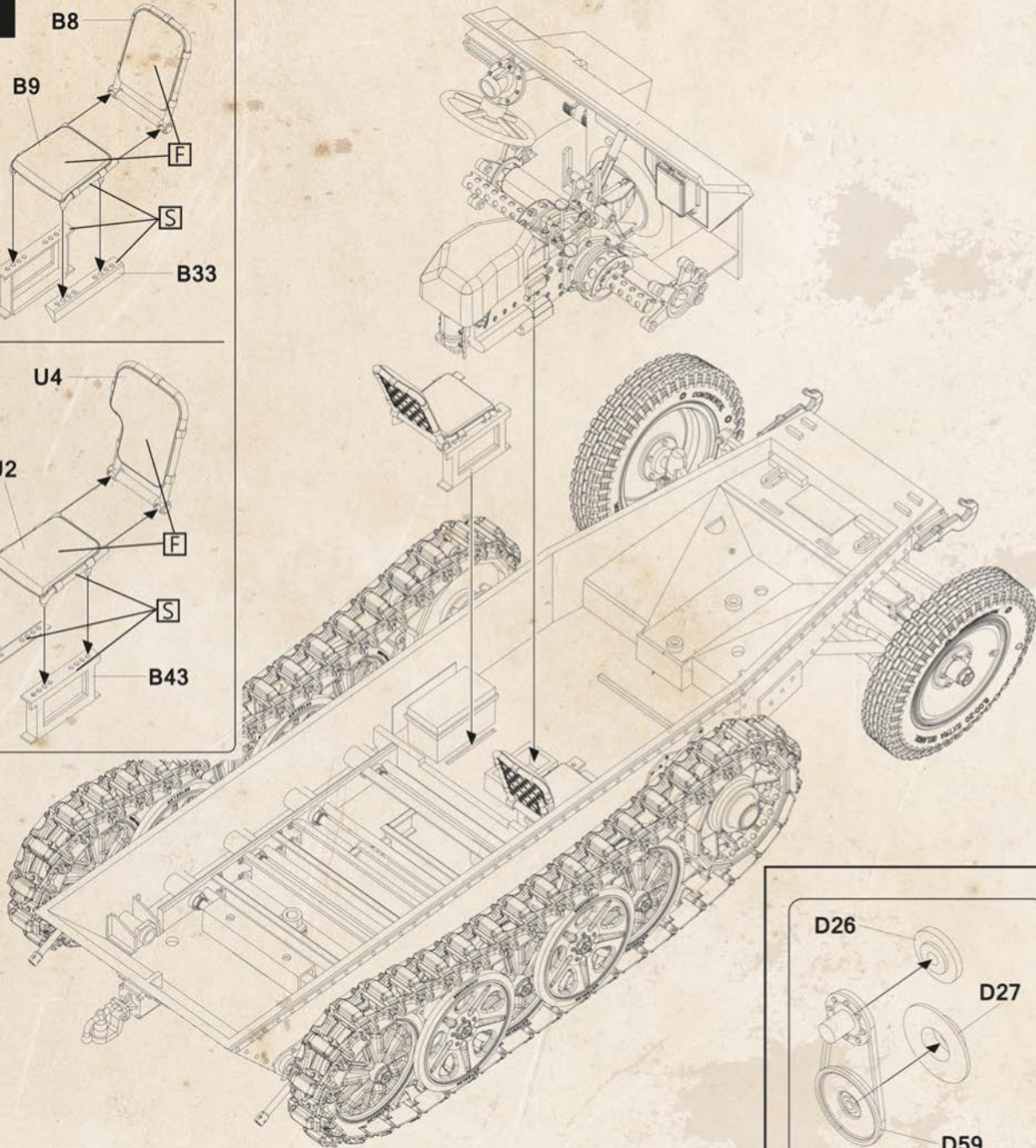
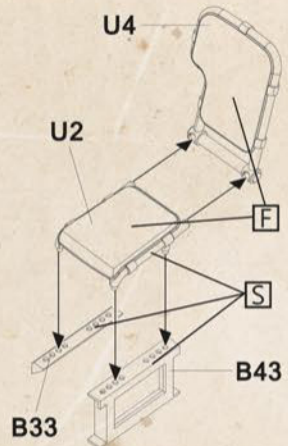
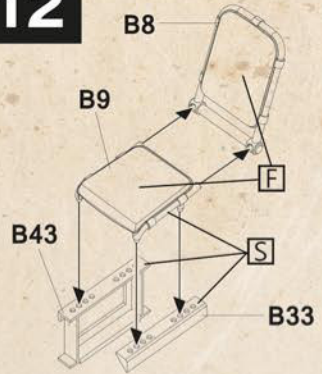
10



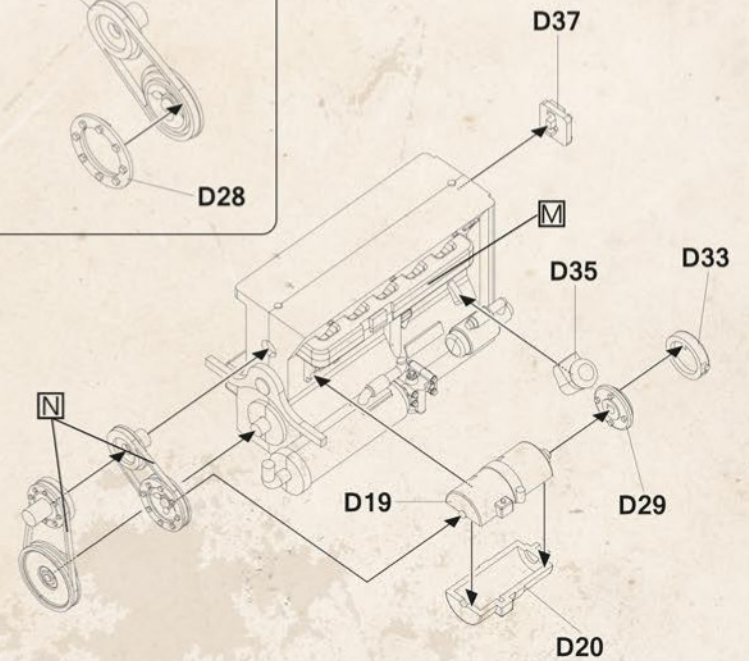
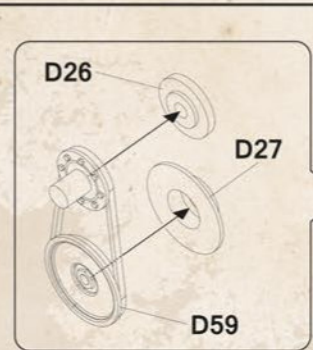
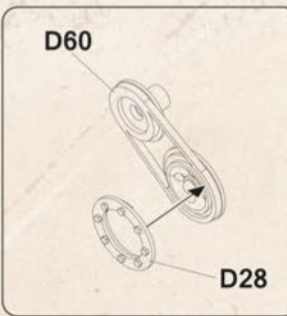
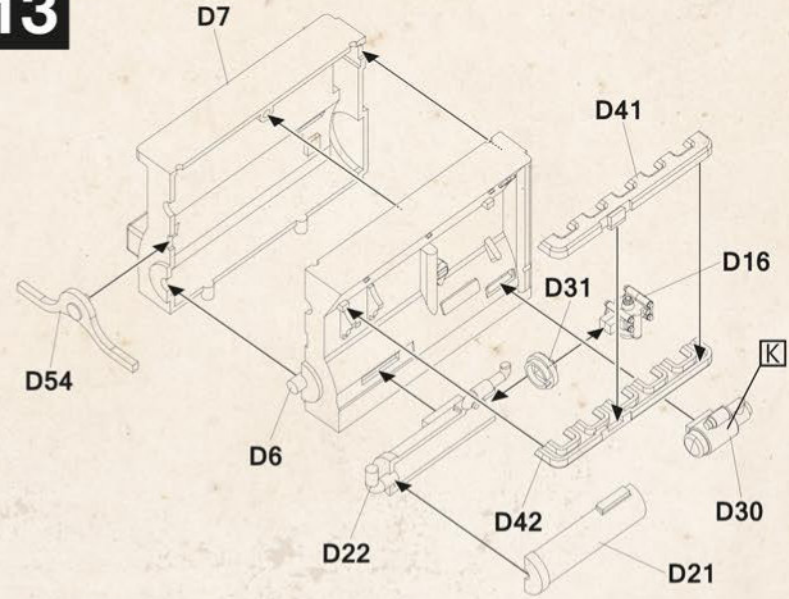
11



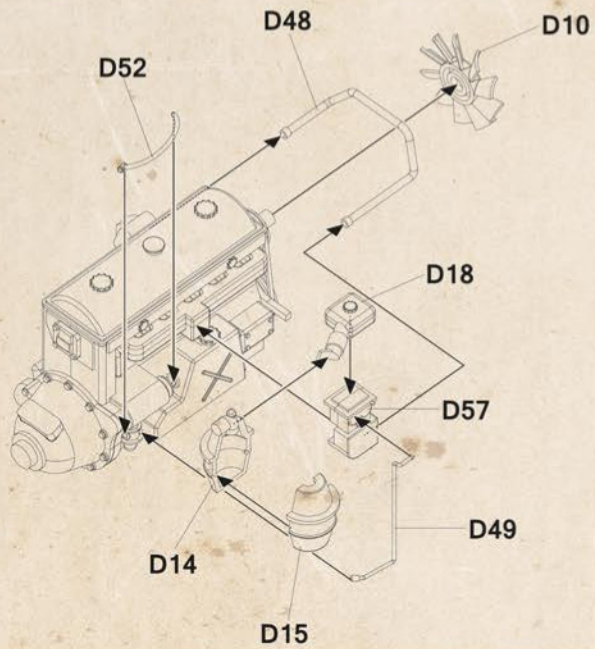
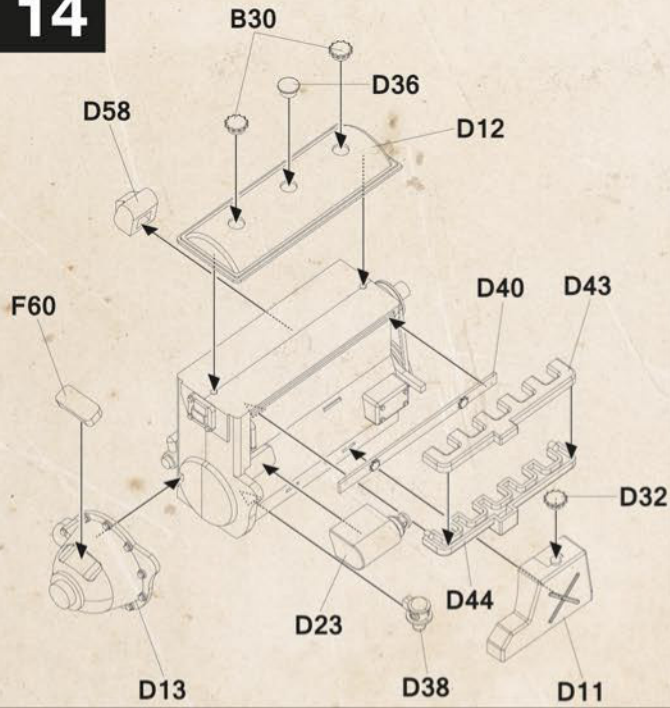
12



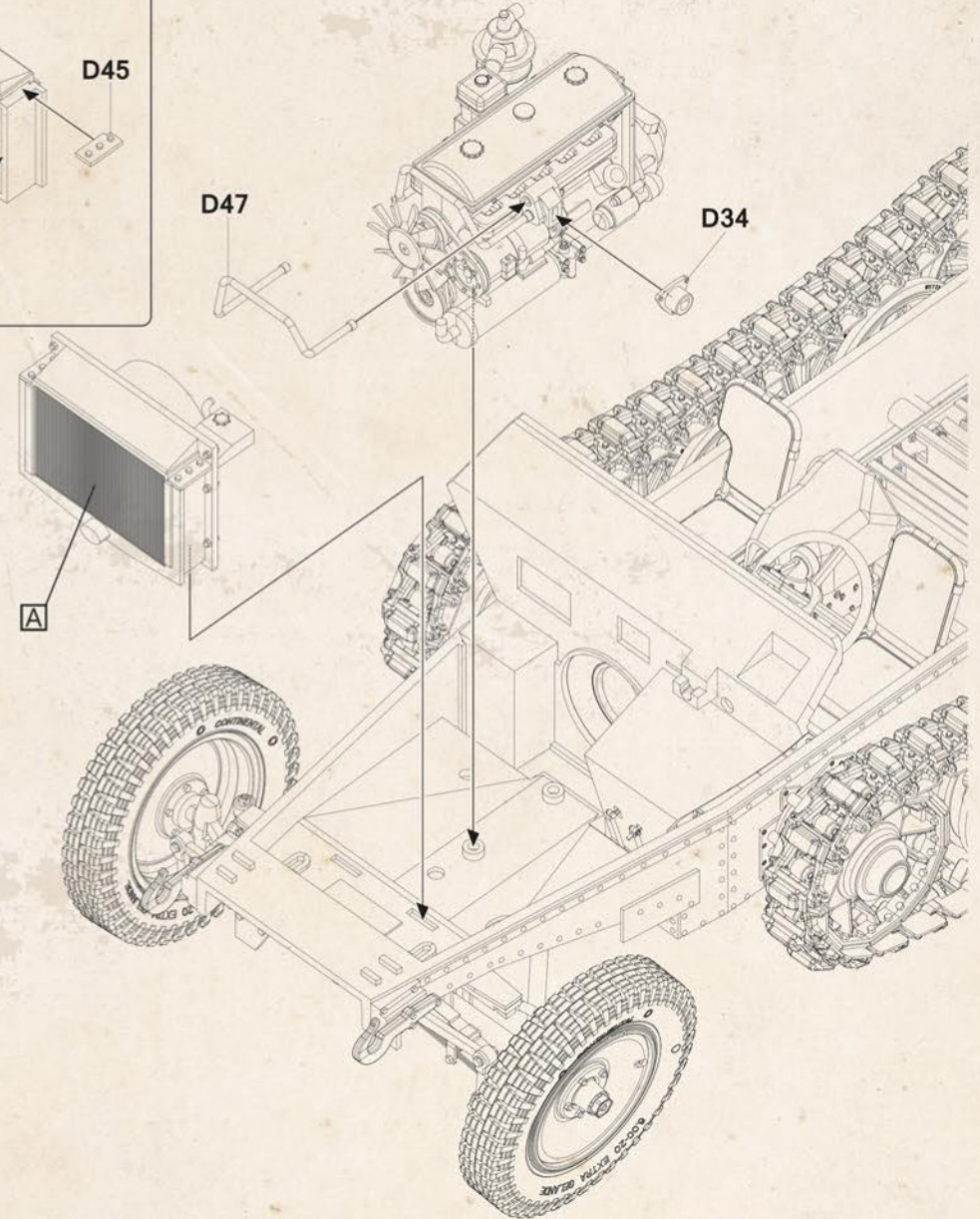
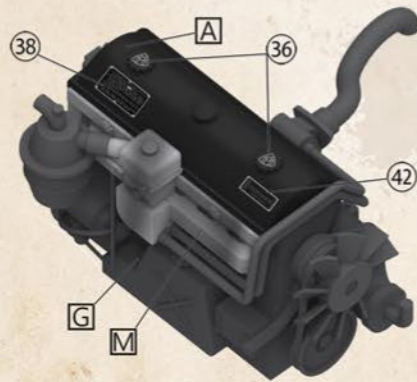
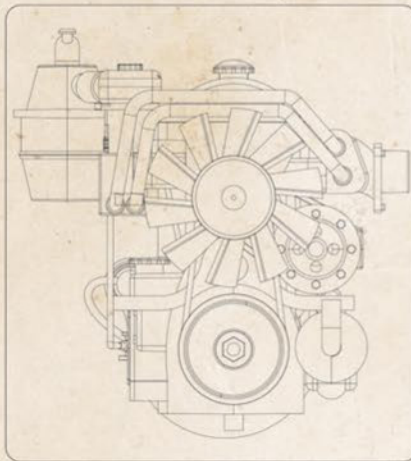
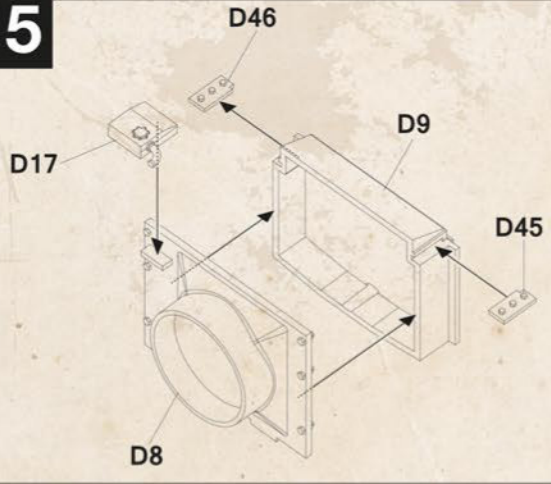
13



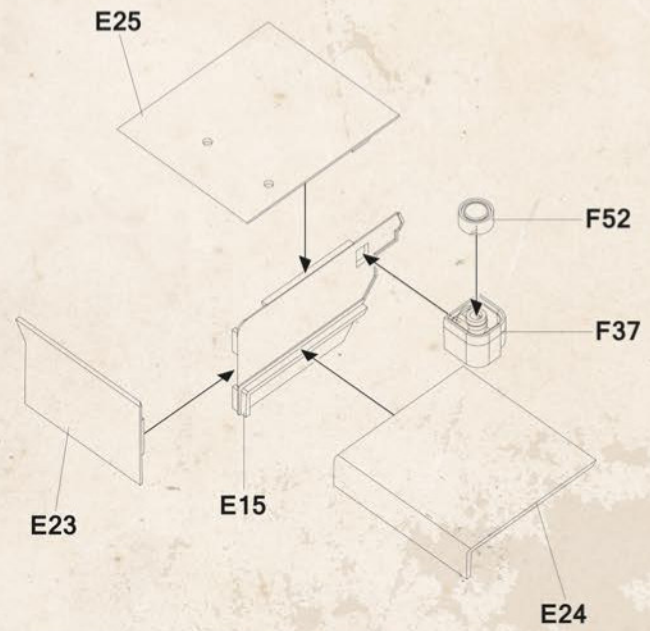
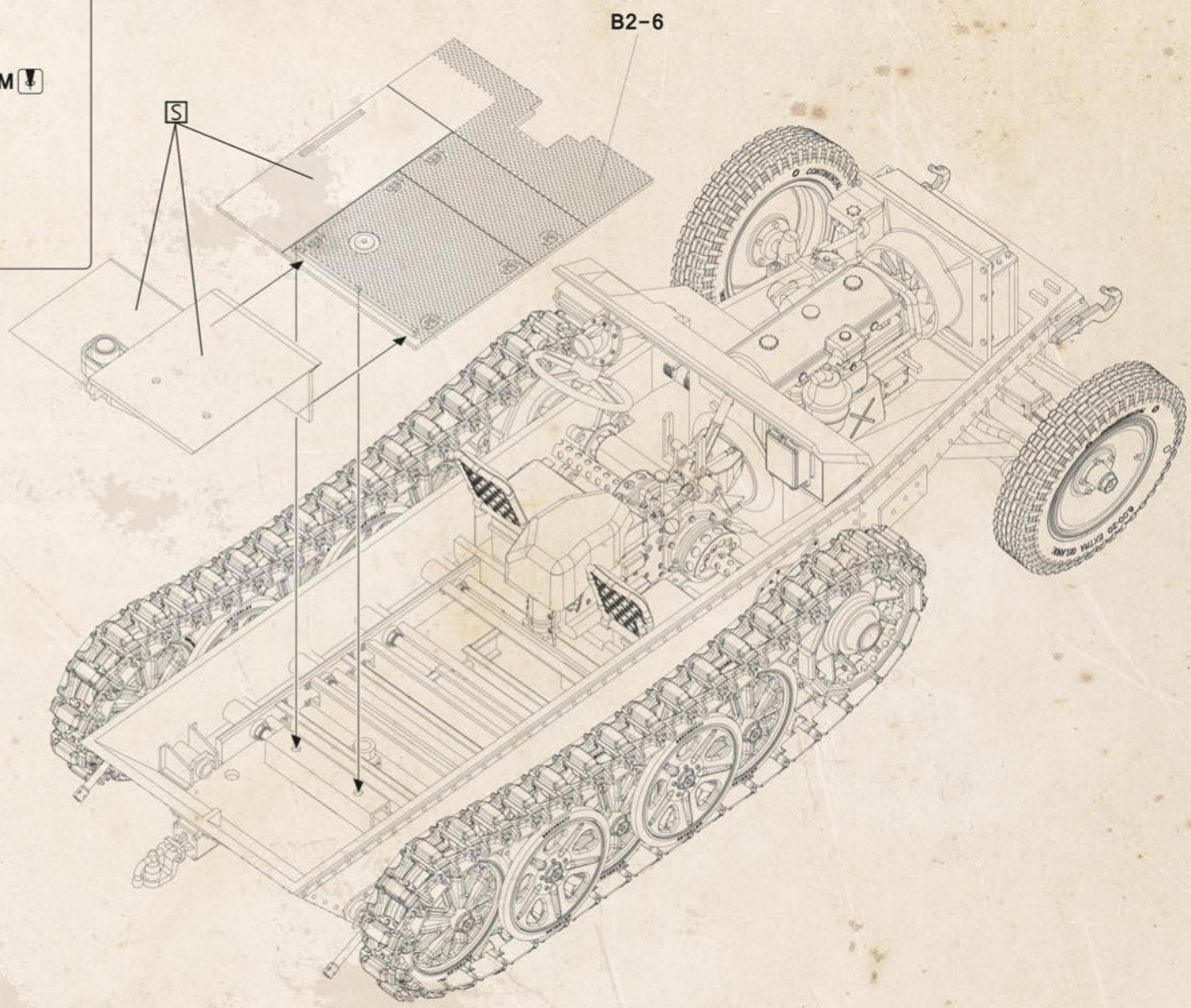
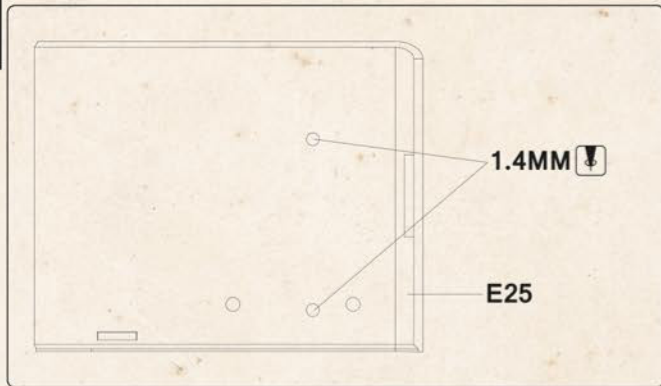
14



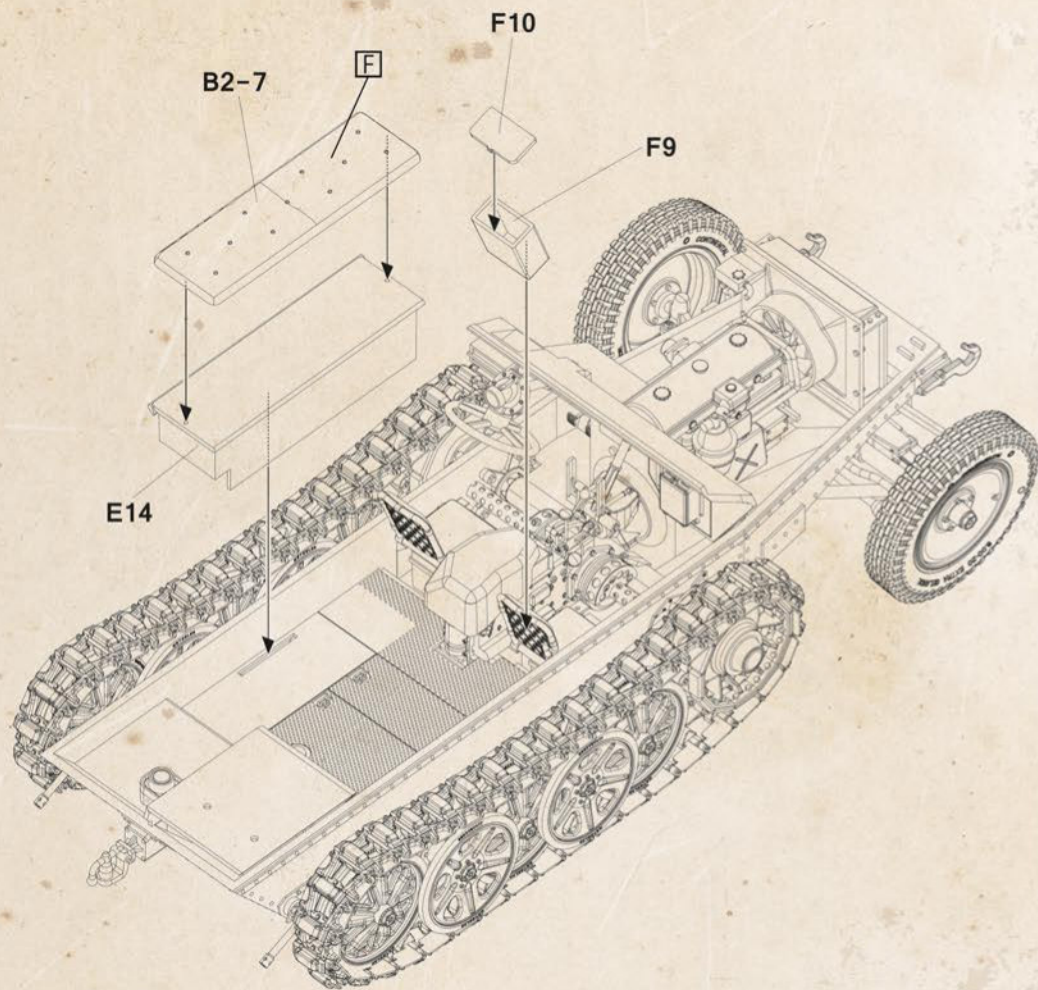
15



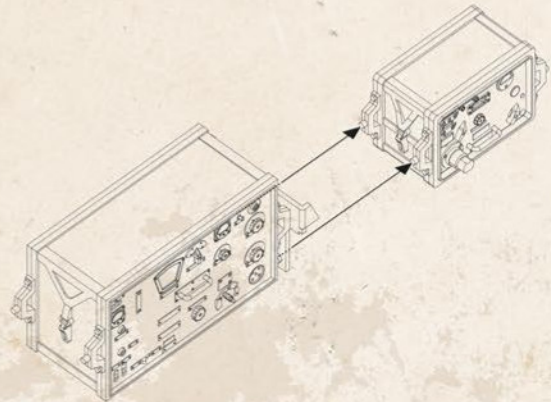
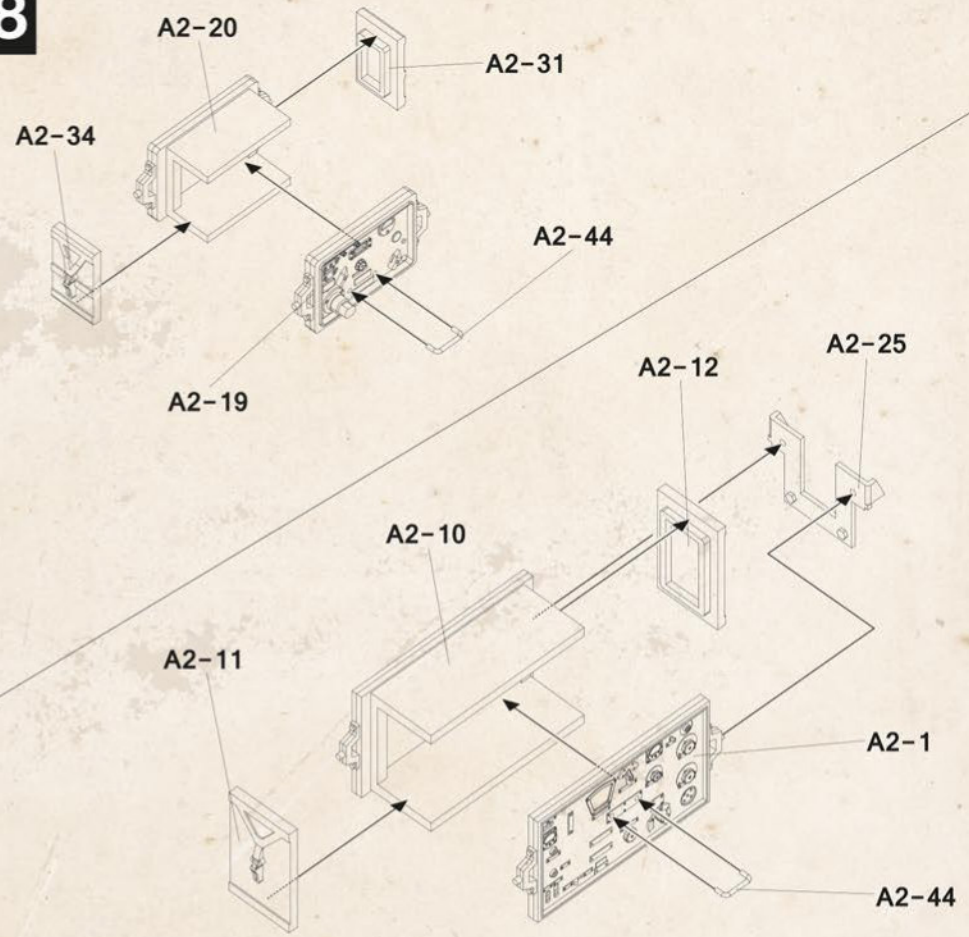
12



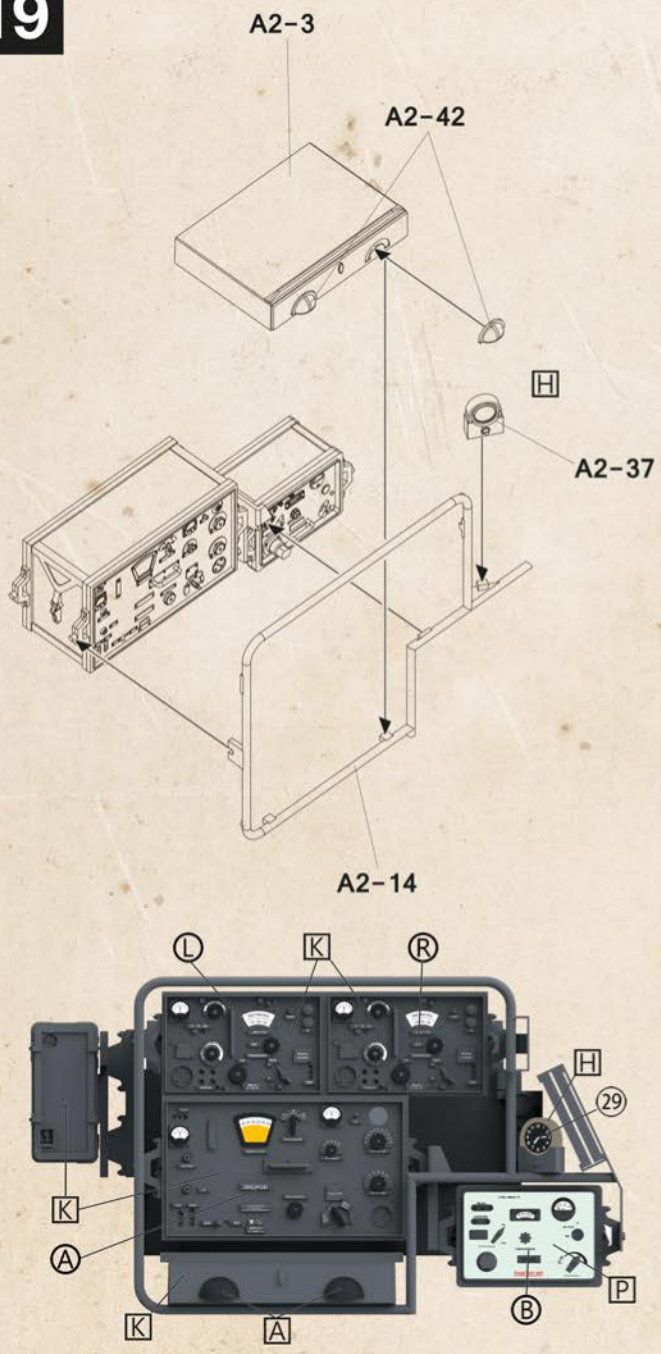
17



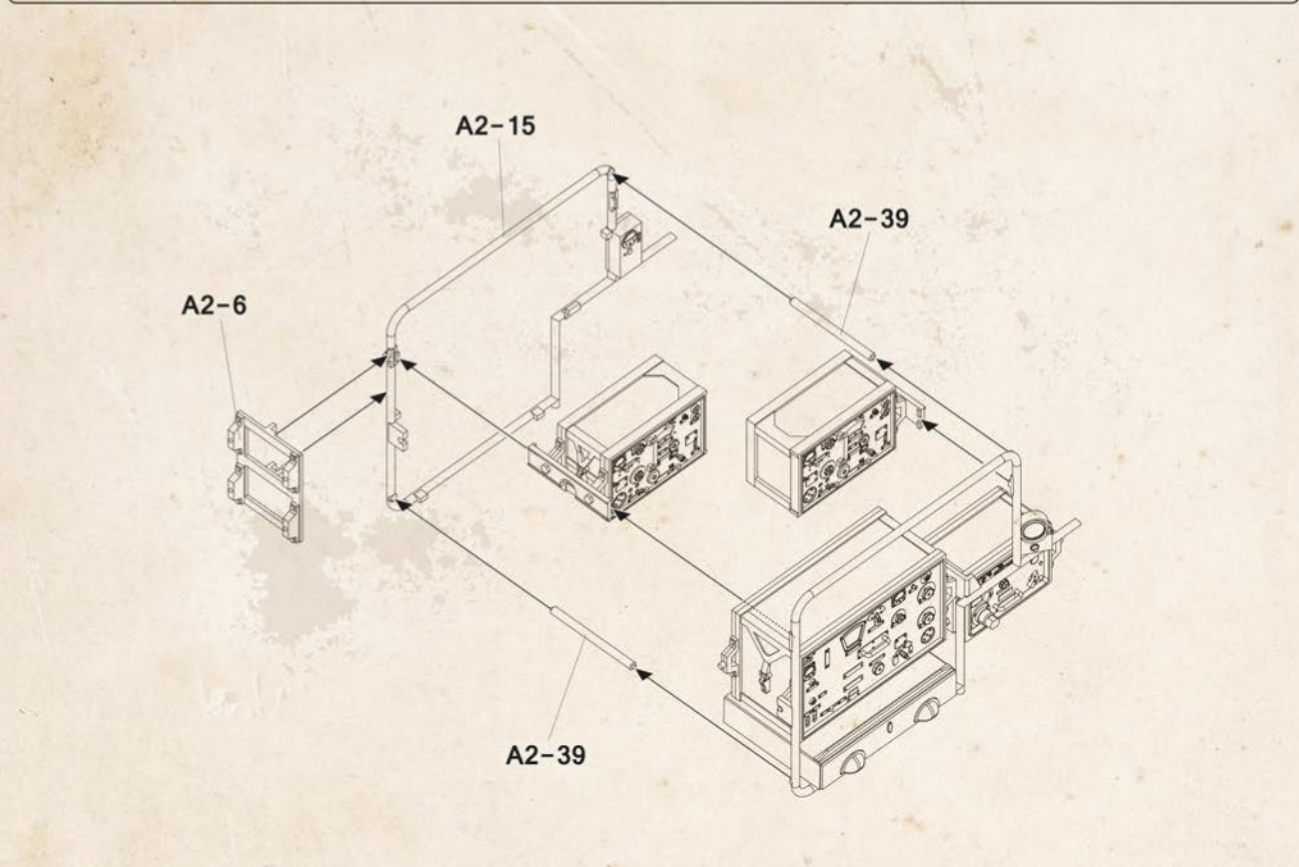
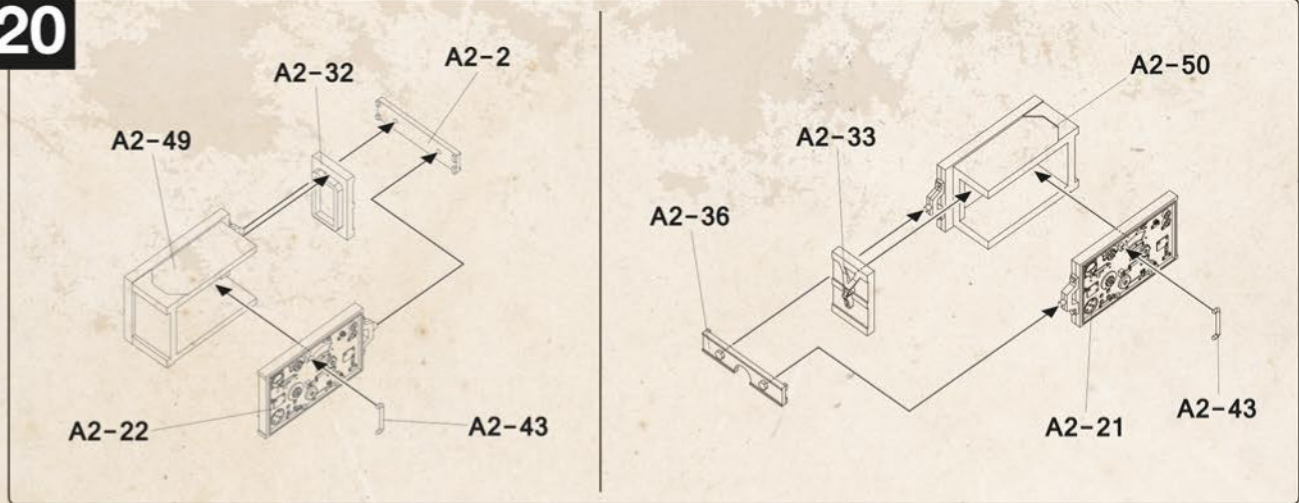
18



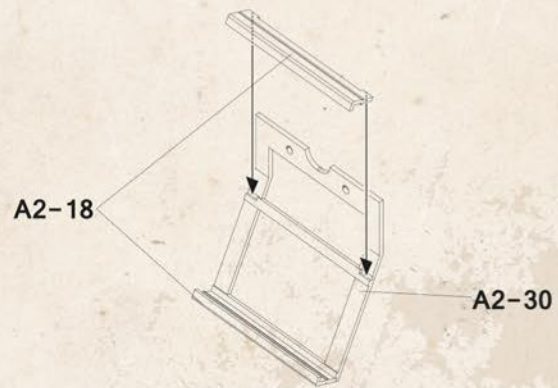
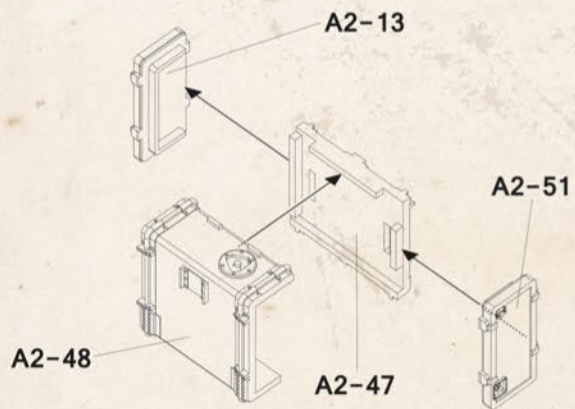
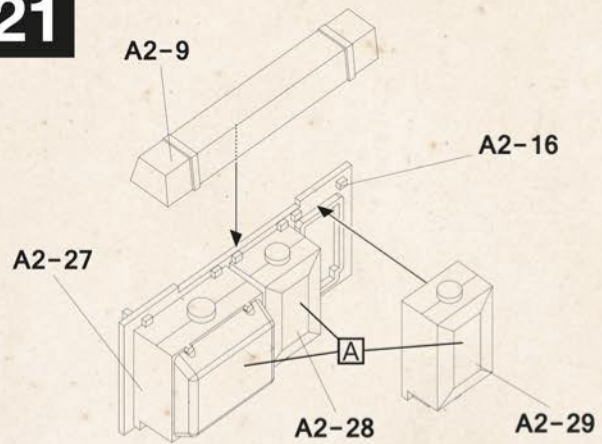
19



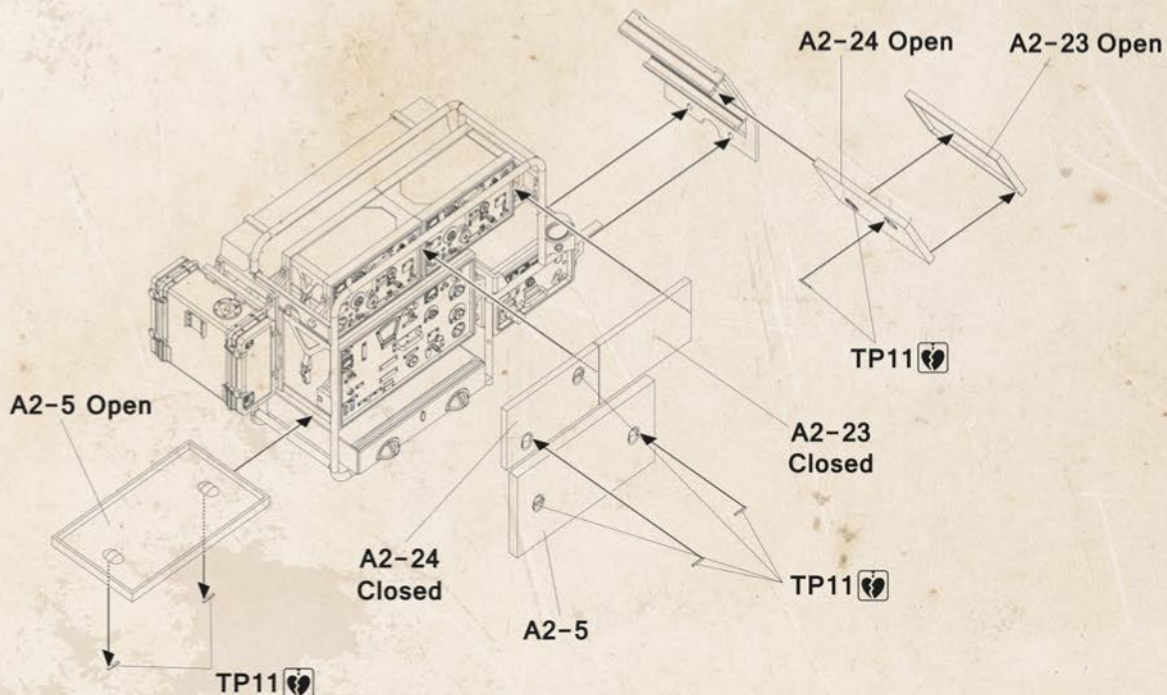
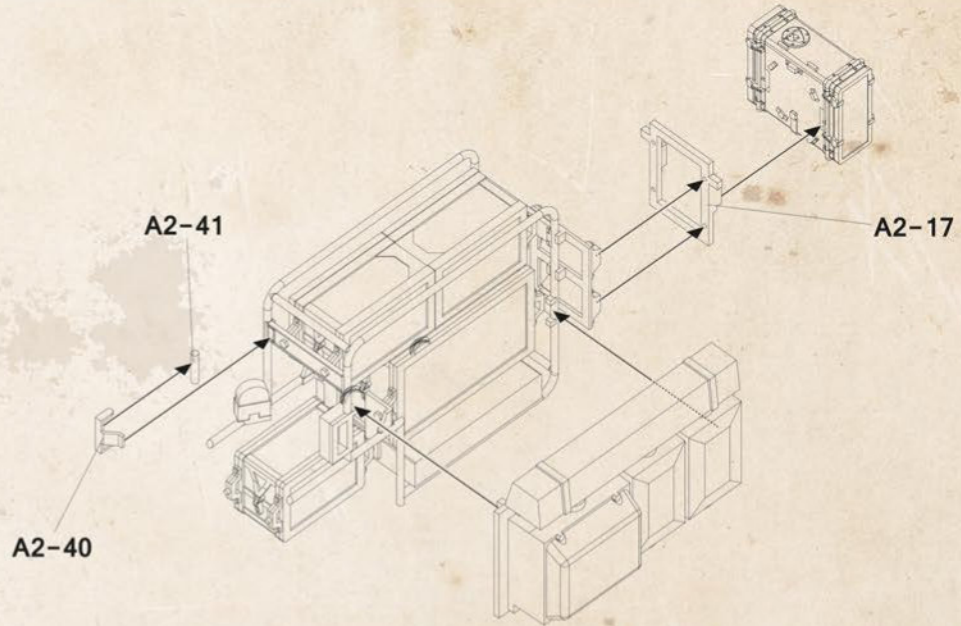
20



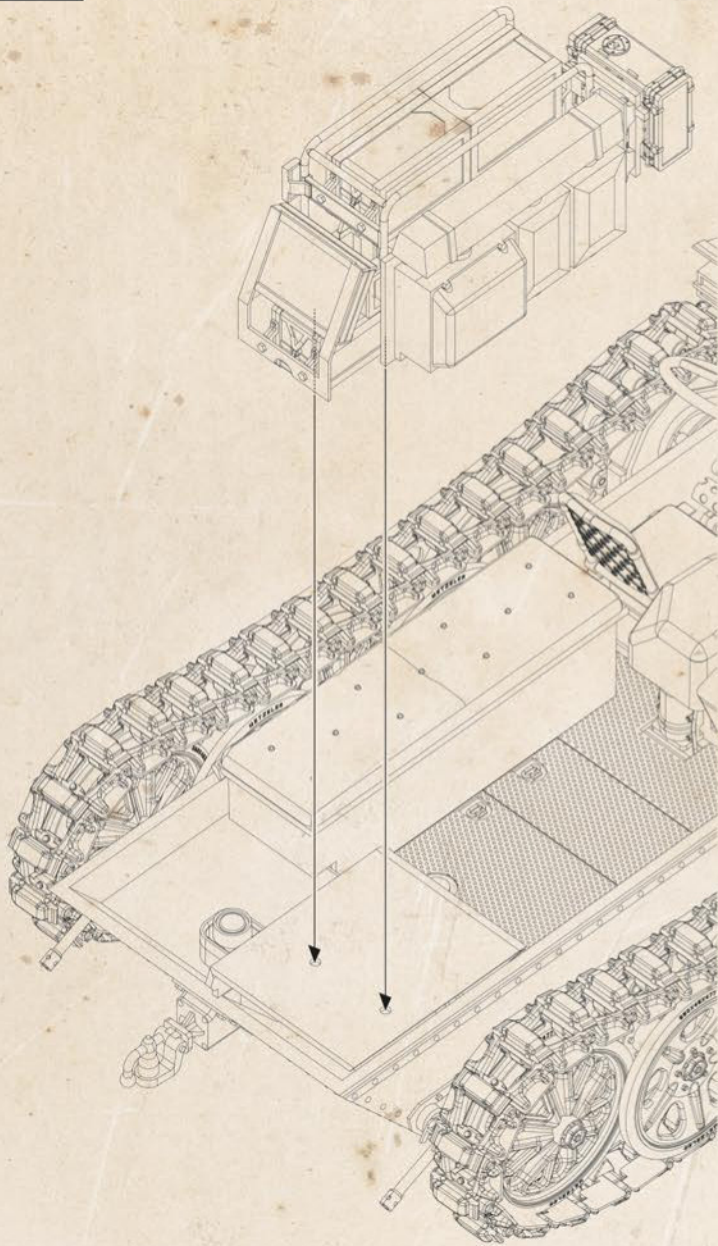
21



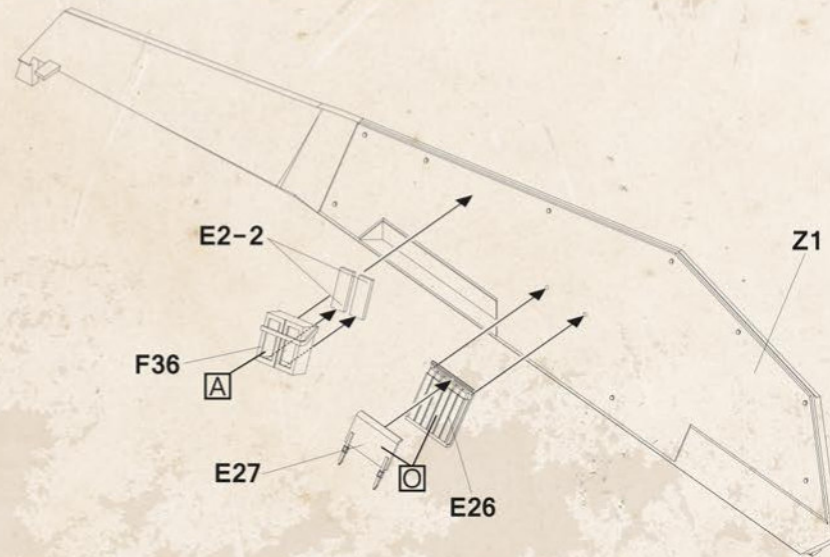
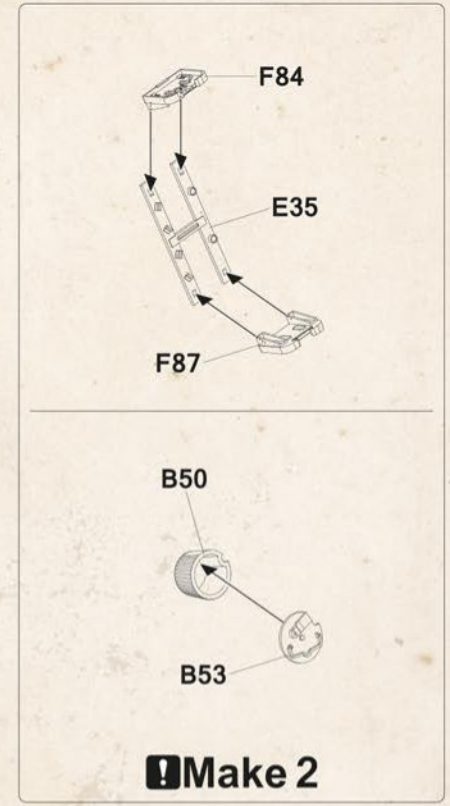
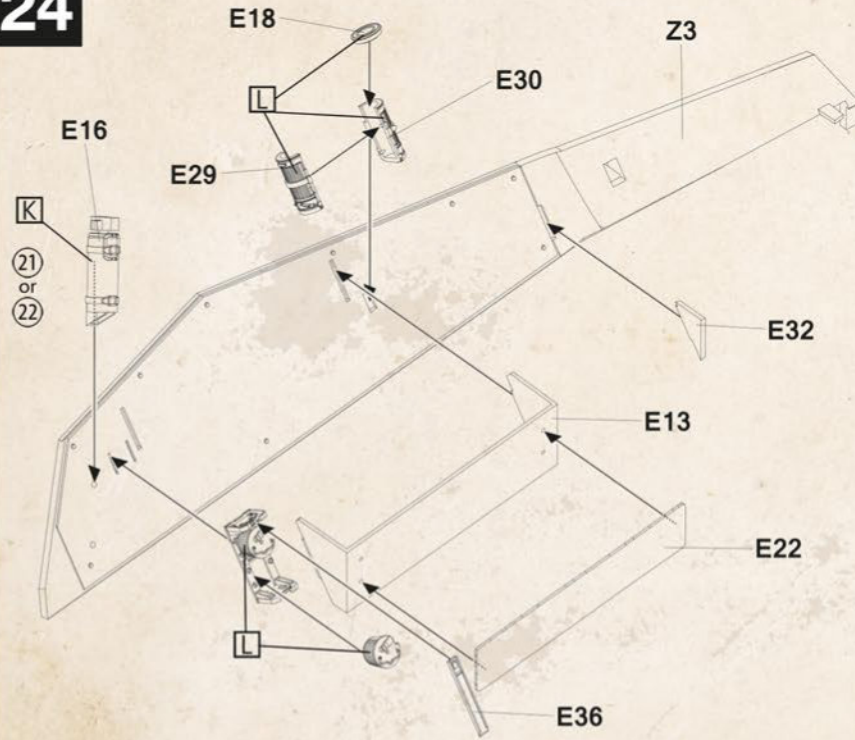
22

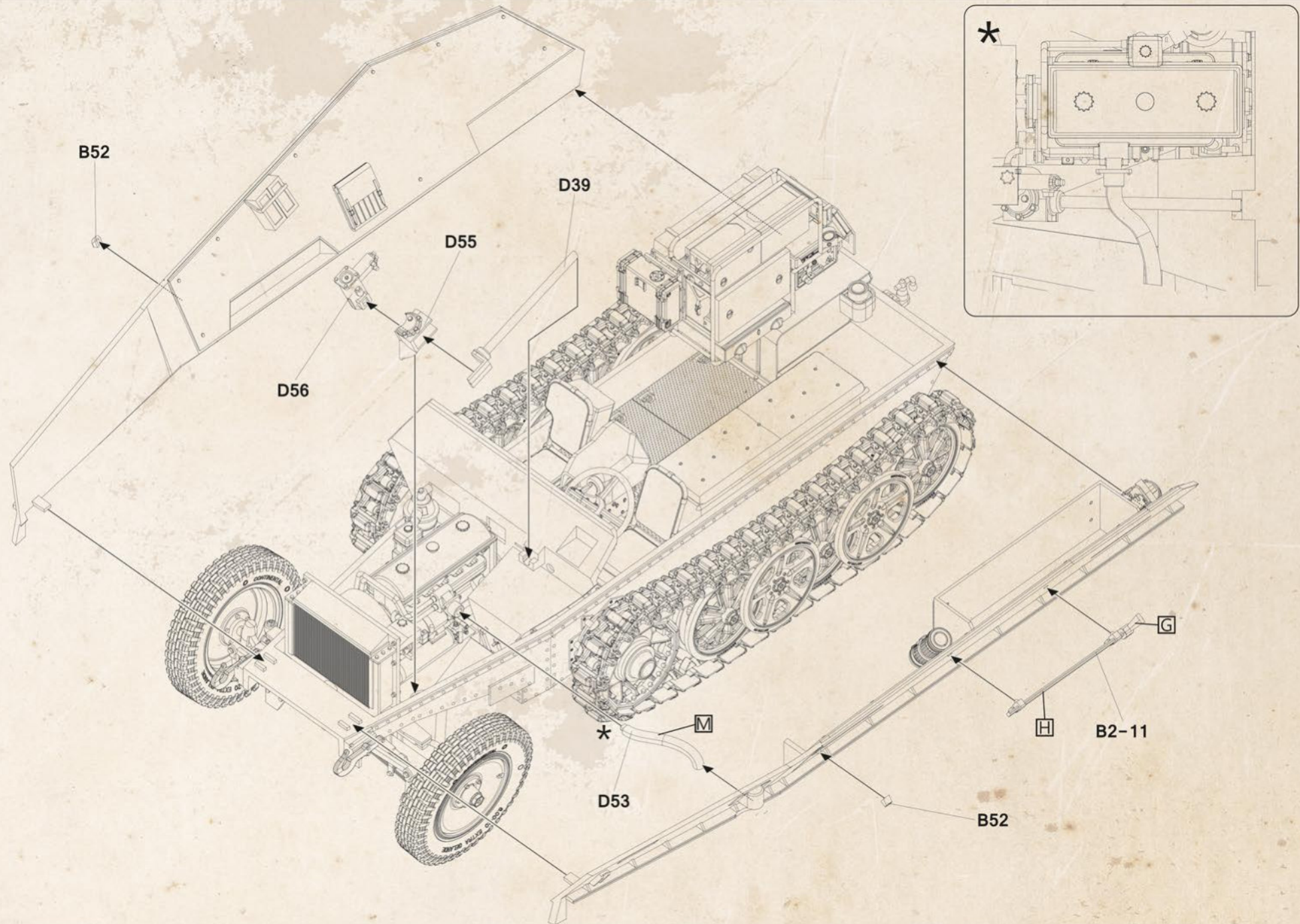


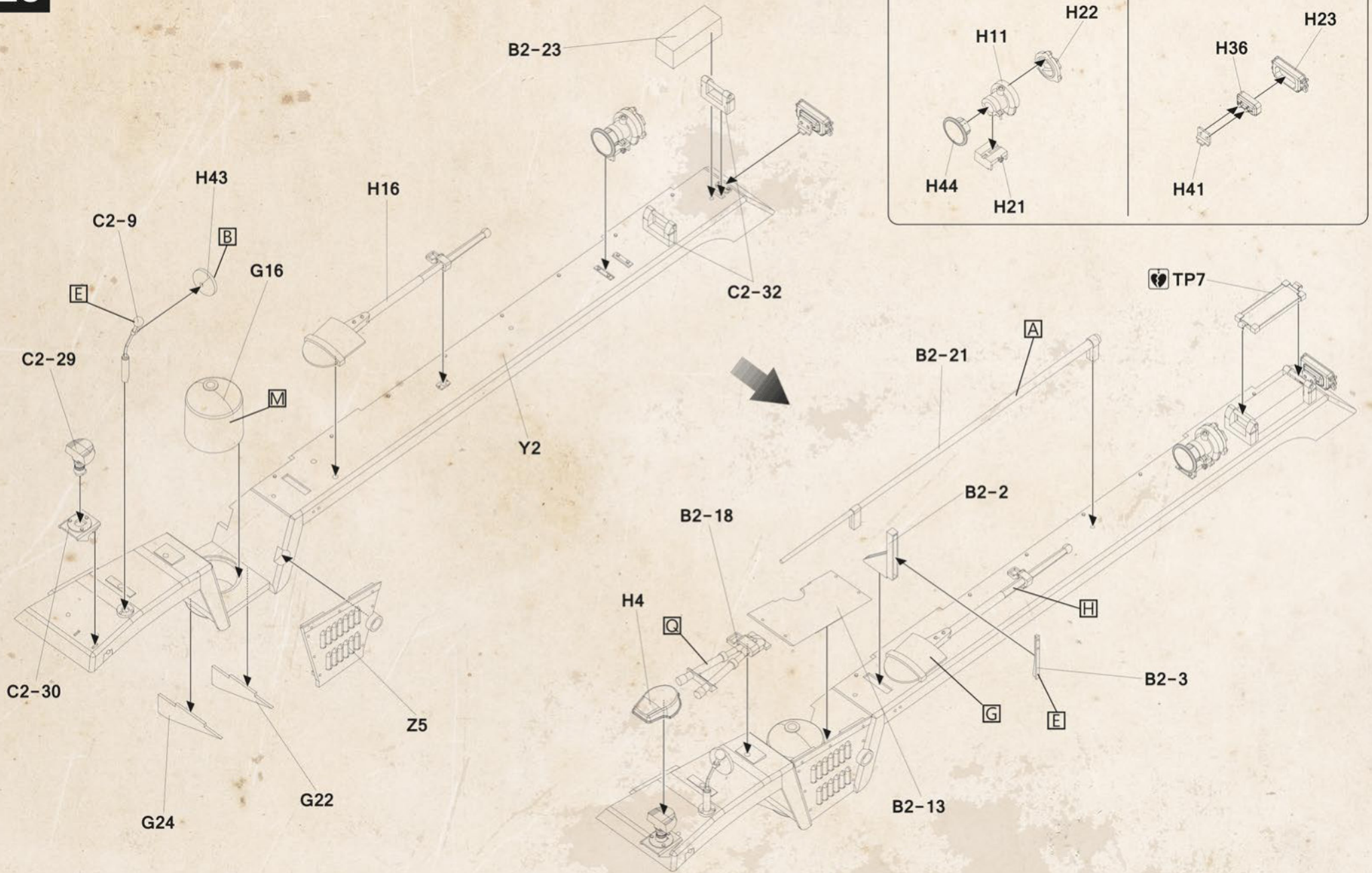
23



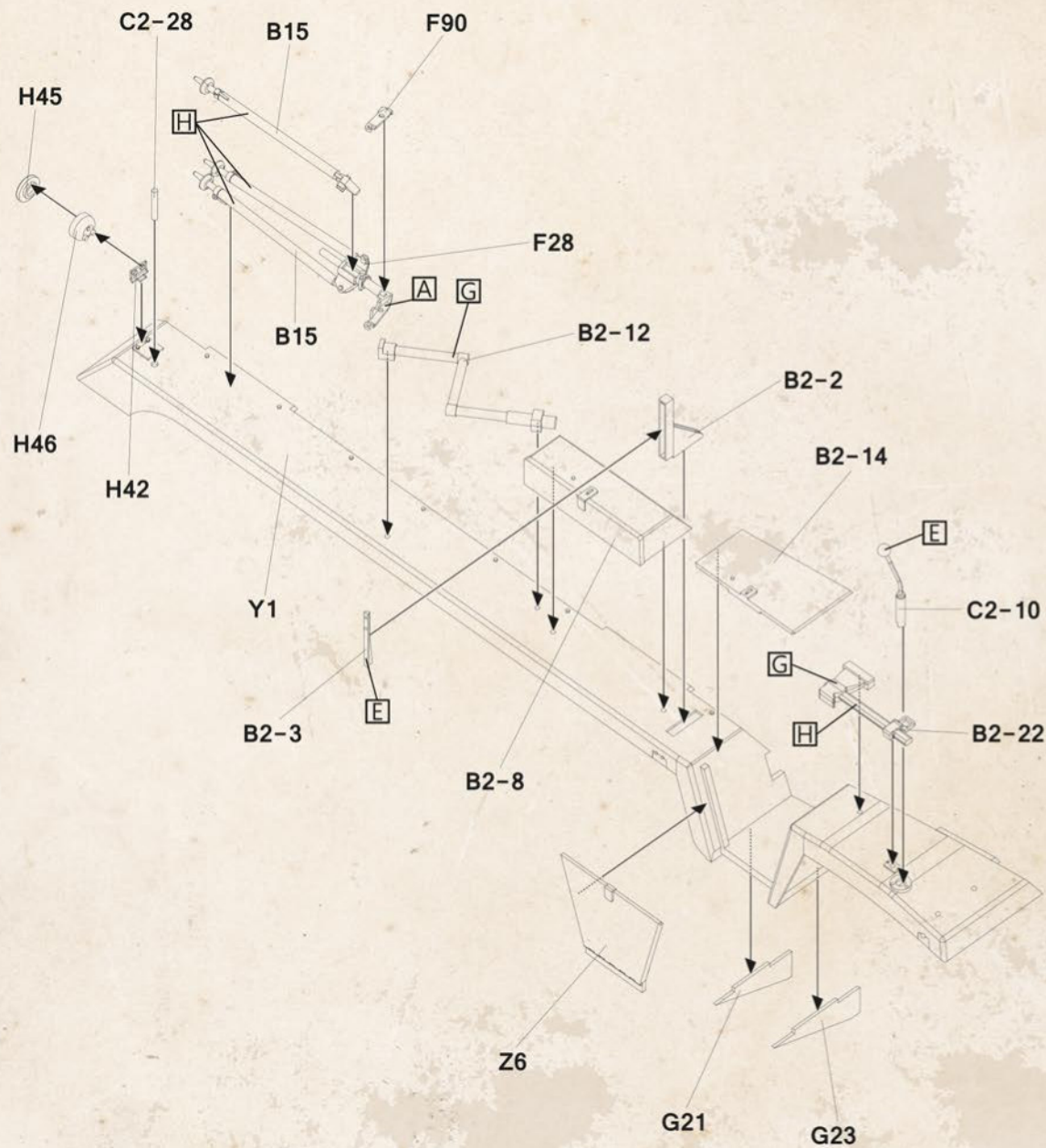
24



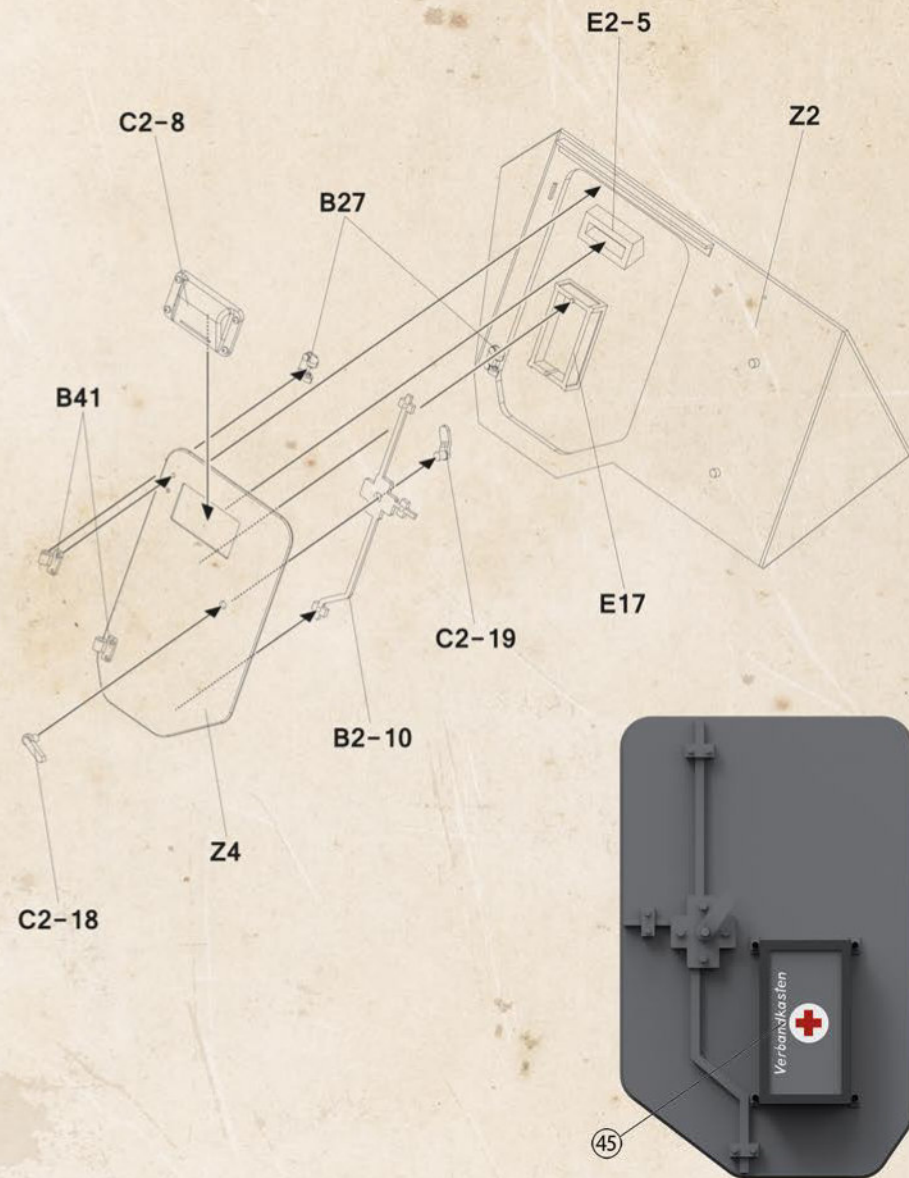


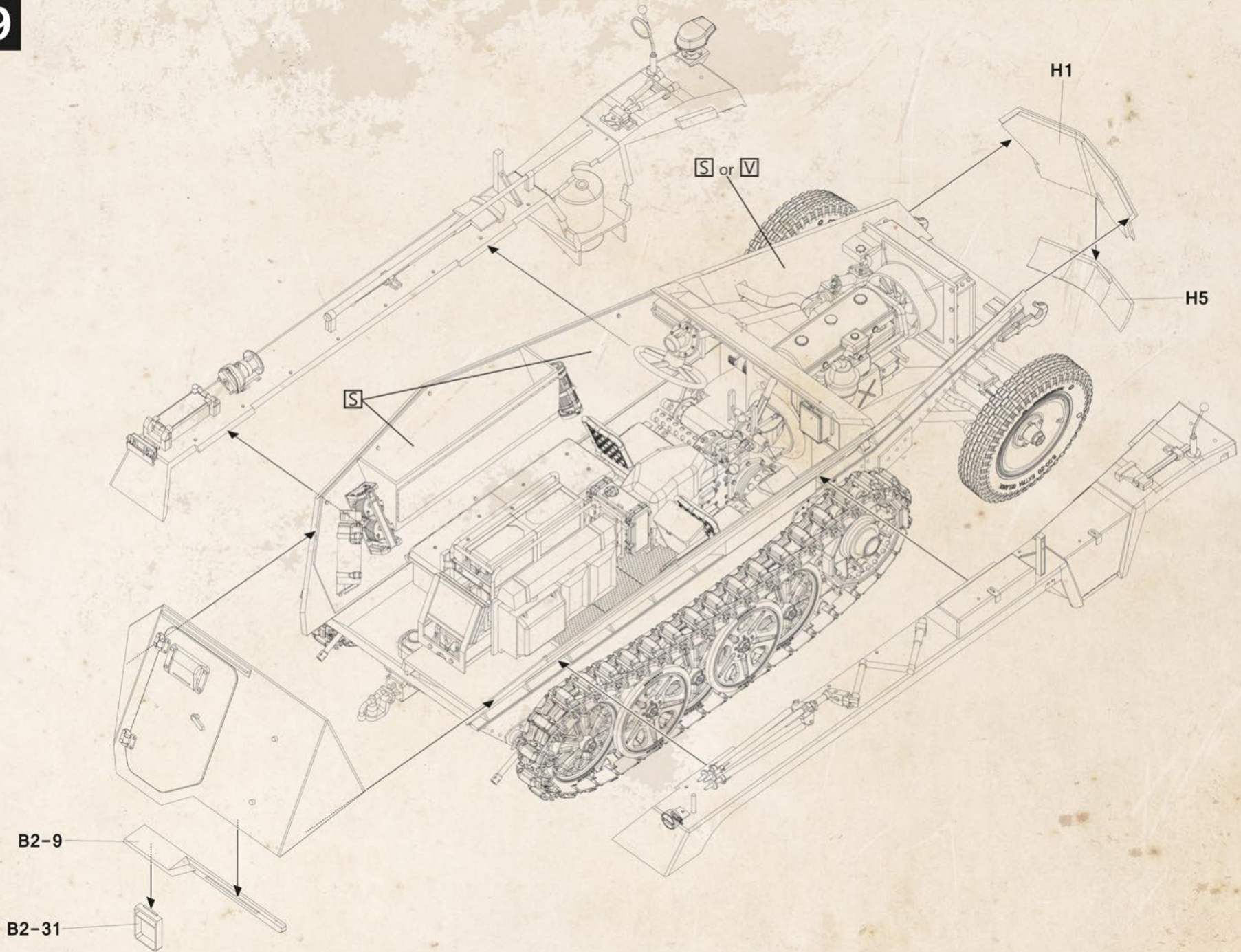


27

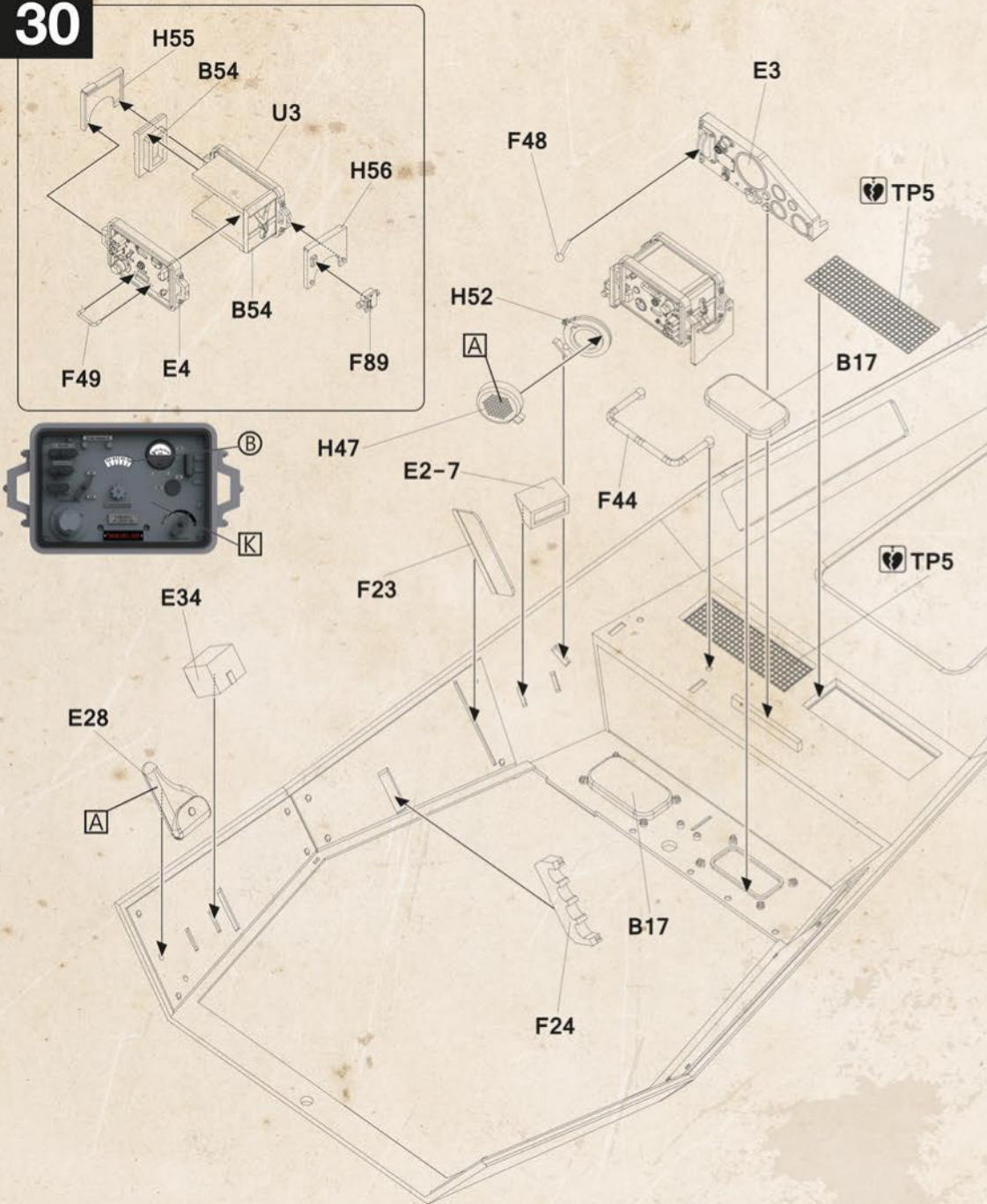


28

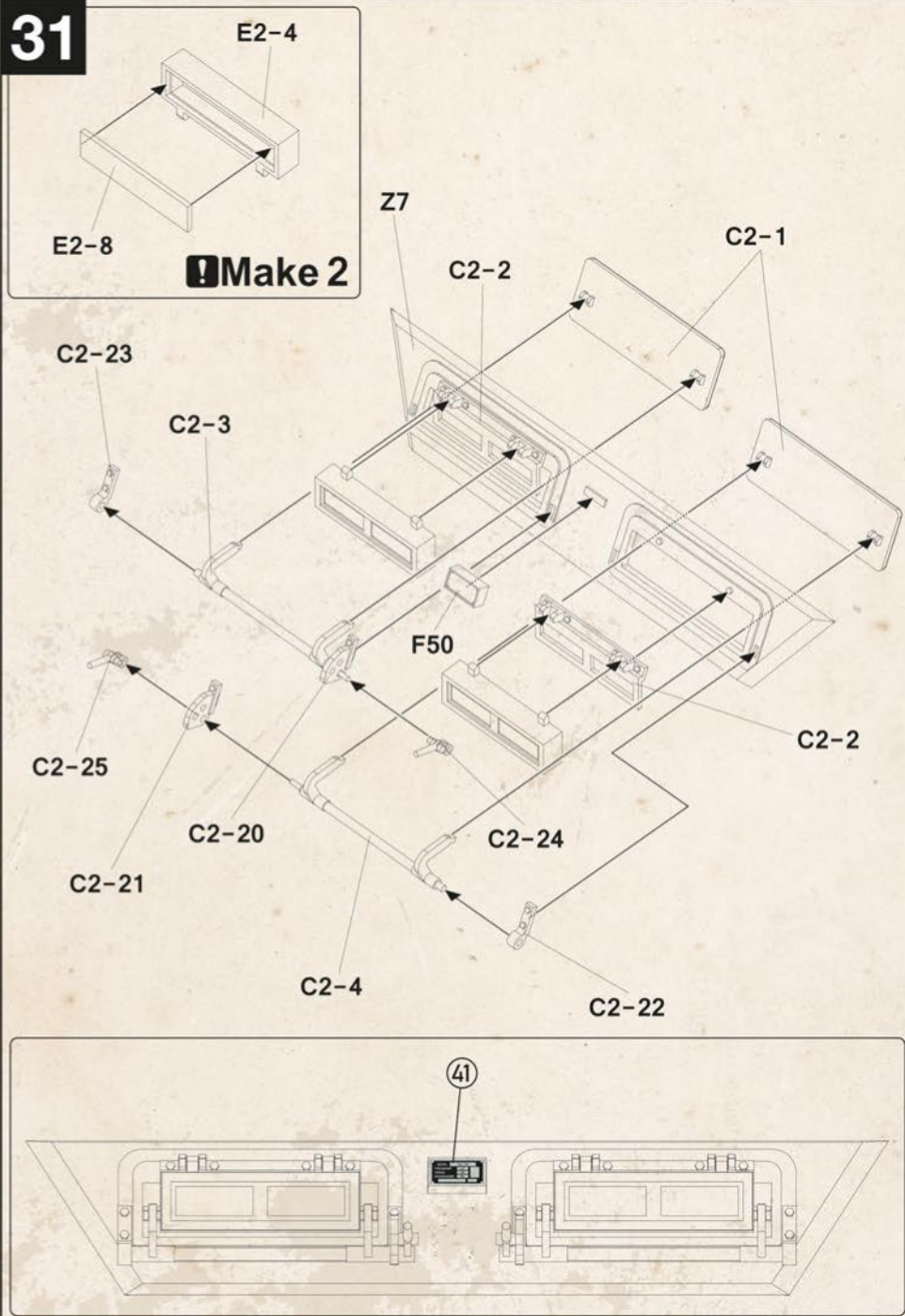


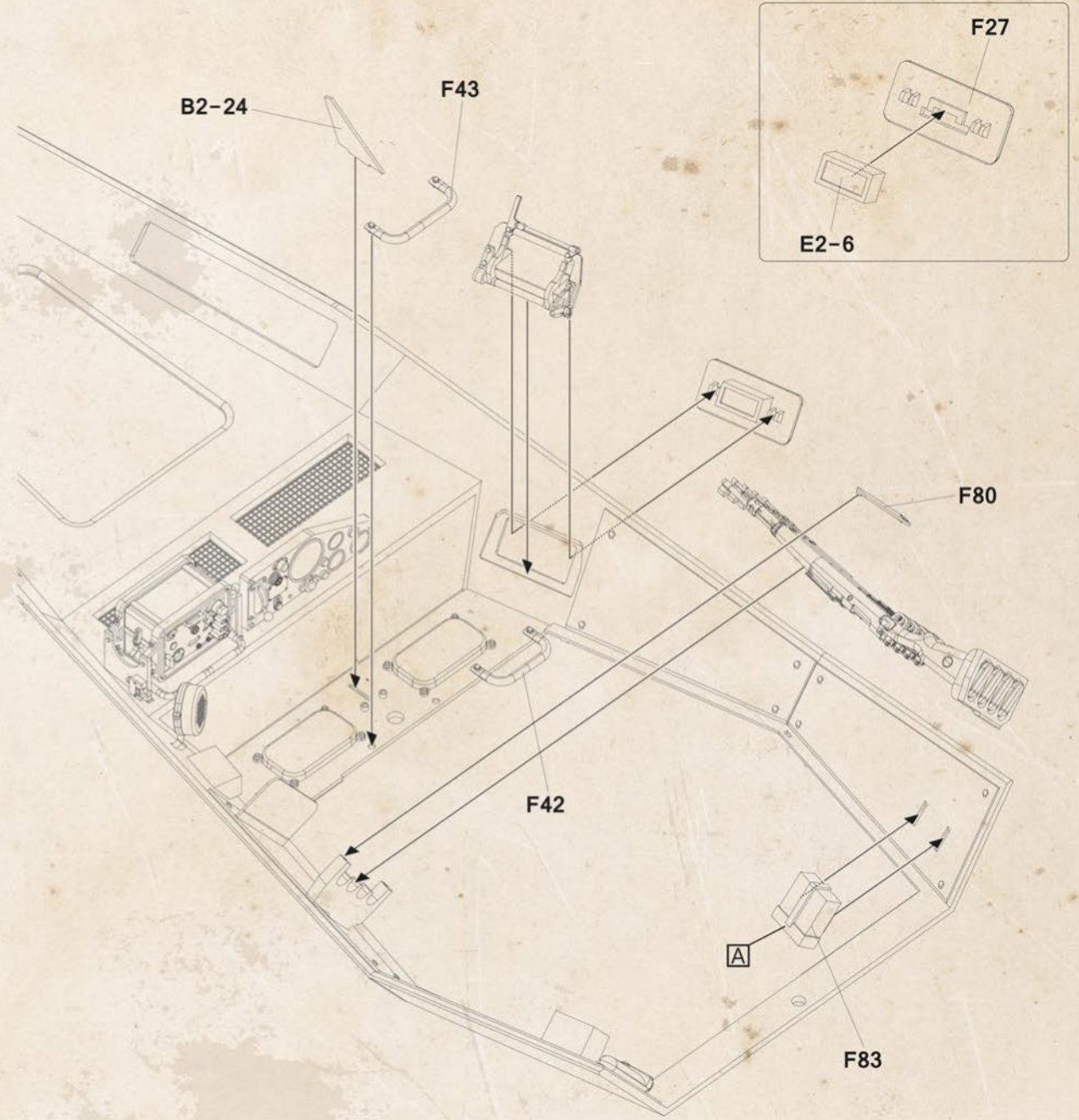
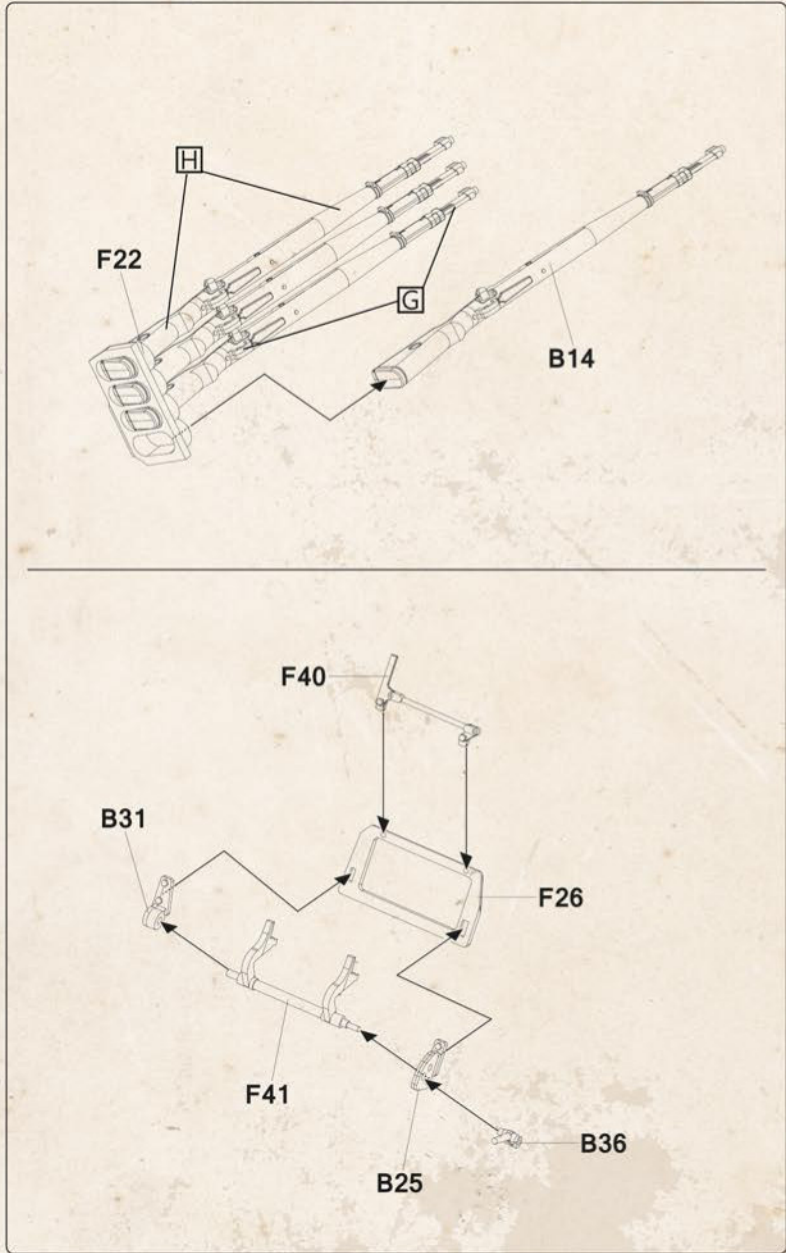


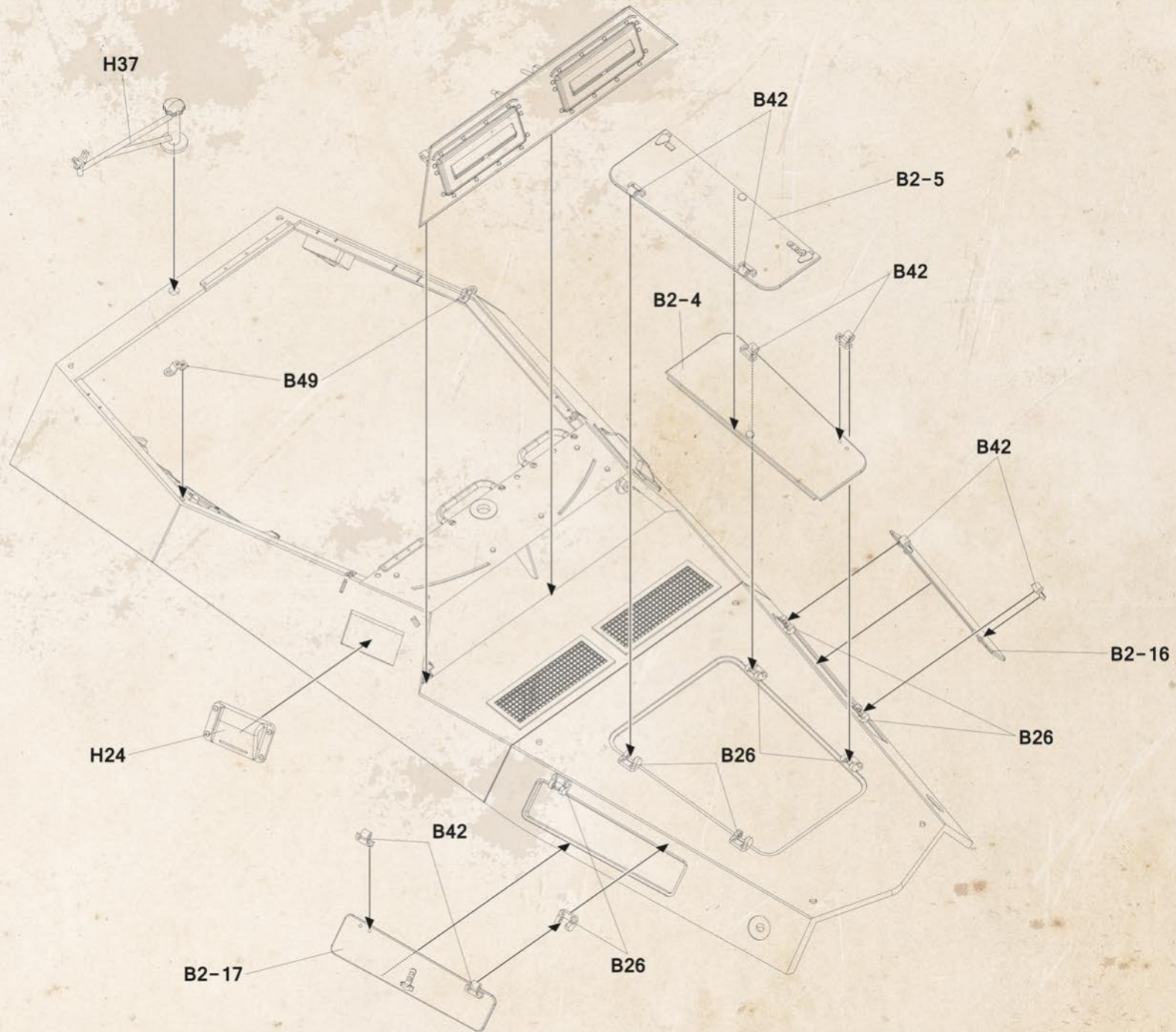
30

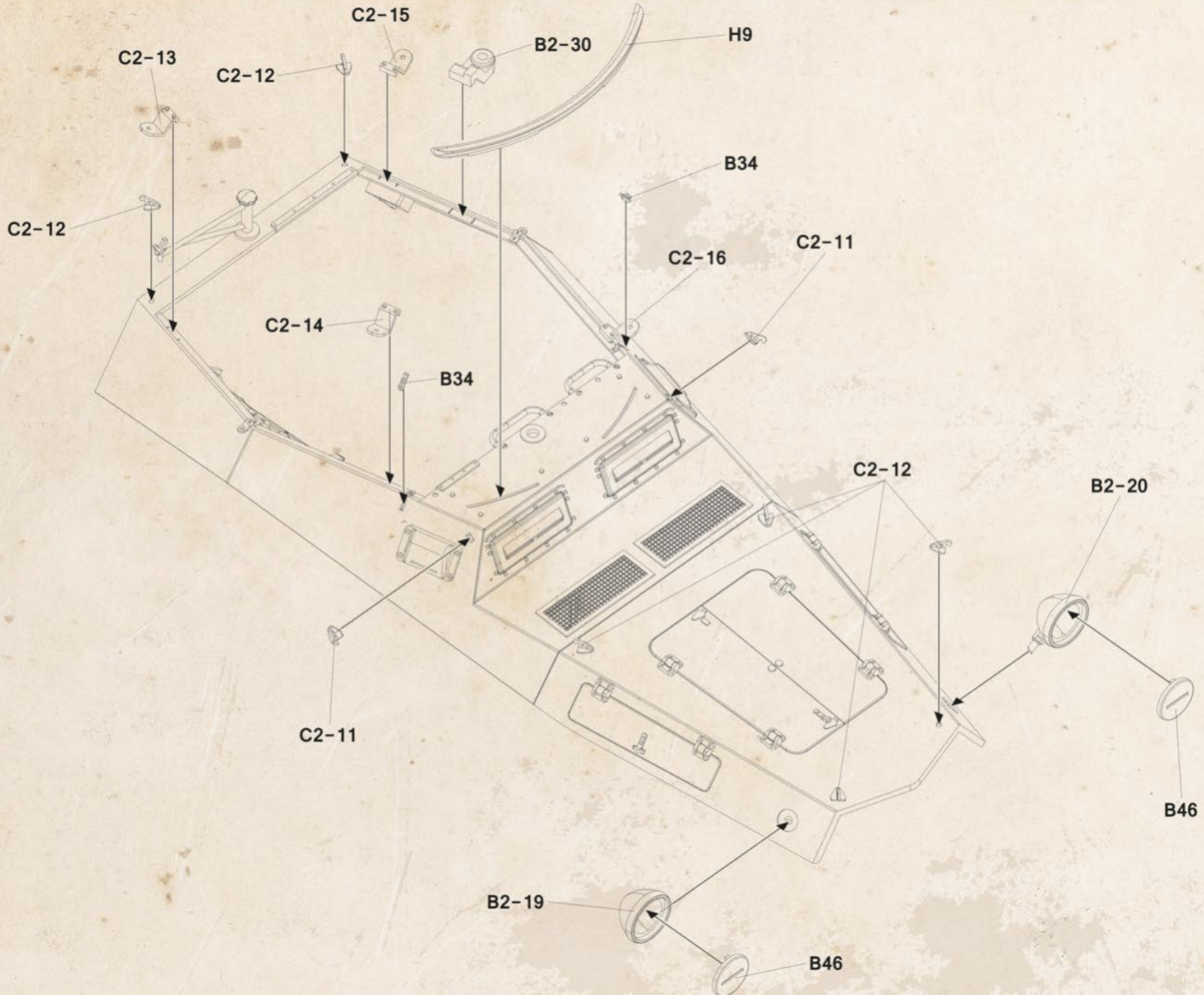


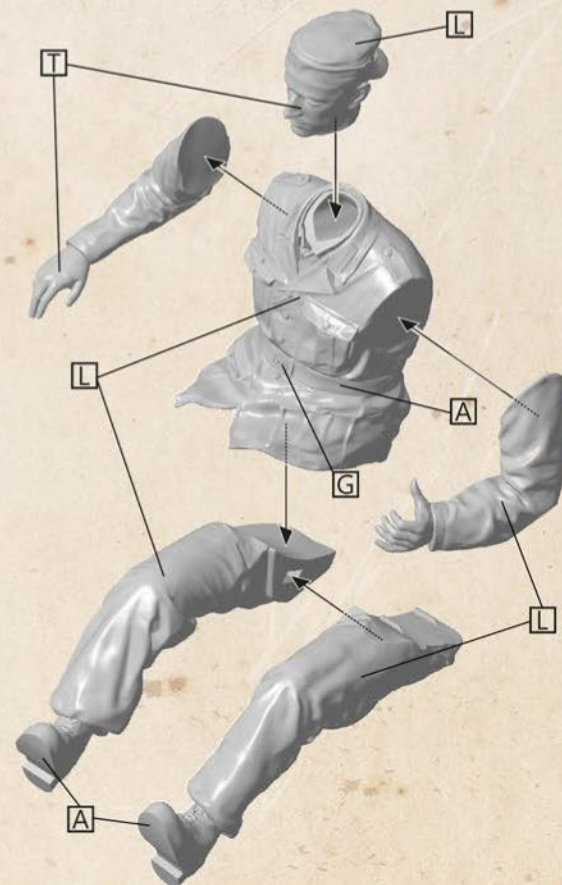
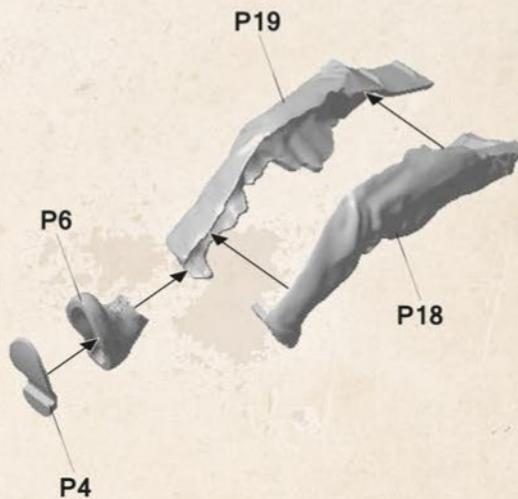
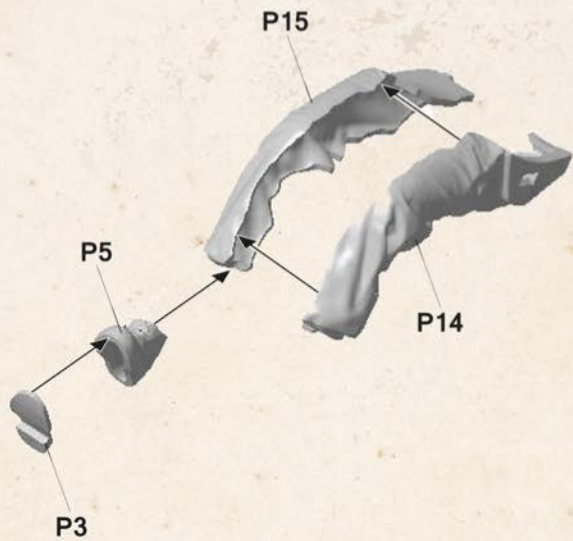
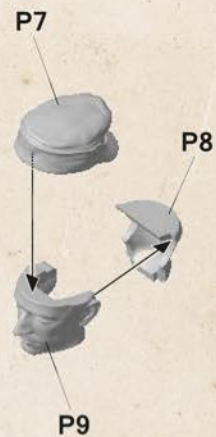
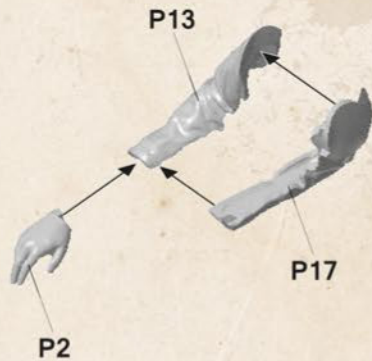
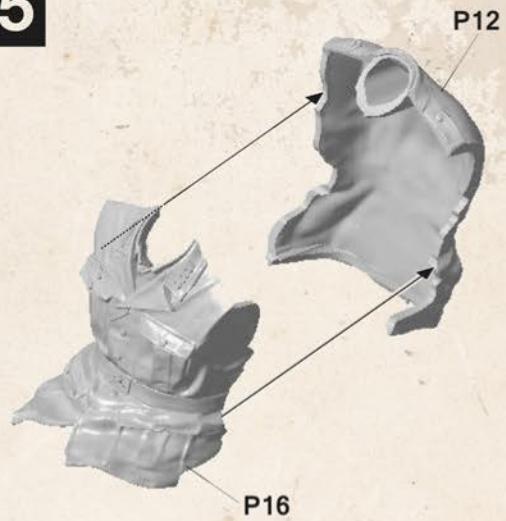
31



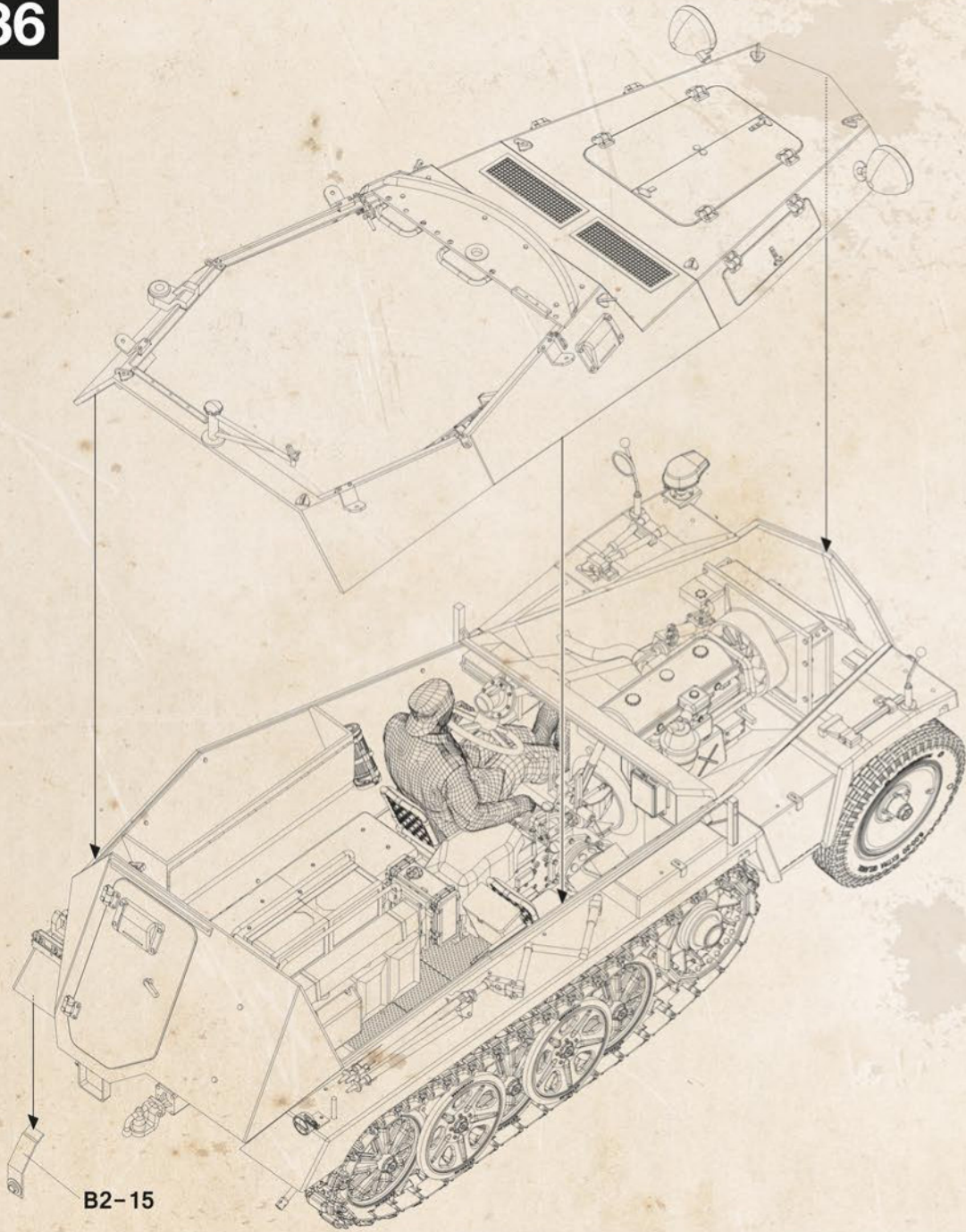




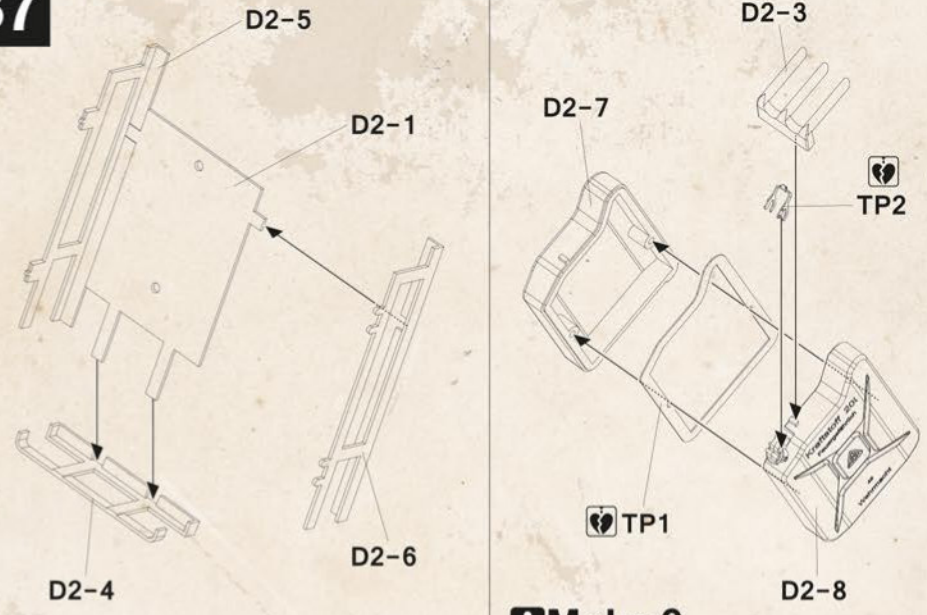




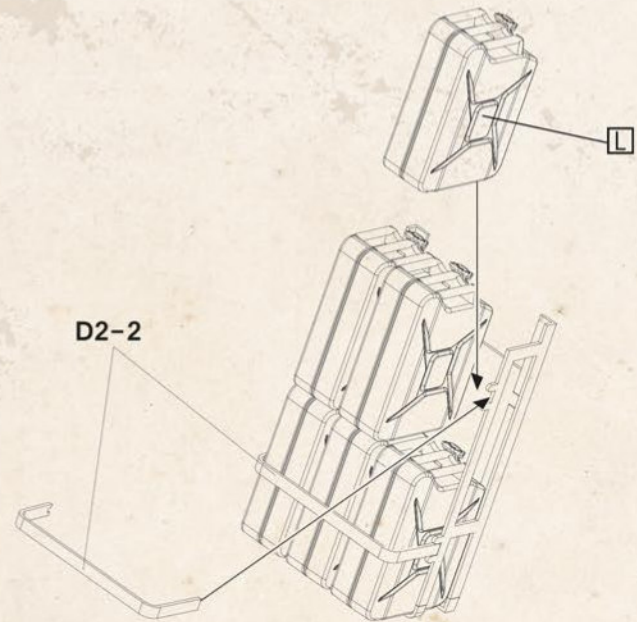
36



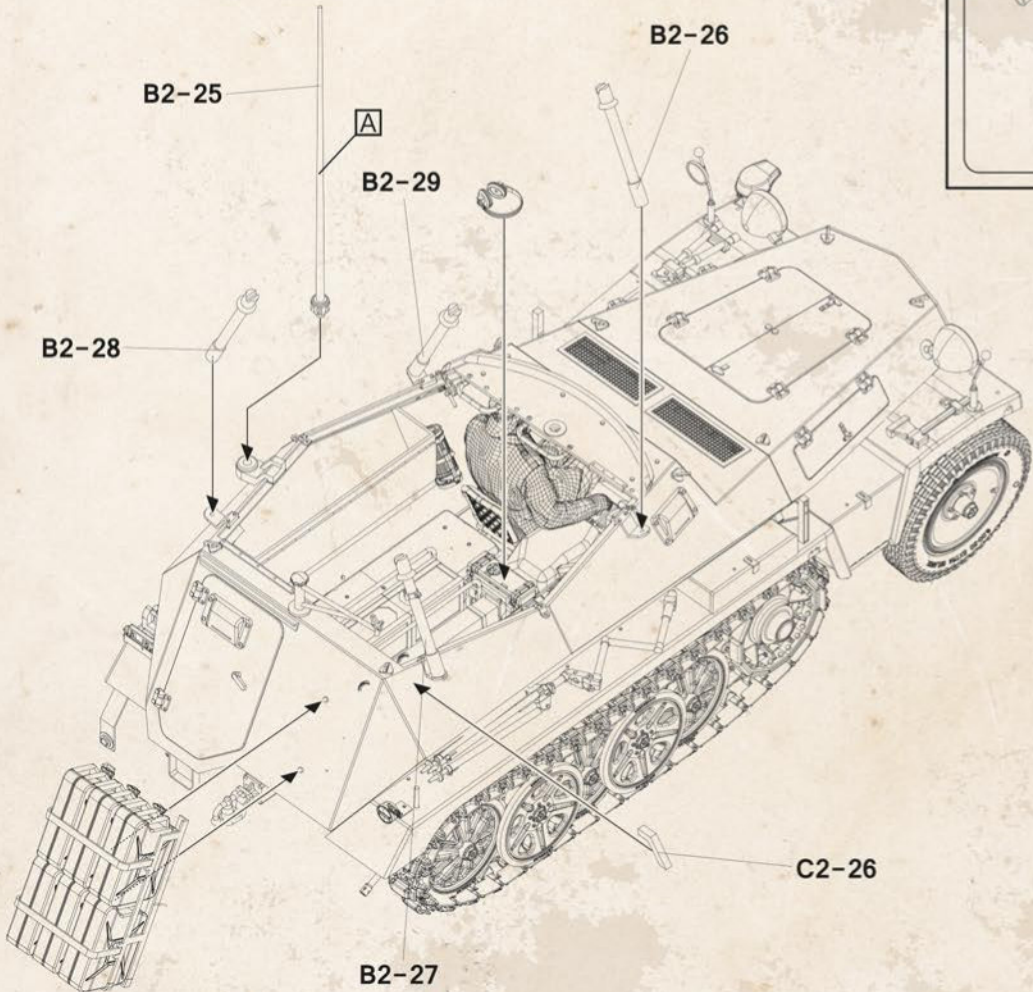
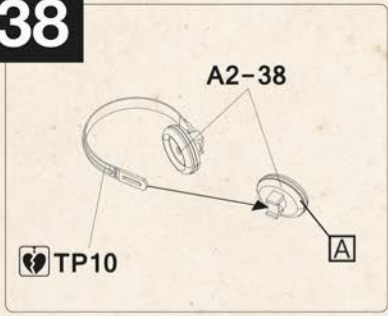
37



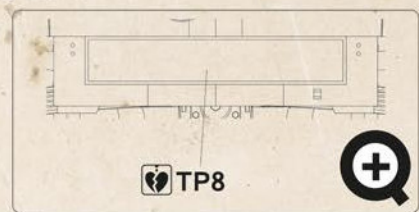
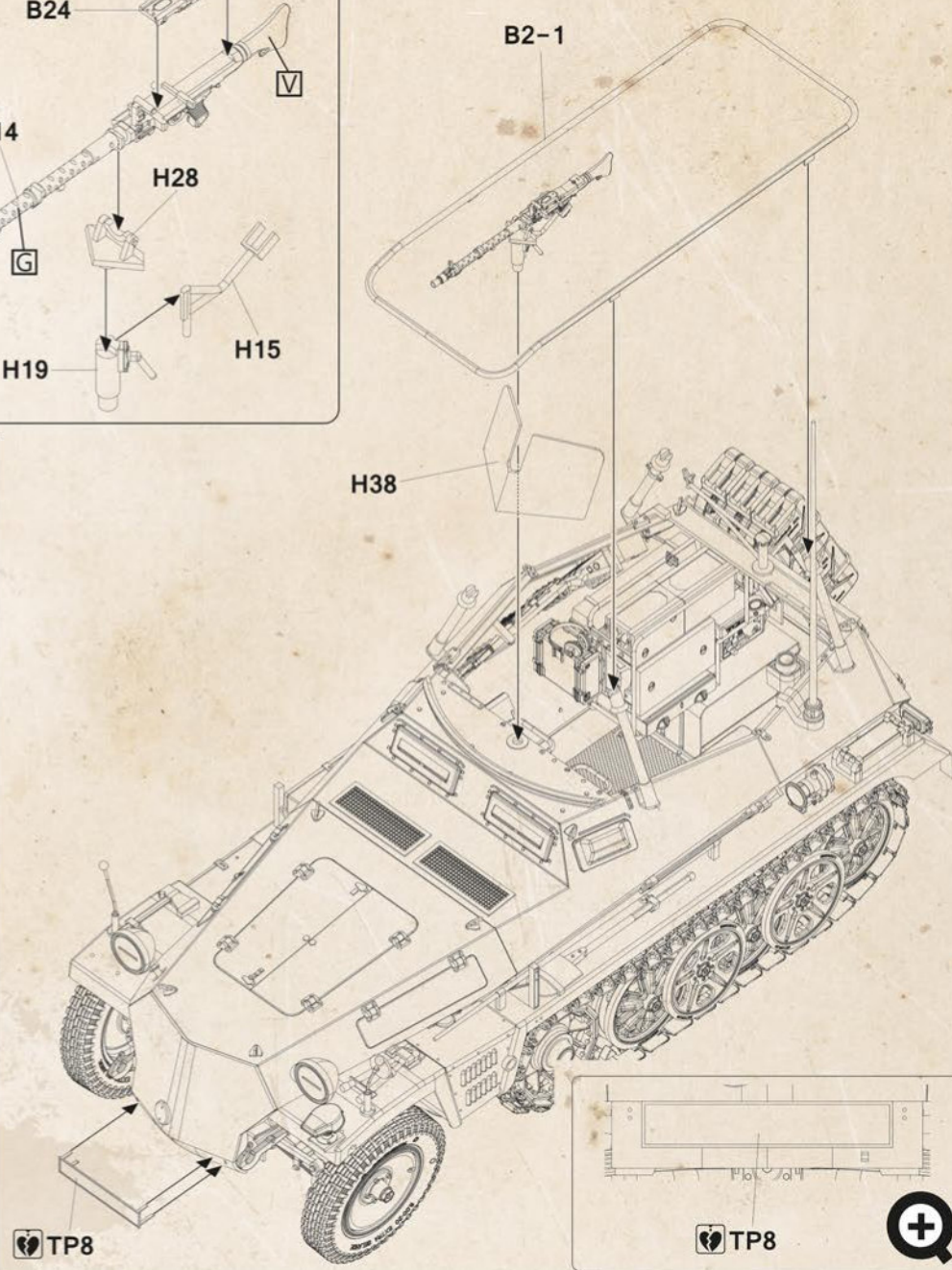
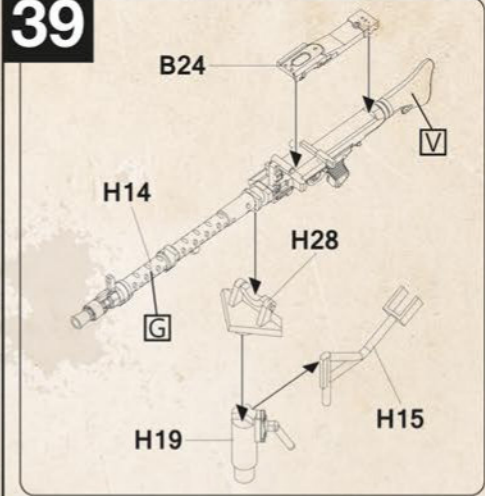
Make 6



38

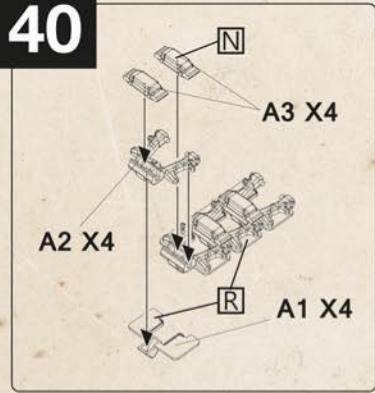


39



40

optional for DAK



A2 X4

A3 X4

A1 X4

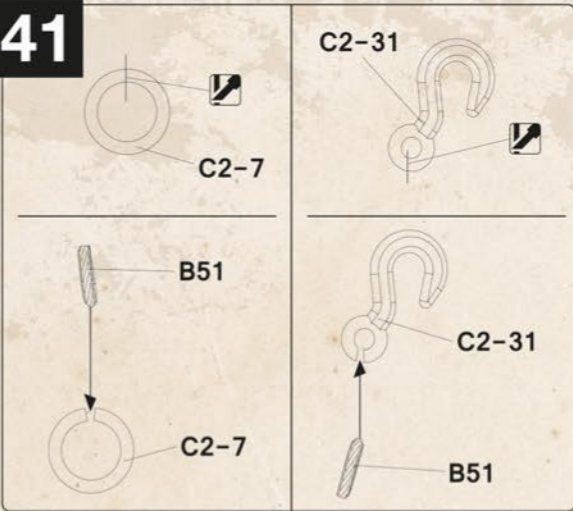
C2-6

C2-17

C2-7

41

optional for DAK



C2-31

C2-7

B51

C2-31

B51

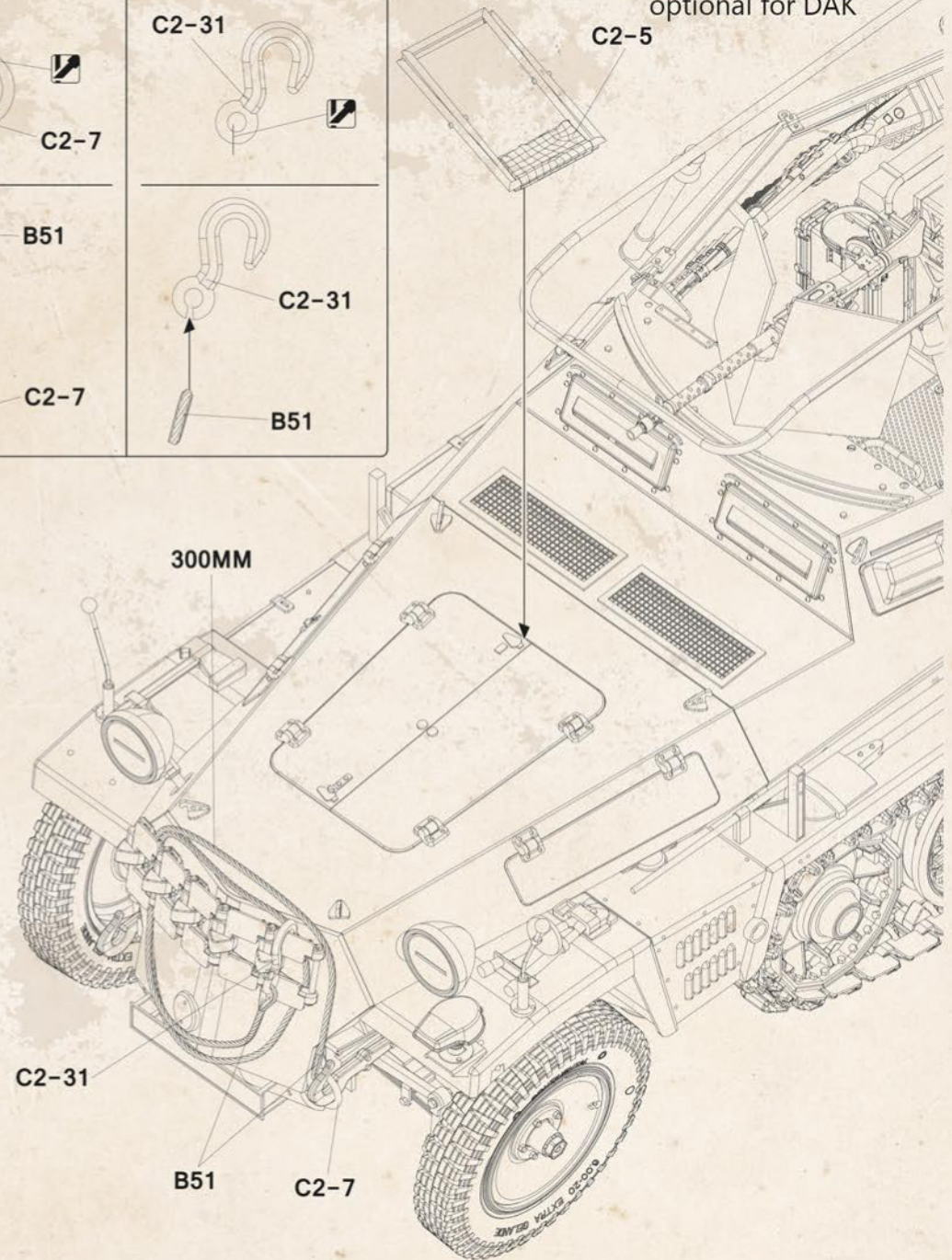
300MM

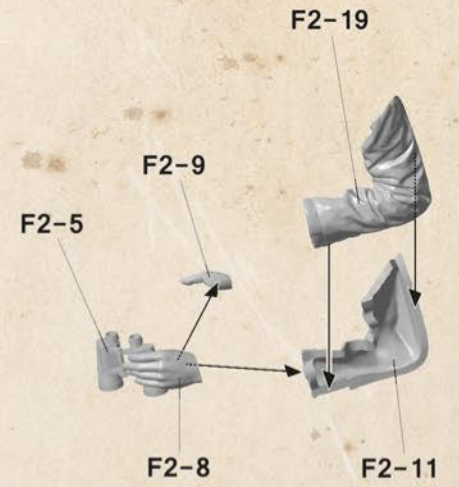
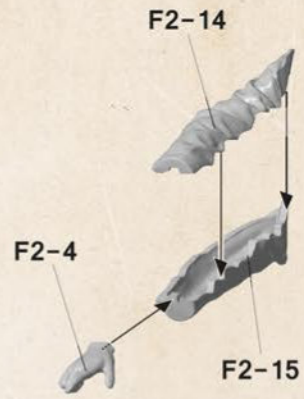
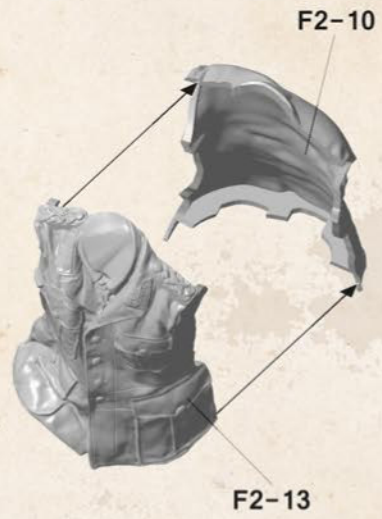
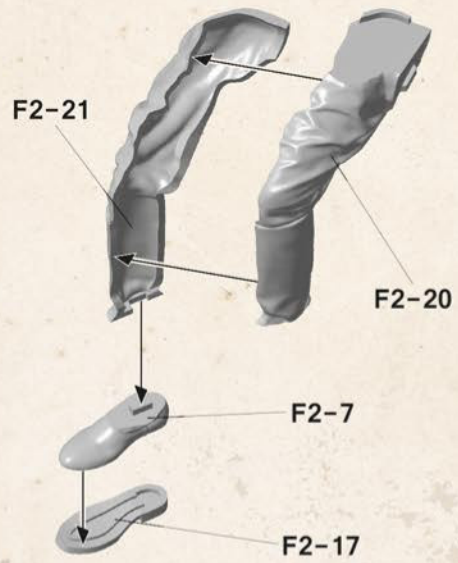
C2-31

B51

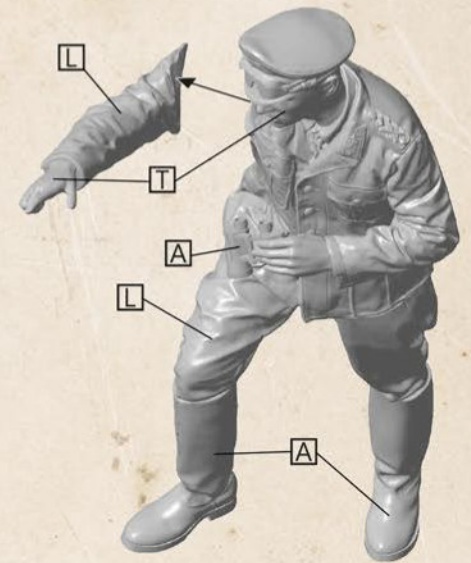
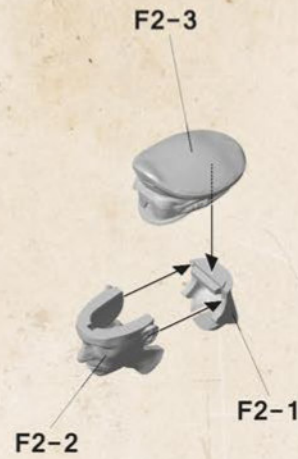
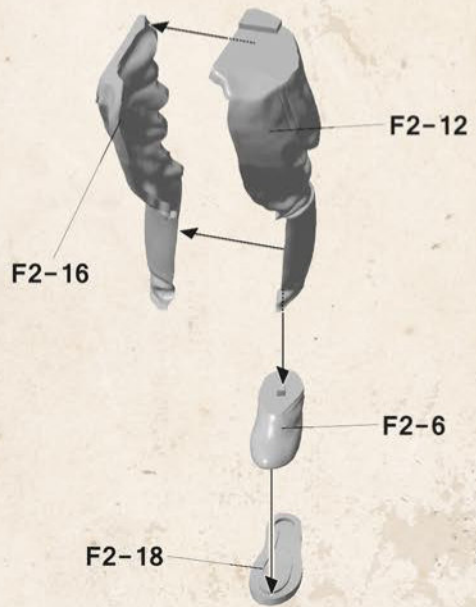
C2-7

C2-5





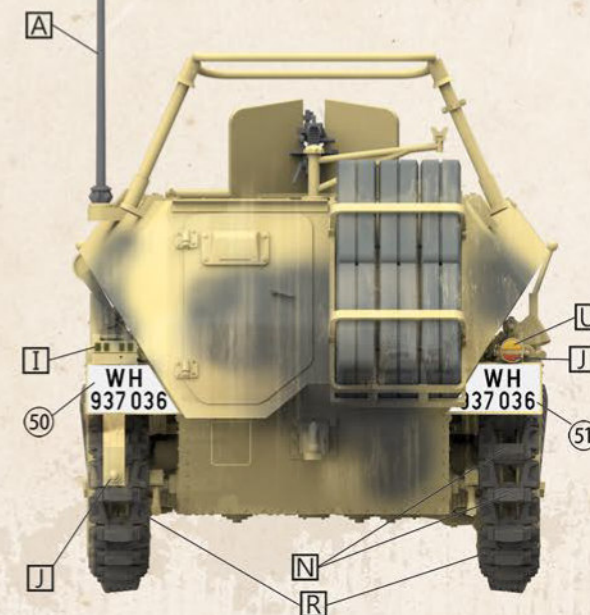
F2-19



Sd.Kfz. 250/3 Ausf.A

Painting and Marking Guide

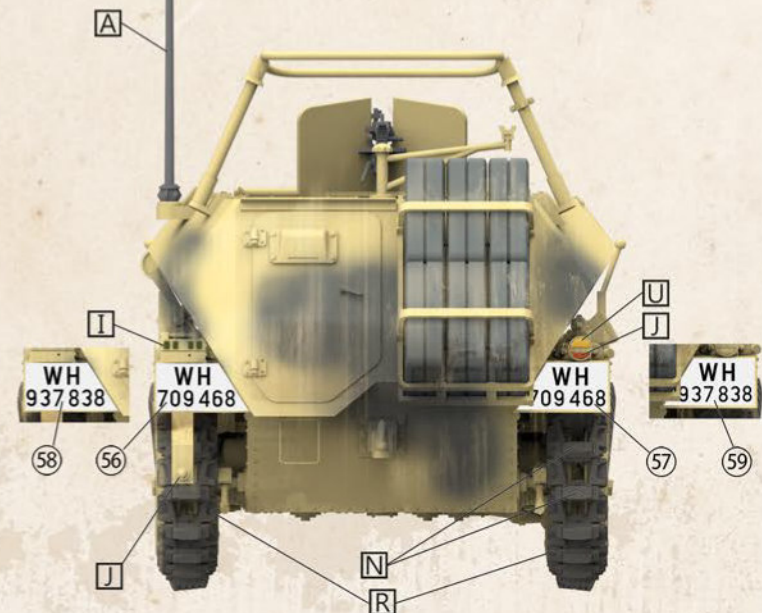
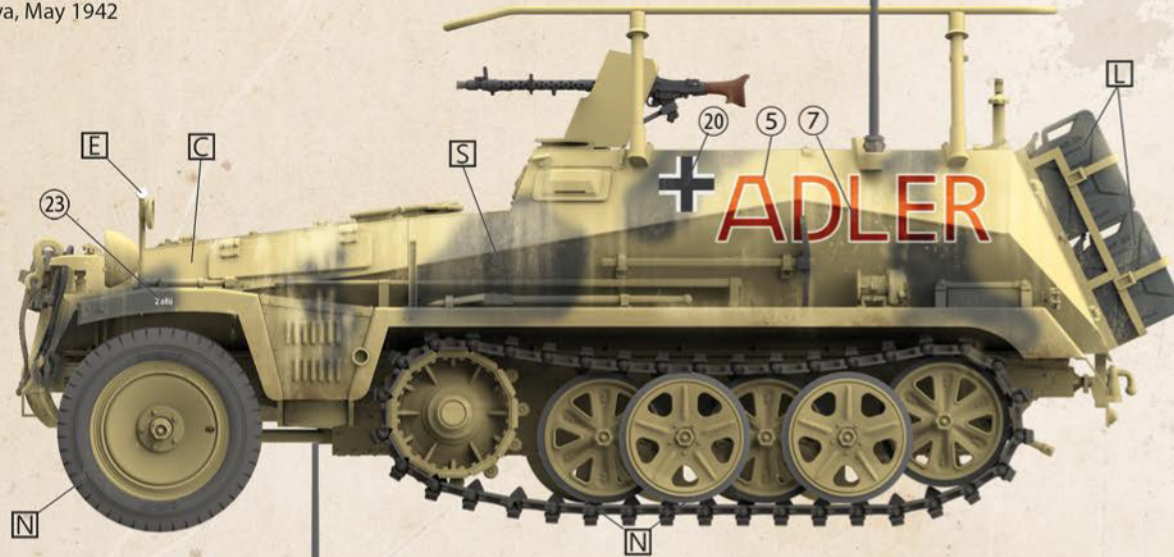
Kampfstaffel des Oberbefehlshabers der Panzerarmee Afrika,
Tobruk/Libya, June 1942



Sd.Kfz. 250/3 Ausf.A

Painting and Marking Guide

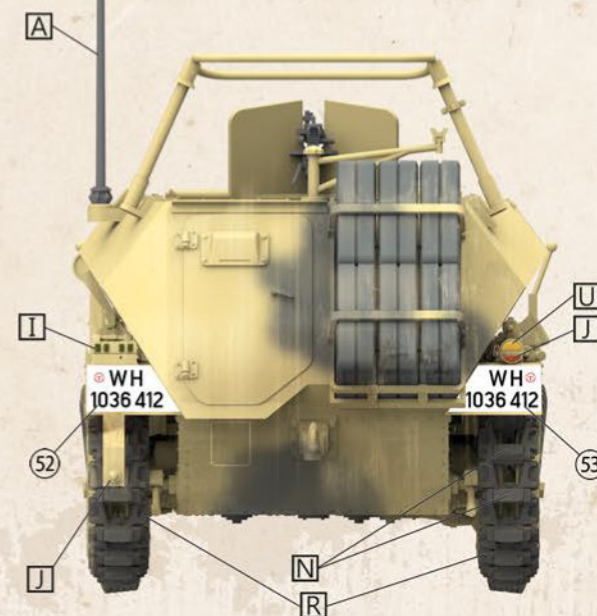
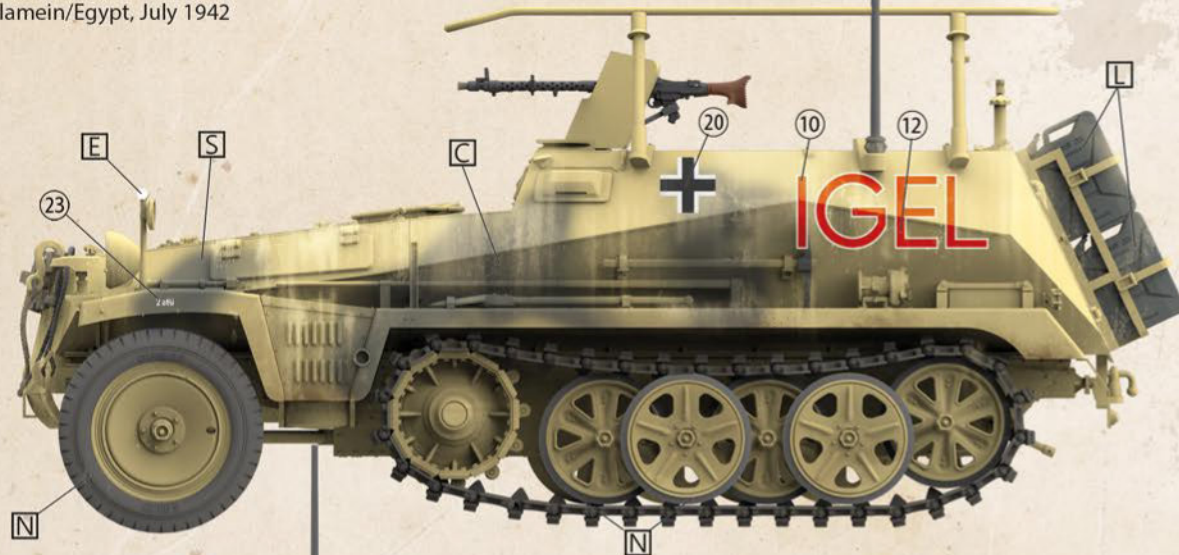
Kampfstaffel des Oberbefehlshabers der Panzerarmee Afrika,
Libya, May 1942



Sd.Kfz. 250/3 Ausf.A

Painting and Marking Guide

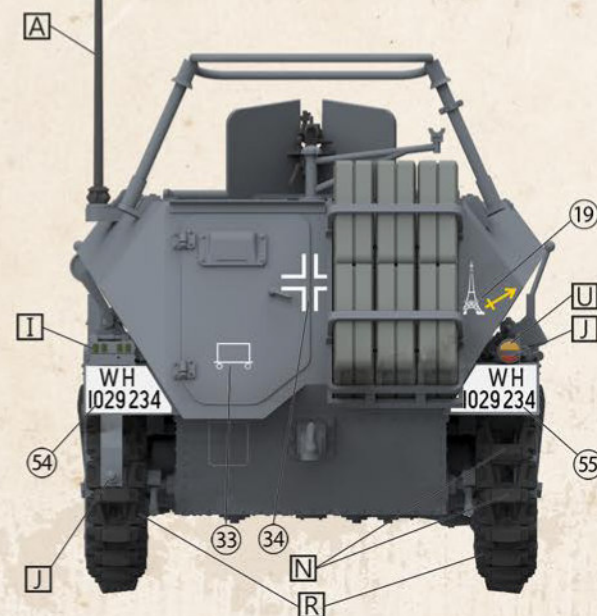
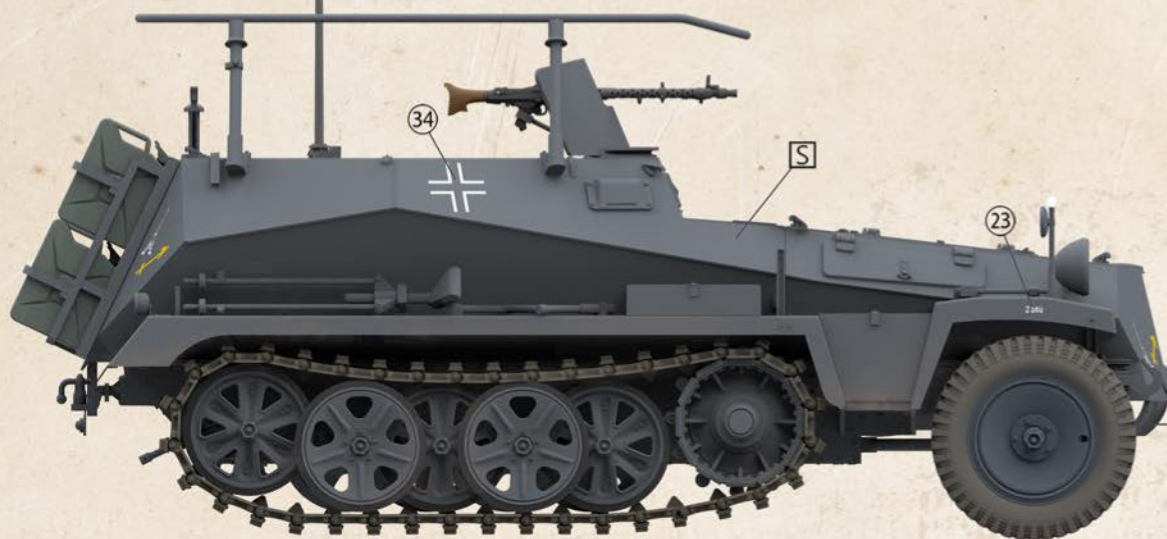
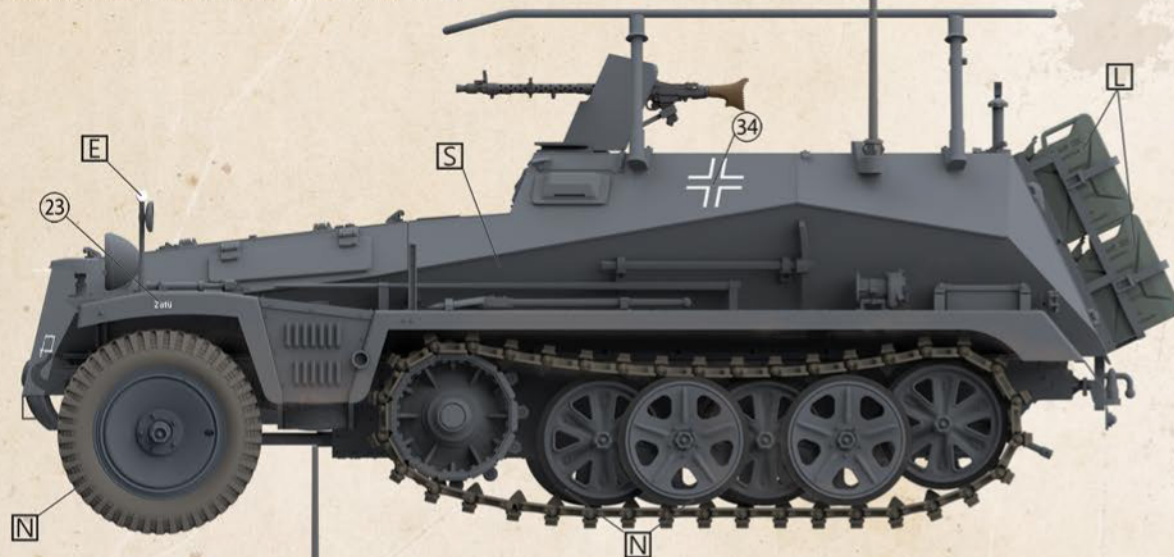
Kampfstaffel des Oberbefehlshabers der Pz.Armees Afrika, (Hauptmann Kiehl)
El Alamein/Egypt, July 1942



Sd.Kfz. 250/3 Ausf.A

Painting and Marking Guide

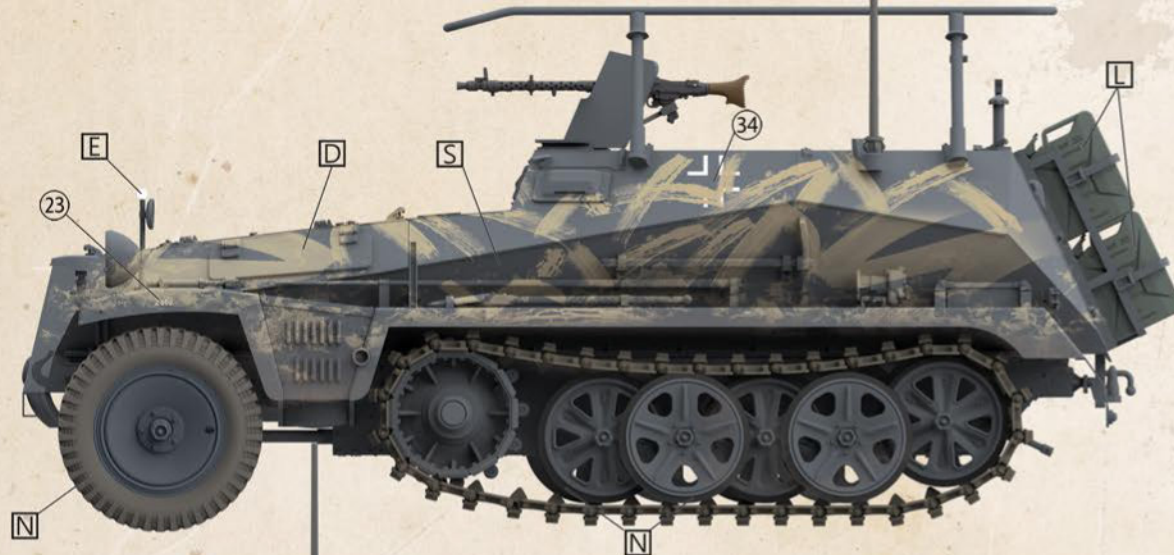
23. Panzer Division, Southern Russia, Summer 1942



Sd.Kfz. 250/3 Ausf.A

Painting and Marking Guide

24. Panzer Division, Southern Russia, Summer 1942



Das Werk

Check out other great kits from us:



DW35036 - RakJgPz. Jaguar 2 (1:35)



DW35042 - Jagdpanther G2 (1:35)



DW32002 - Messerschmitt P-1101 (1:32)



DW16024 - Leopard 2 A7V (1:16)



DW16020 - 7.5cm Pak40 mid/late (1:16)



DW16018 - Sd.Kfz.250/1 Ausf.A (1:16)