

Clear Prop!

ADVANCED



F4B-4 NAVY

1:48

model # CP4826



scale model kit

SPAN: 192 mm



LENGTH: 131 mm



NUMBER OF PARTS: 128 pcs


















- 1** stages of assembly **?** optional
- A** variants of assembly **🔪** glue by super glue
- A1** part number **🔪** do not glue
- 🔪** fill with putty **🔪** make a hole
- 1** apply decals **🔪** detach with knife
- 🔪** apply the adhesive mask **🔪** paint
- 🔪** bend **N** repeat the operation N times

The F4B and its U.S. Army Air Corps counterpart, the P-12, dominated fighter aviation in the United States in the early 1930s. Early models of both the F4B and P-12 were manufactured using construction techniques that had not changed significantly since World War I. As the decade of the 1930s began, the use of these traditional construction techniques of welded tube fuselages gave way to airframes manufactured using lightweight aluminum alloys. Use of semi-monocoque, stressed skin aluminum offered lighter airframes and subsequently, higher performance. In the F4B series, this was first seen on the company-funded Model 218 prototype, which bridged the gap between the earlier and later versions of the F4B. The later versions of the F4B, the F4B-3 and F4B-4 were partially constructed of aluminum alloys as first used on the Model 218 in place of steel tubes, offering high strength and light weight. Just 21 F4B-3s were built before production switched to the F4B-4, of which 92 were built.

F4Bs dominated U.S. Navy/Marine fighter and some bomber squadrons from 1931 to 1935. As earlier models of the F4B were retired, the newer F4B-3 and F4B-4 took their place. The last squadron to fly the F4B-4 operationally, VF-6, did not transition to a newer aircraft until 1938. As the F4B-3s and F4B-4s were phased out of front-line service, many were turned over to the training command, and later served as unmanned aerial targets used for training shipboard anti-aircraft gunnery crews as part of Project FOX. The last F4Bs were withdrawn from service in 1942. In 1939, two F4B-4s were handed over to the U.S. Civil Aeronautics Authority for use by the Air Safety Board. One of these, Bureau Number 9241 still exists and is the only original F4B-4 left in the world. It is on display at the National Air and Space Museum in Washington DC.

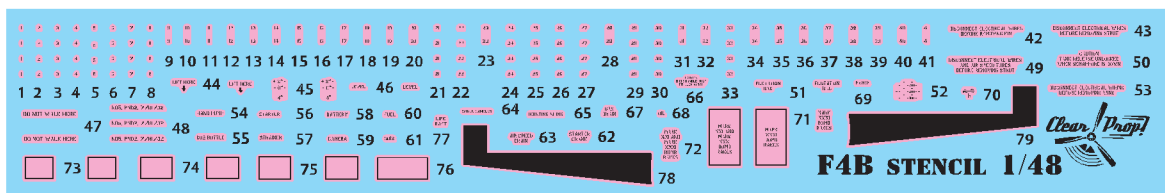
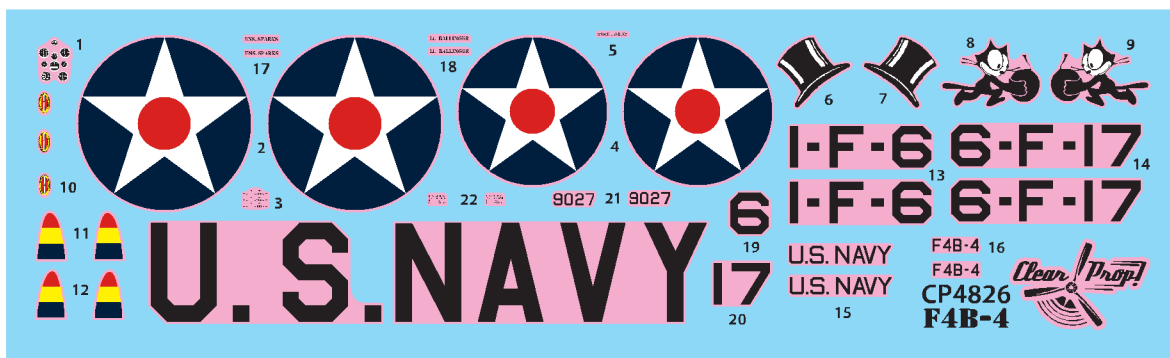
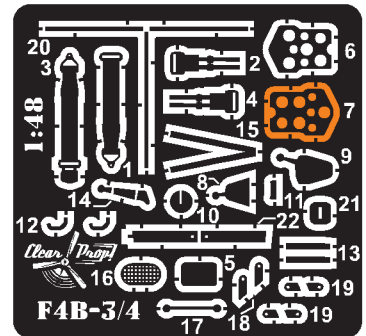
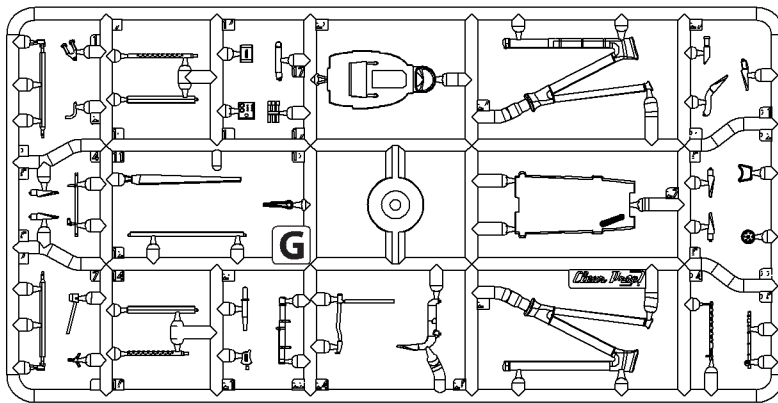
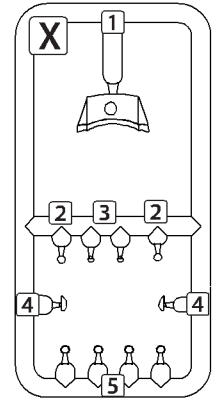
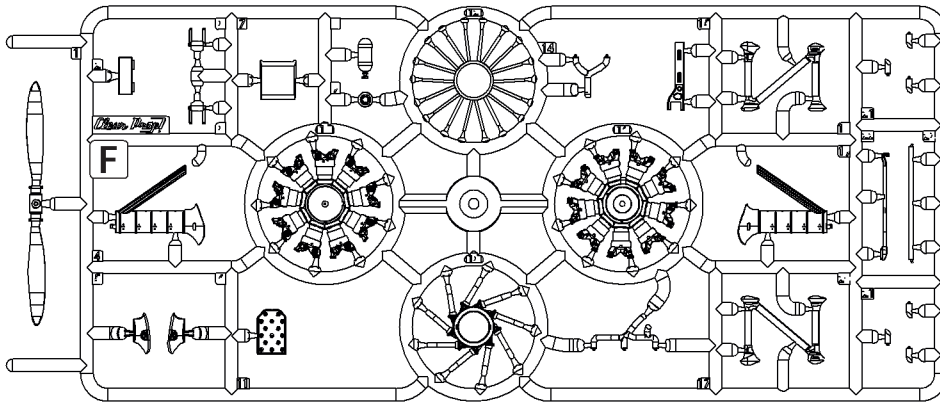
Rich Dann

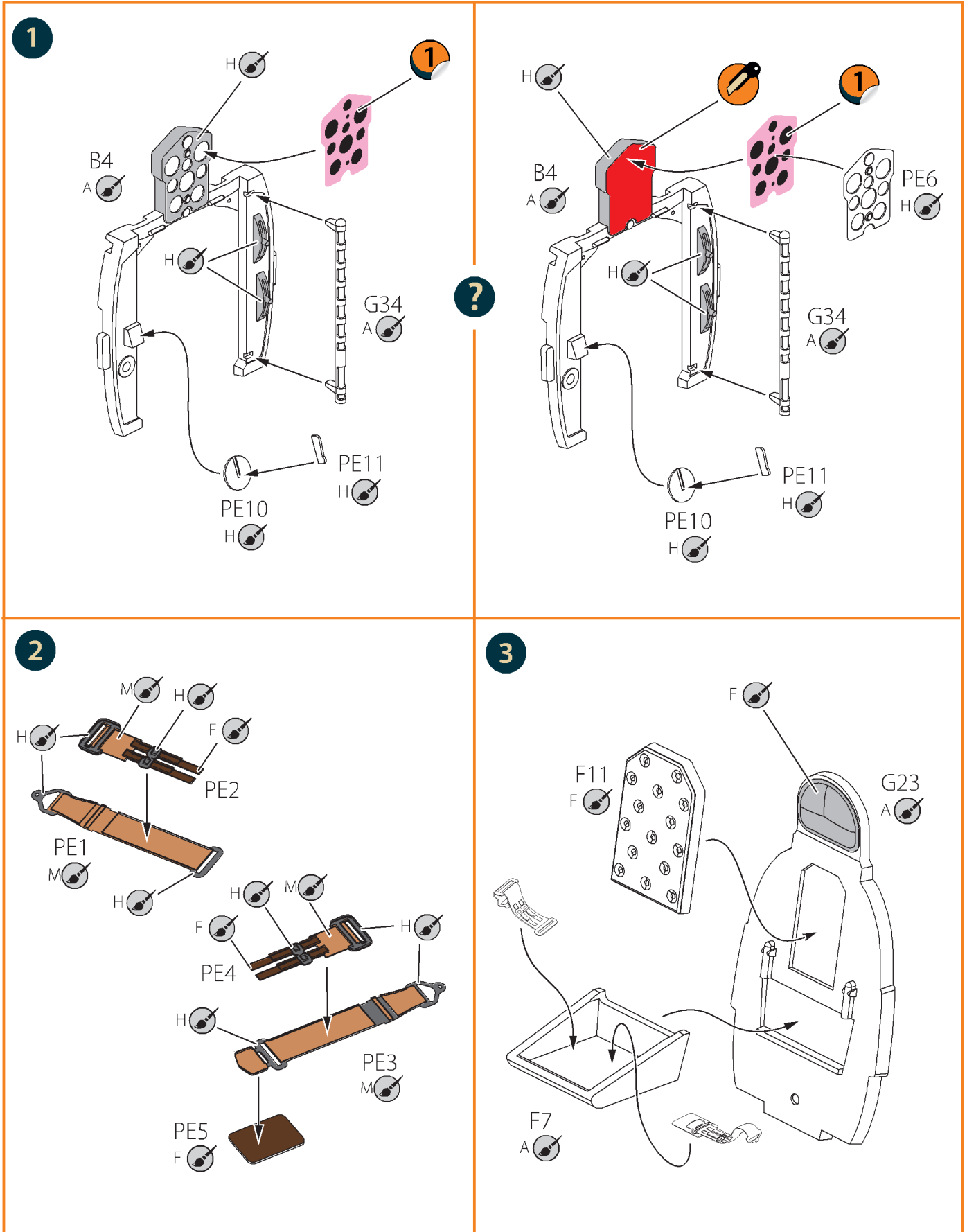
REQUIRED PAINTS

- | | | | | | | | | |
|--|---|--|--|---|--|--|--|---|
| A  MR. COLOR C8 SILVER ALUMINIUM | B  MR. COLOR C329 YELLOW | C  MR. COLOR C11 GULL GRAY | D  MR. COLOR SM204 STEEL | E  MR. COLOR C61 BURNT METALL | F  MR. COLOR C43 BROWN LEATHER | G  MR. COLOR C137 TIRE BLACK | H  MR. COLOR C92 BLACK | I  MR. COLOR C6 GREEN |
| J  MR. COLOR C104 GUN METAL | K  MR. COLOR C339 ENGINE GRAY | L  MR. COLOR C3 RED | M  MR. COLOR C44 TAN | N  MR. COLOR C47 RED CRYSTAL | O  MR. COLOR C50 BLUE CRYSTAL | P  MR. COLOR C1 WHITE | R  MR. COLOR C4 YELLOW | |

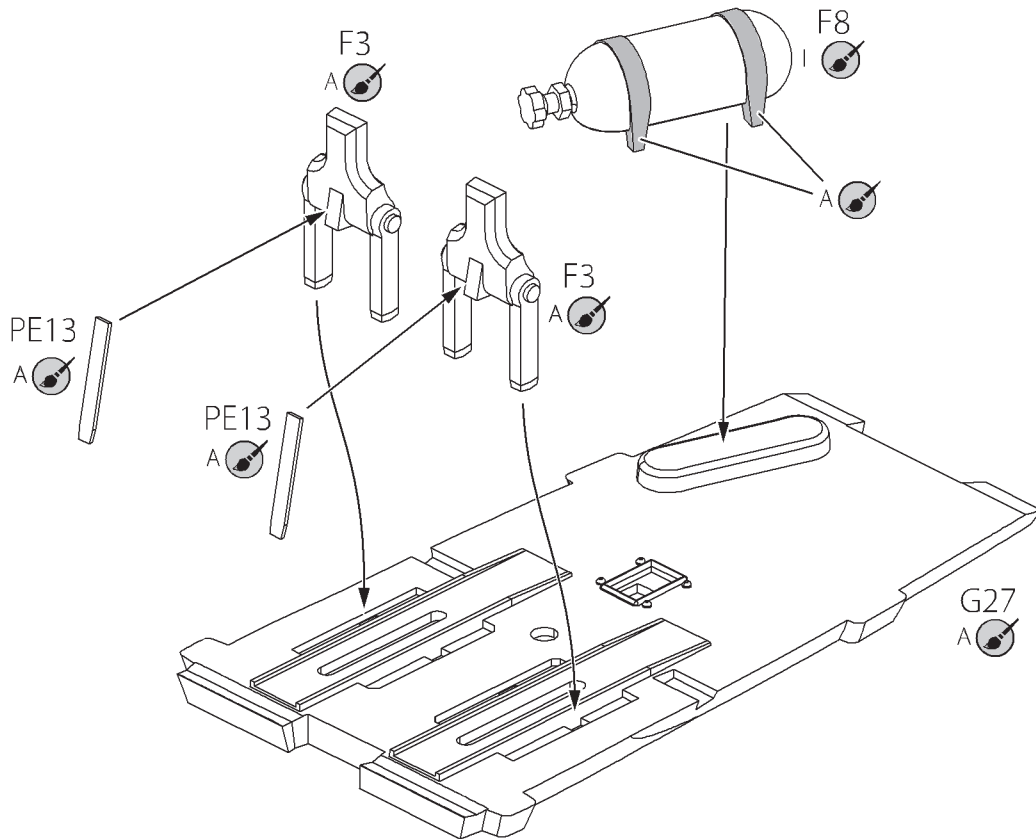
THIS MODEL IS PRODUCED FOR EXPERIENCED MODELERS OVER 14 YEARS



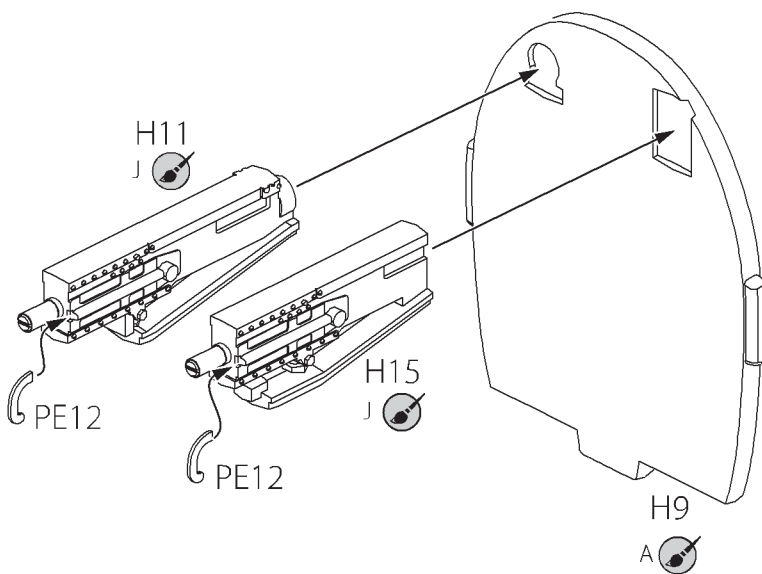




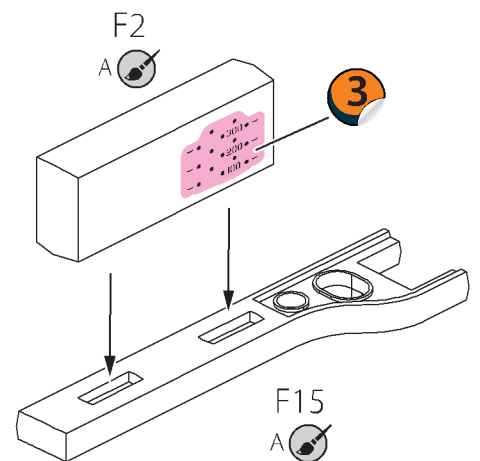
4

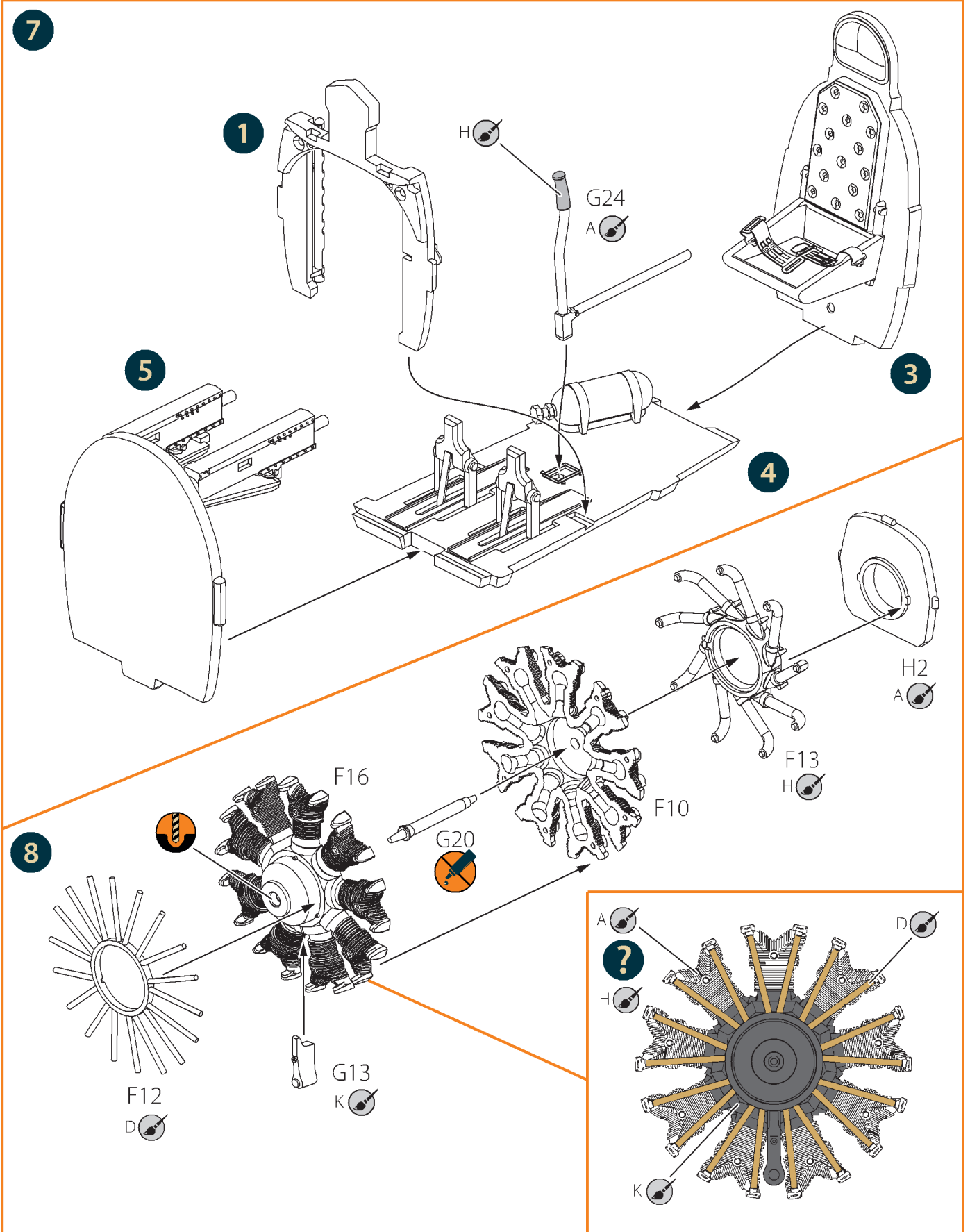


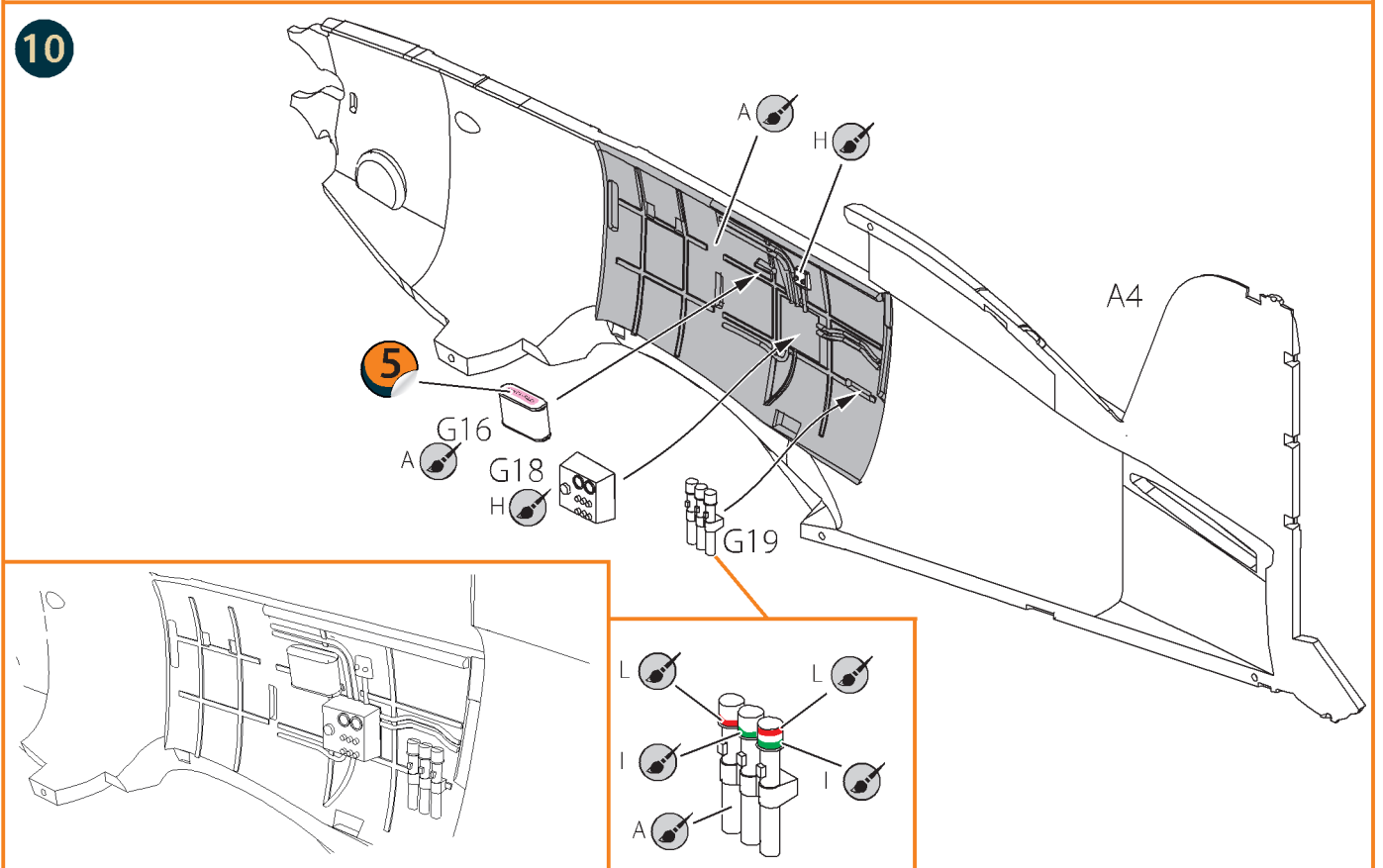
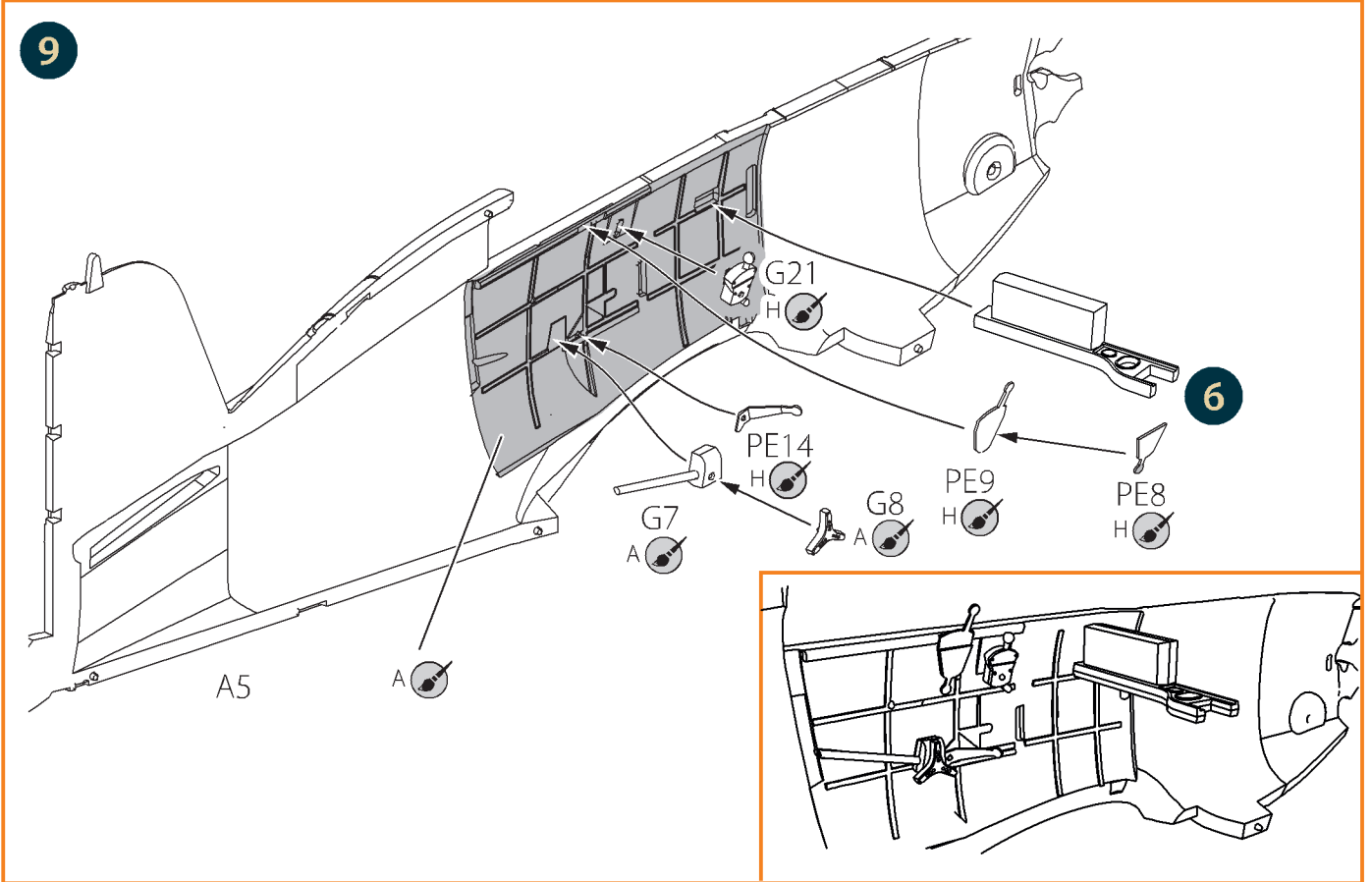
5

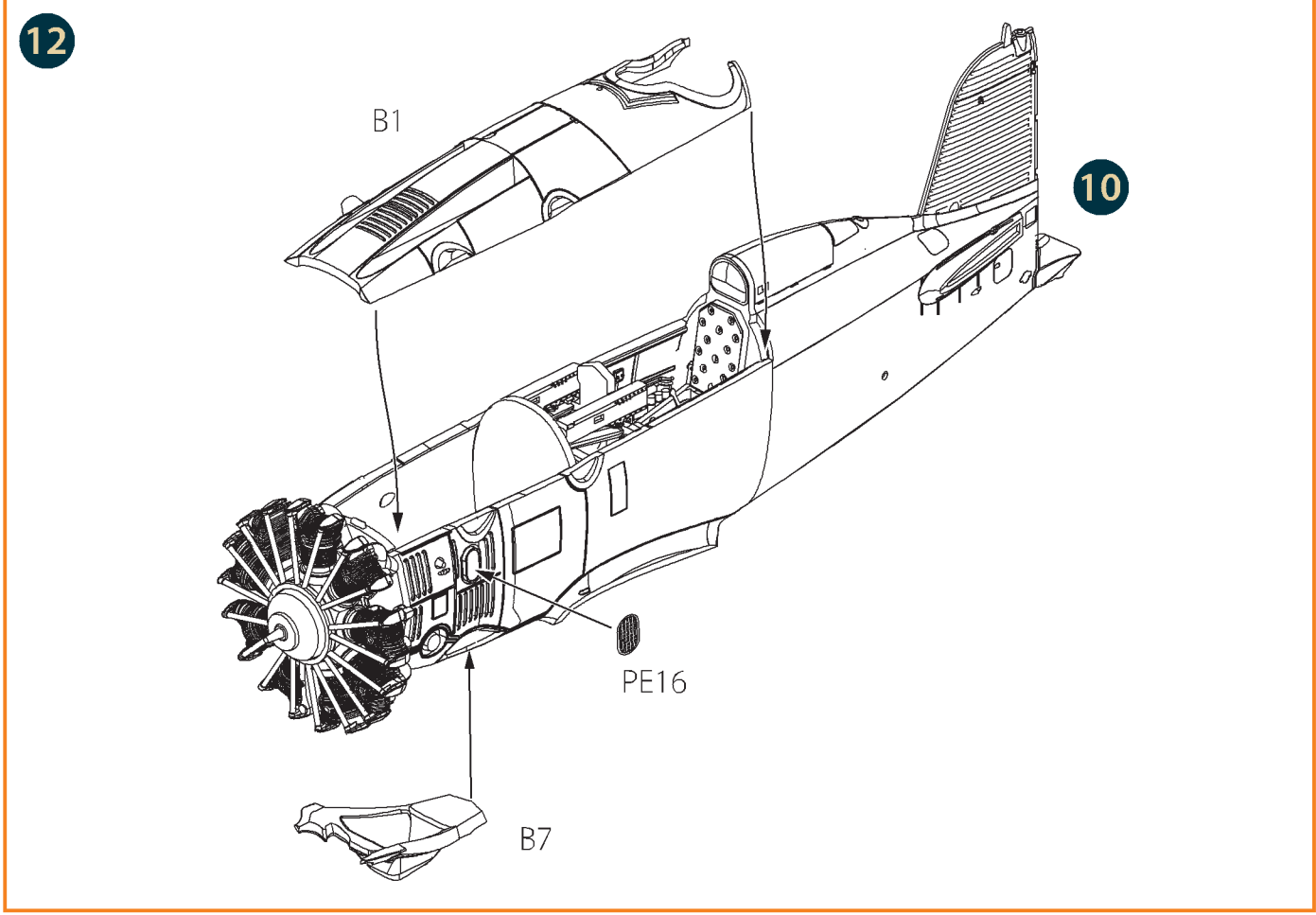
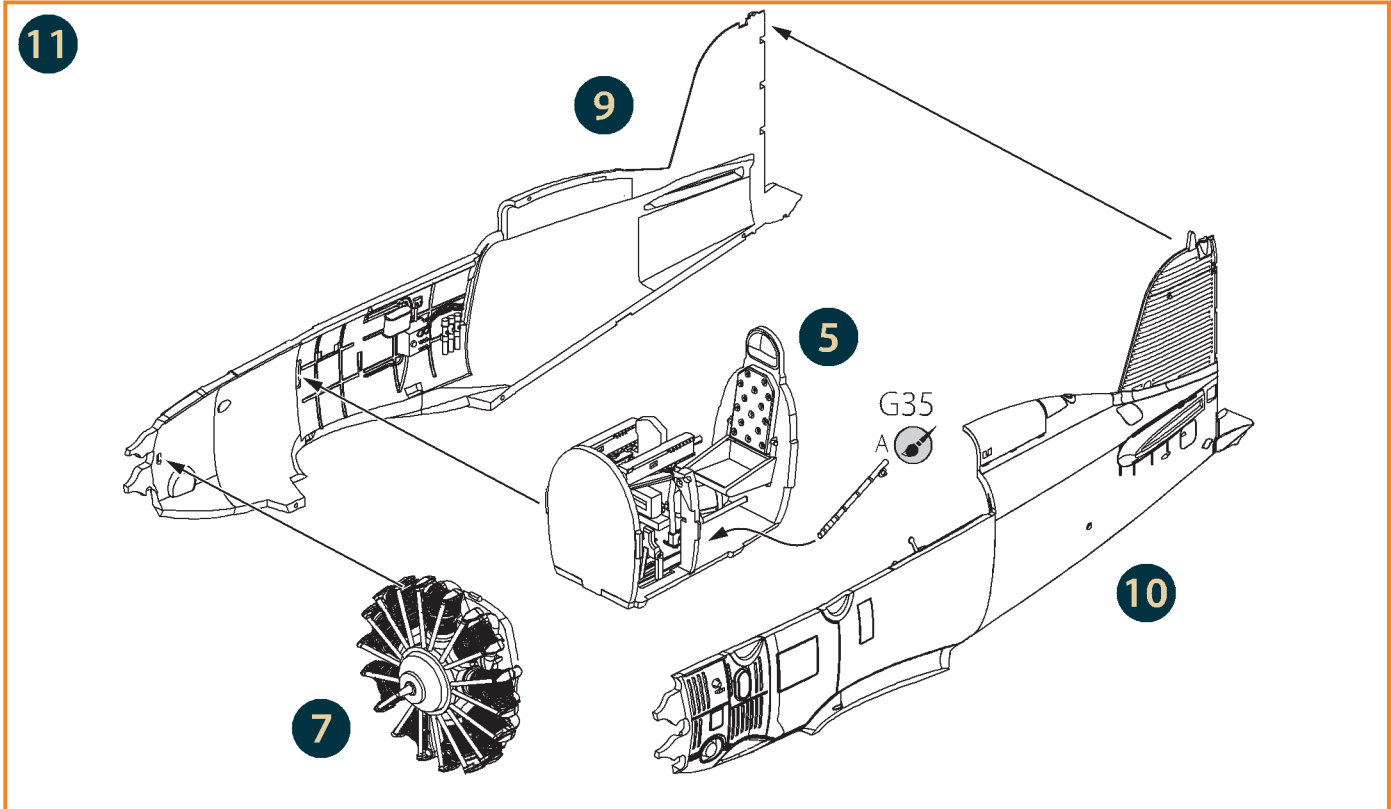


6

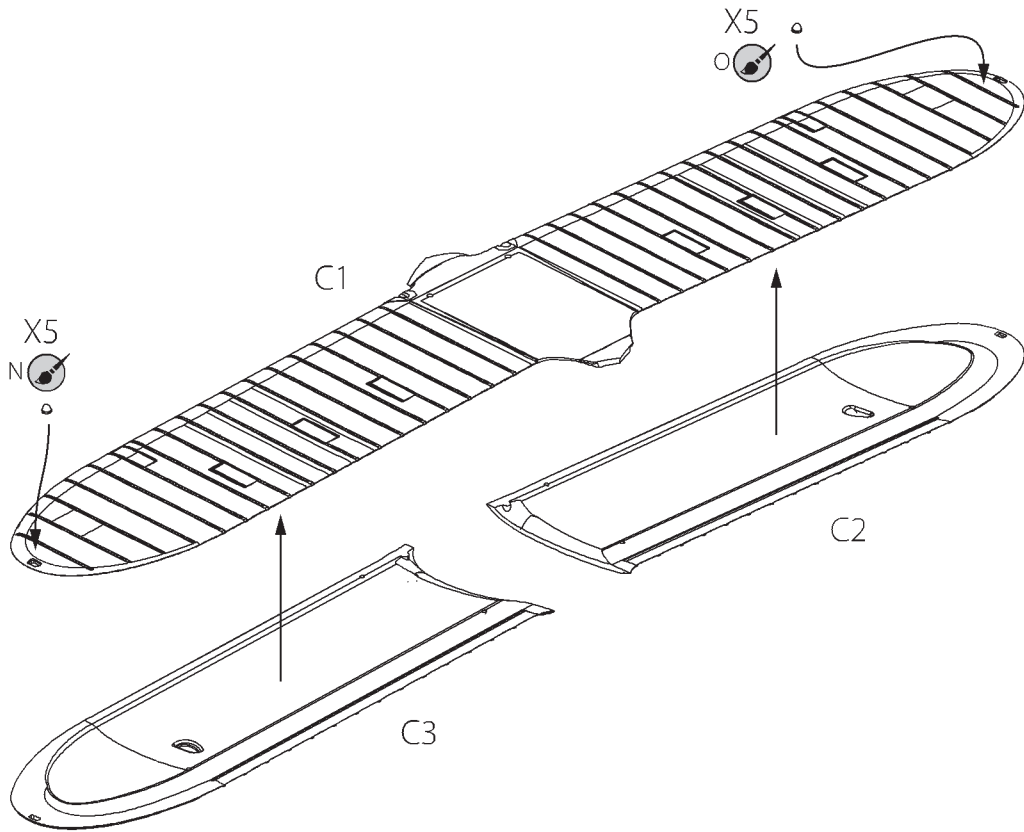




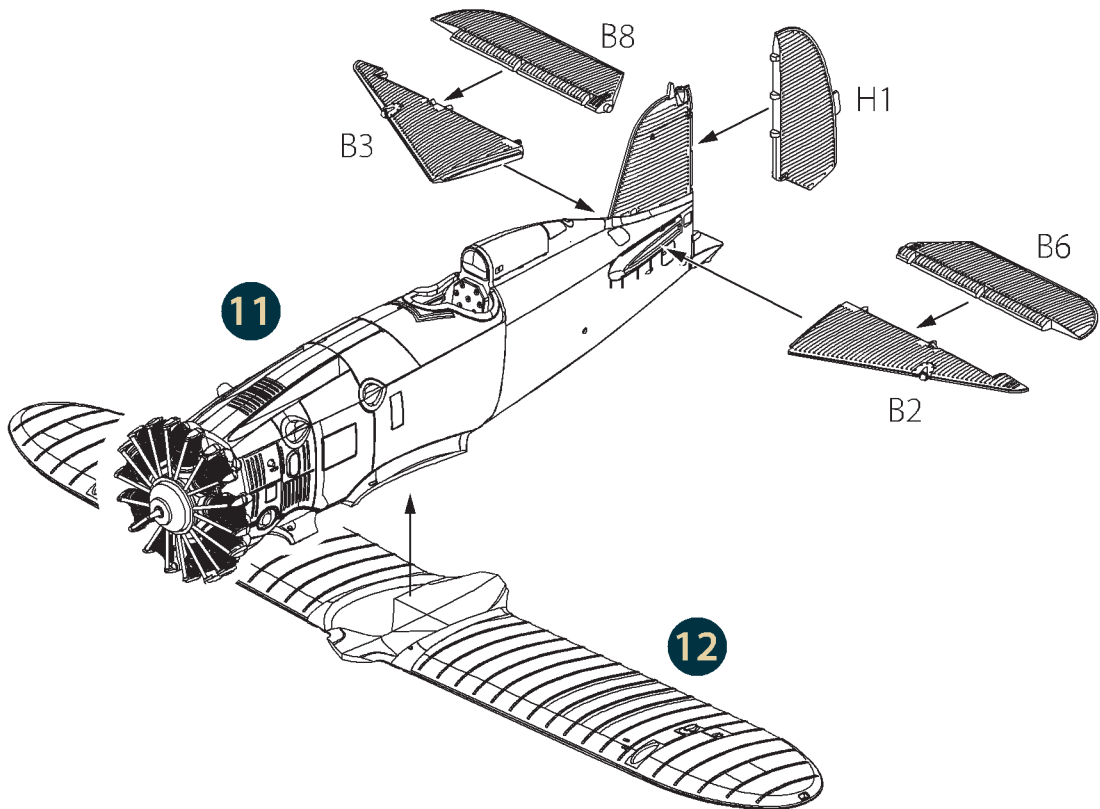




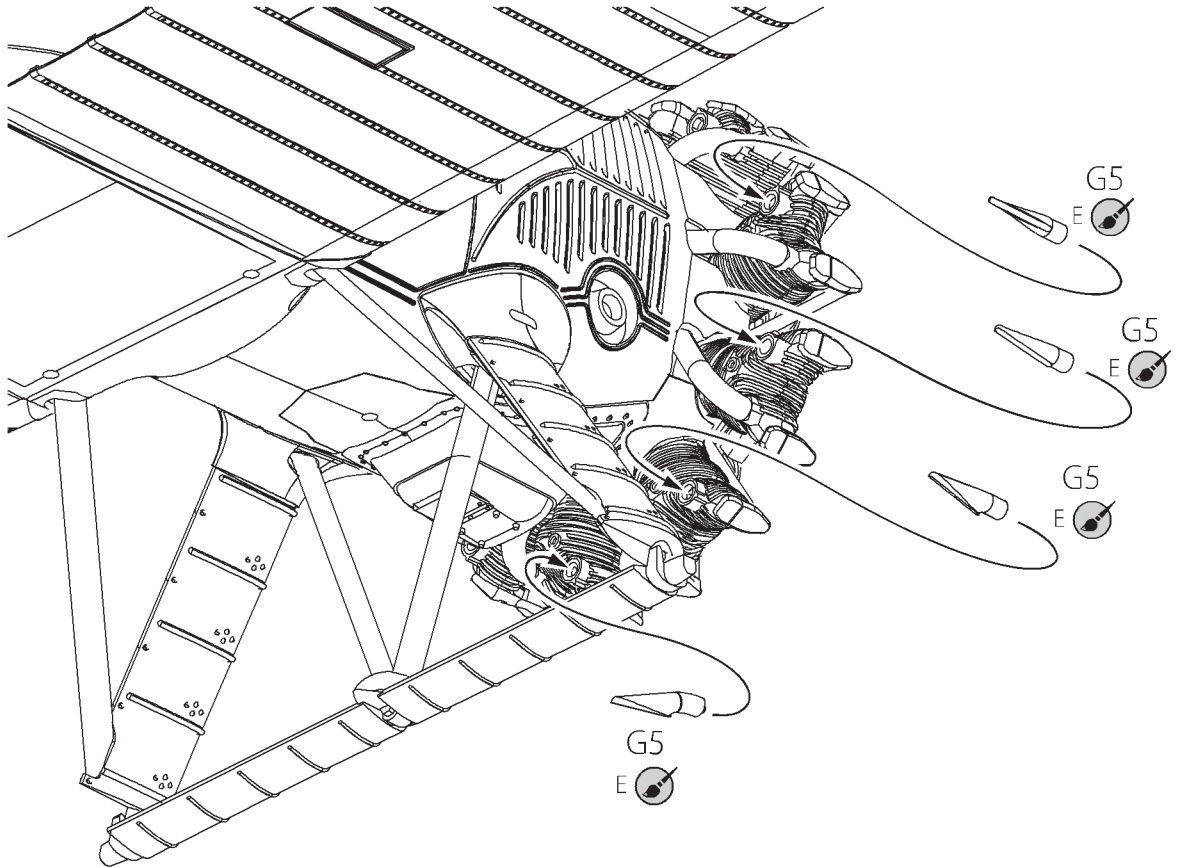
13



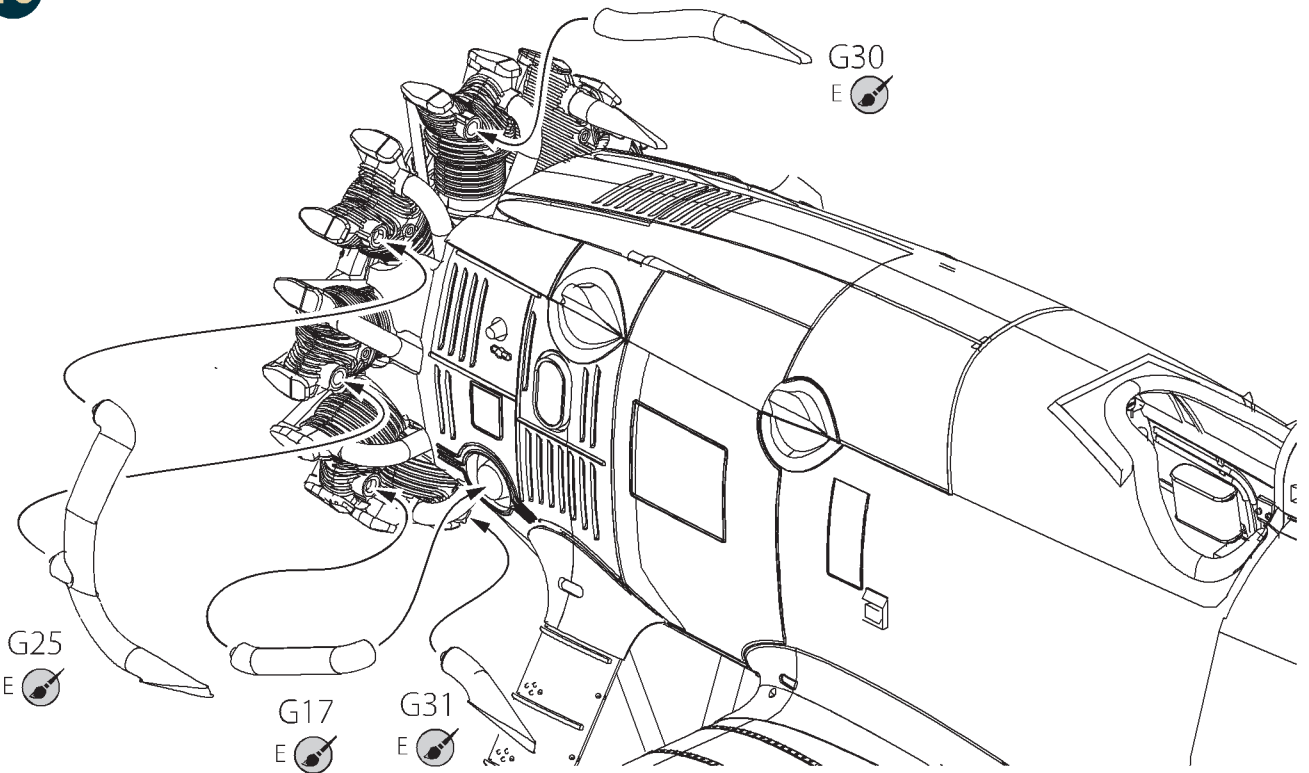
14



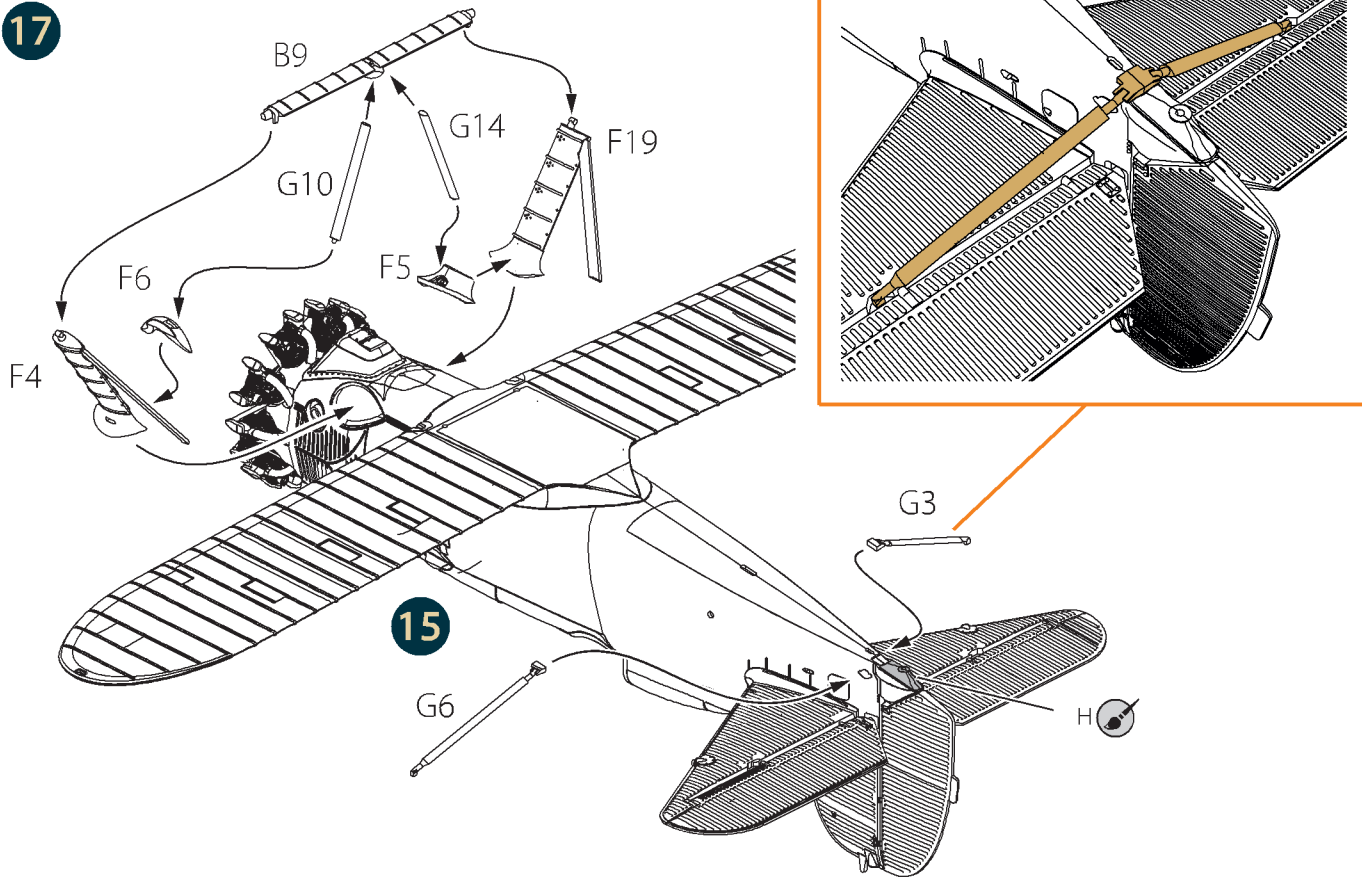
15



16

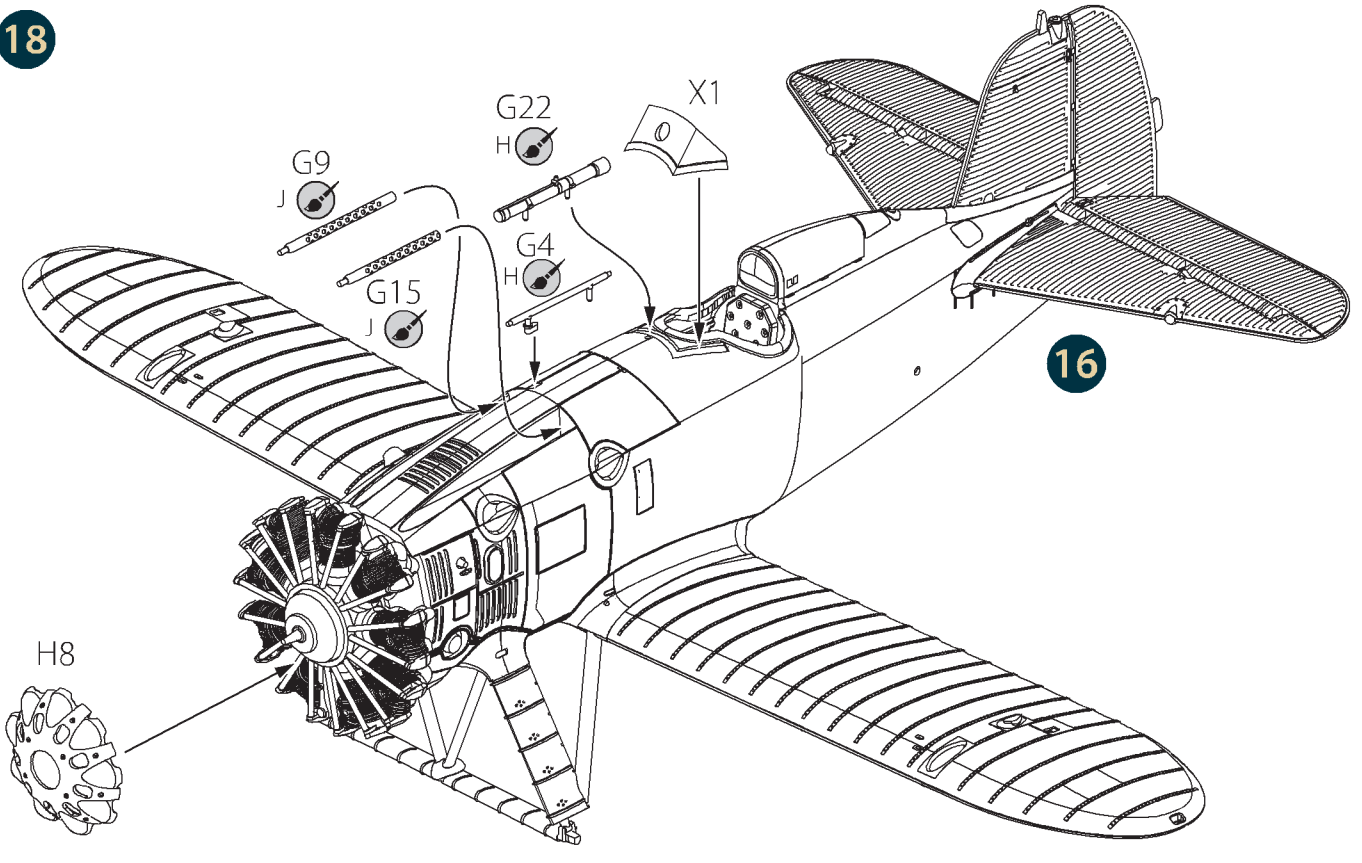


17

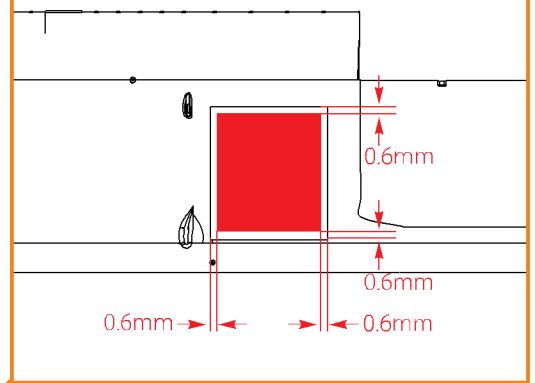
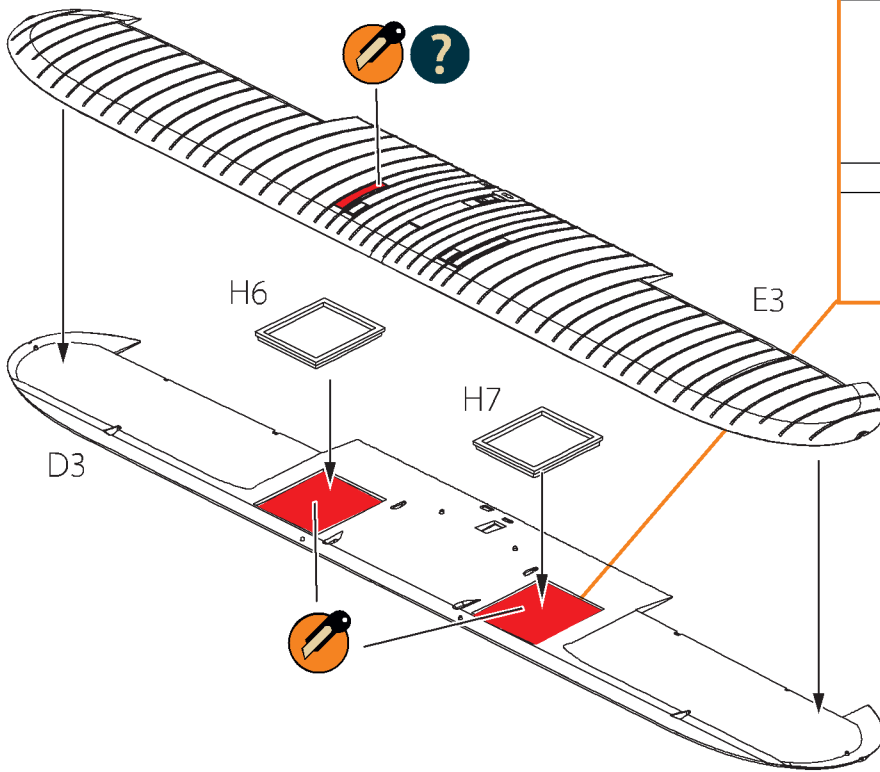


15

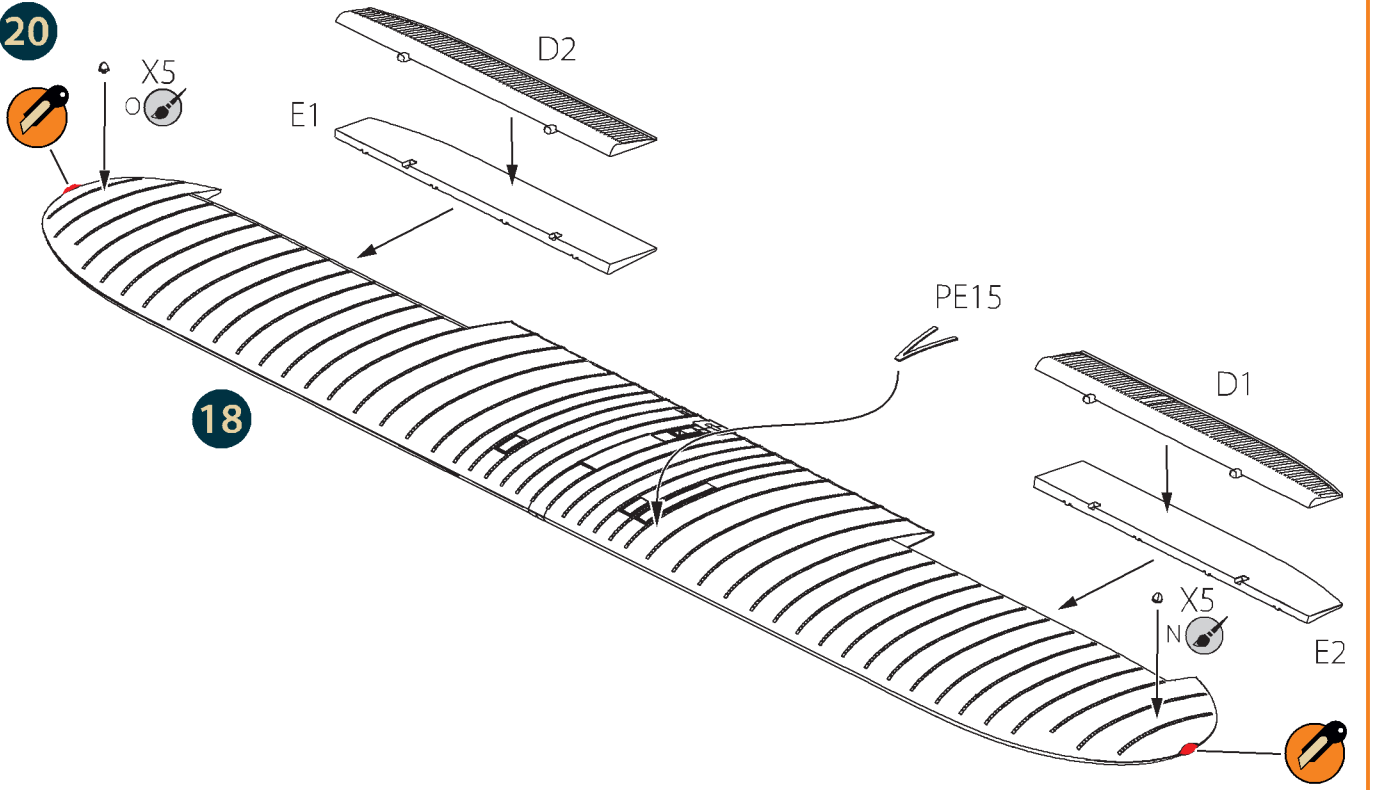
18



19

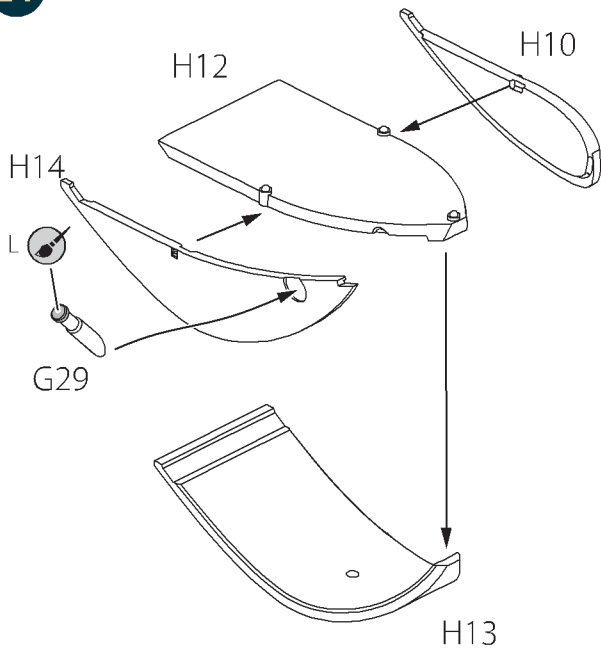


20

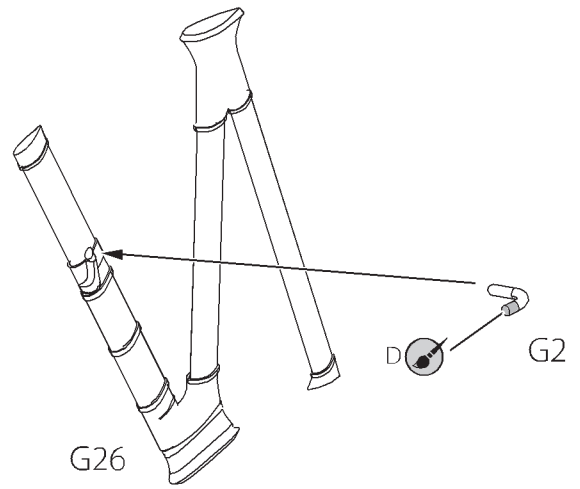


18

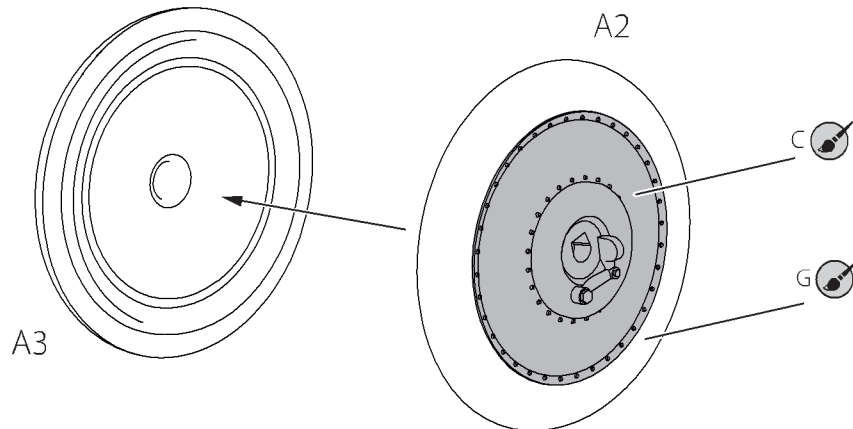
21



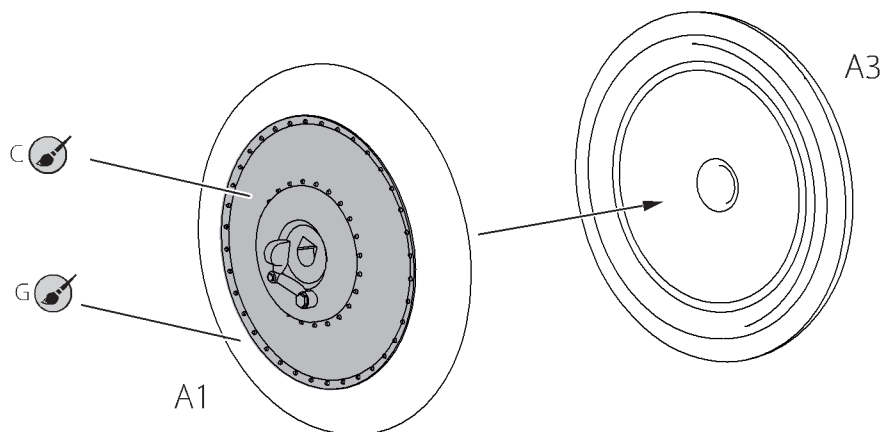
22



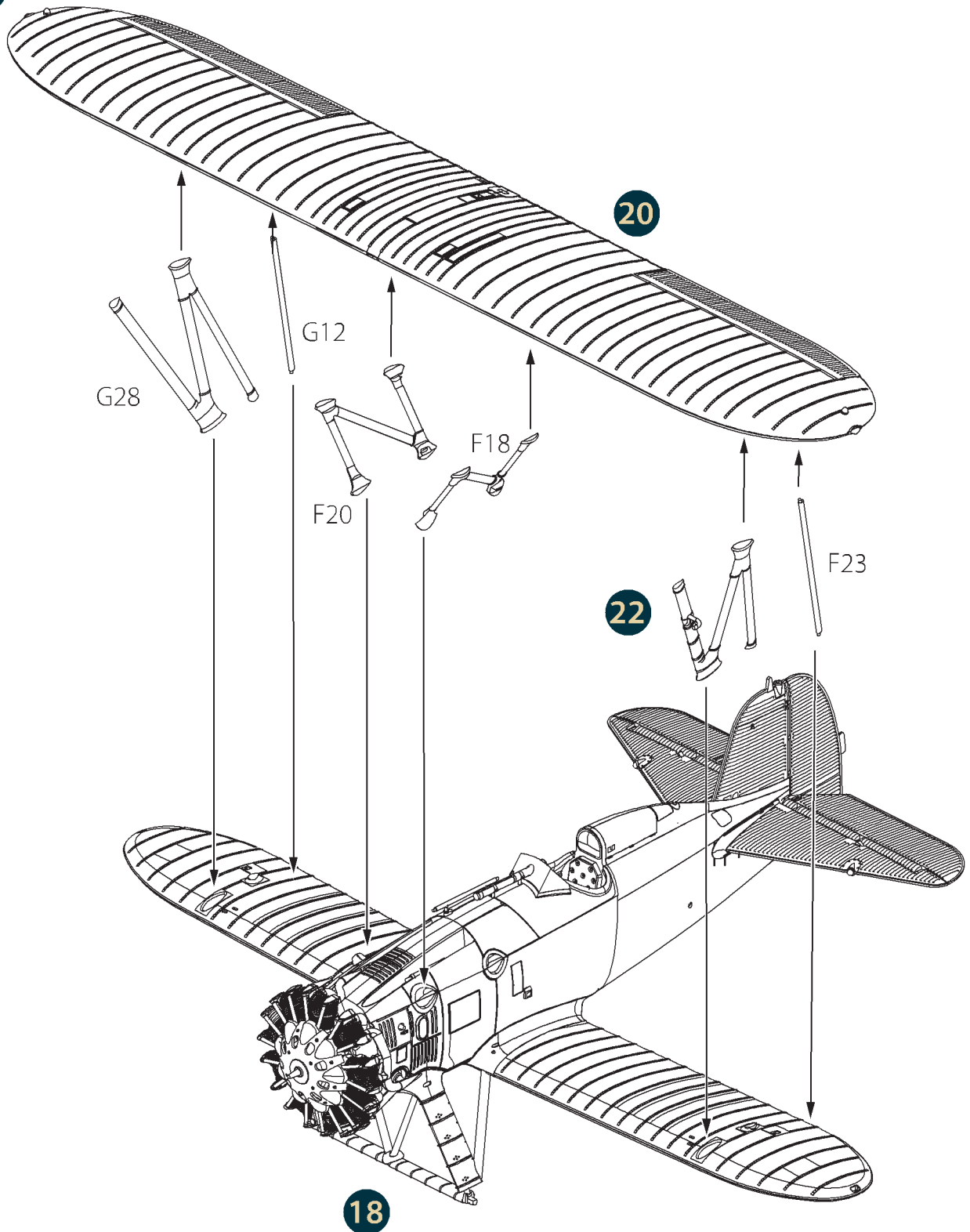
23



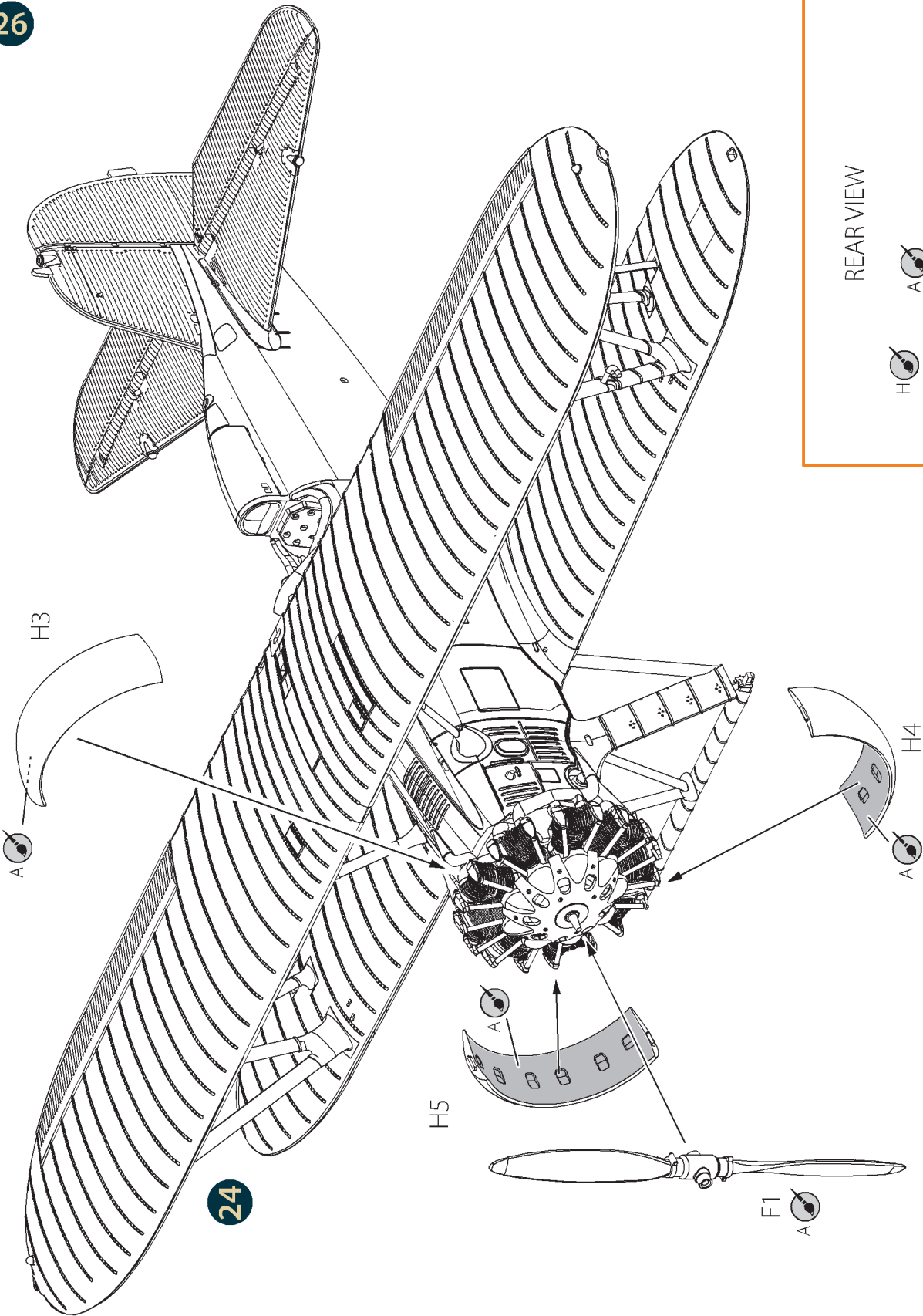
24



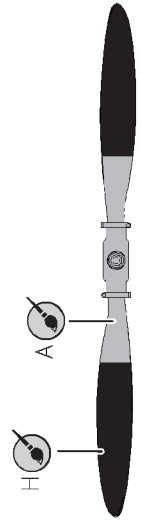
25



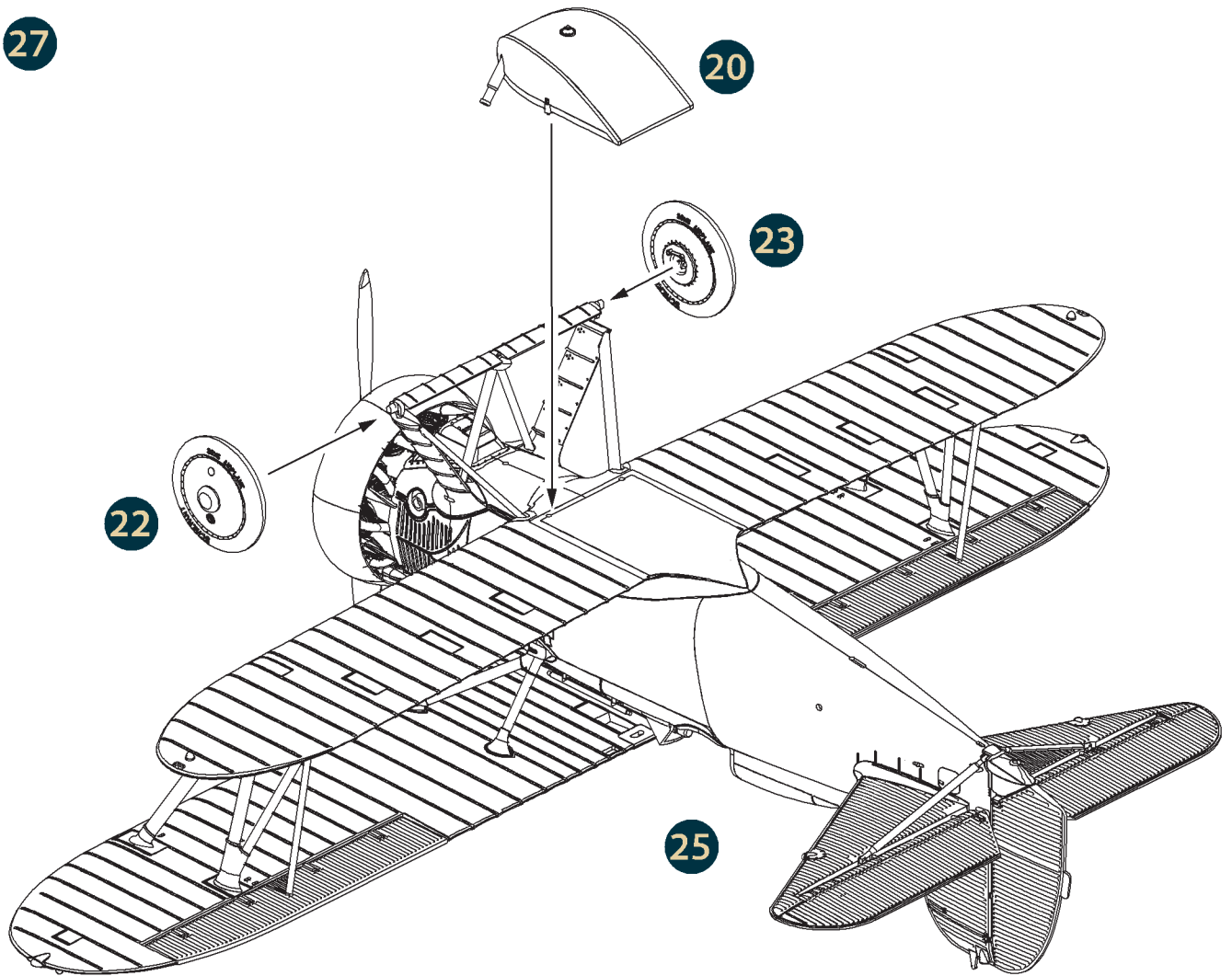
26



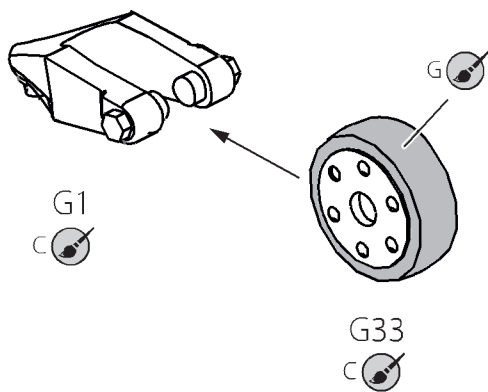
REAR VIEW



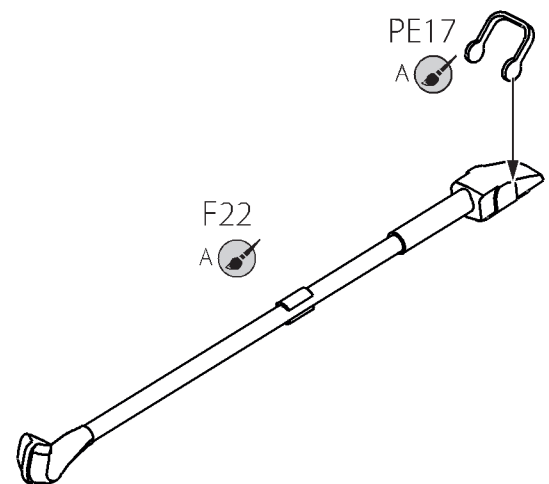
27



28



29

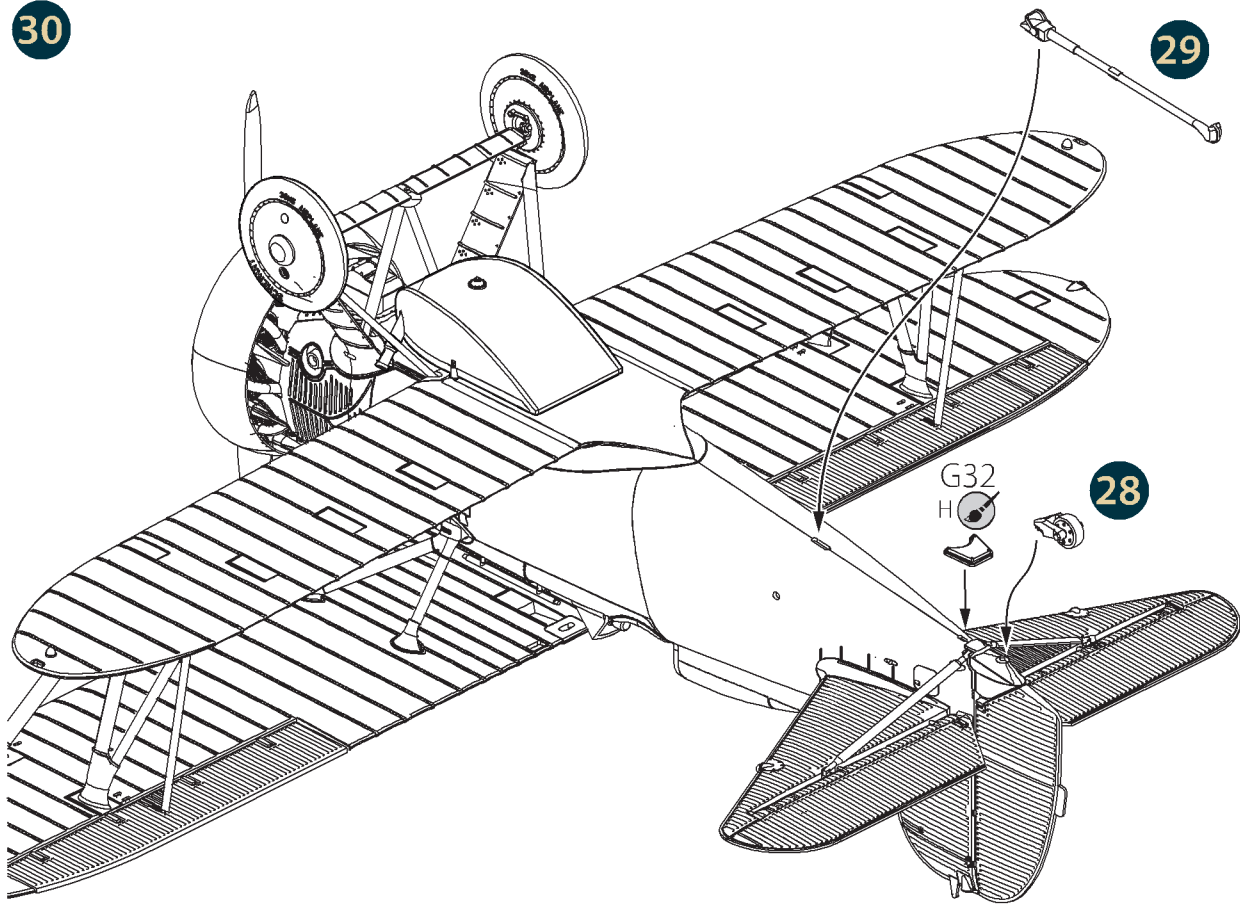


30

29

28

G32
H

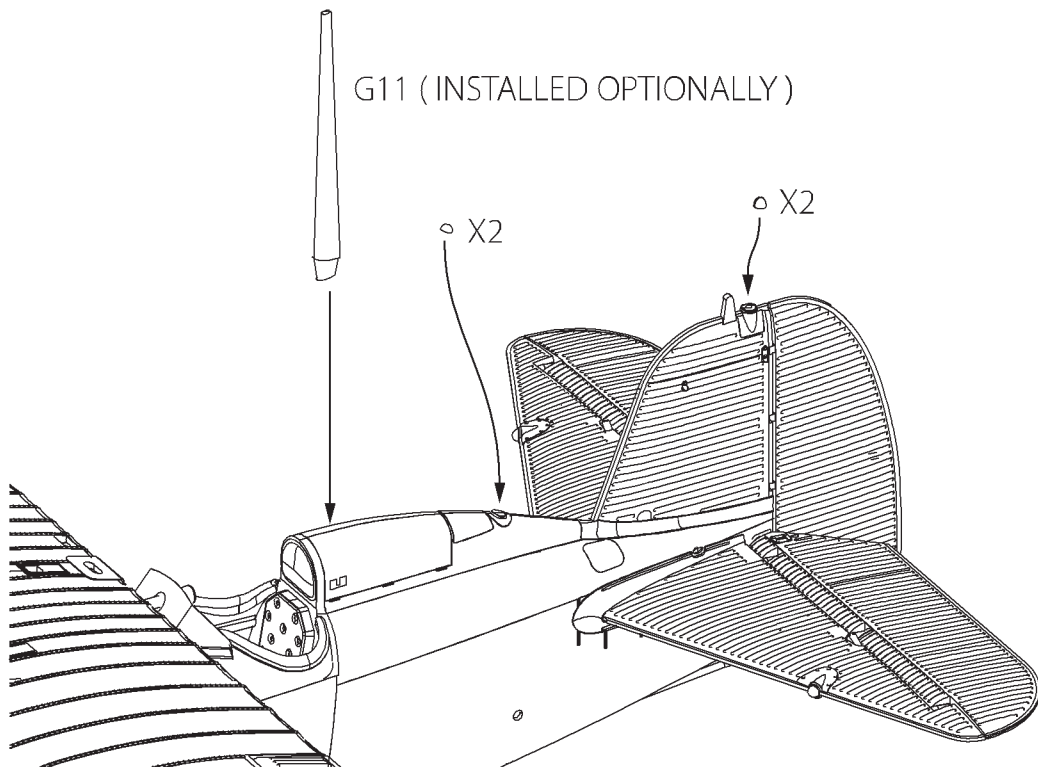


31

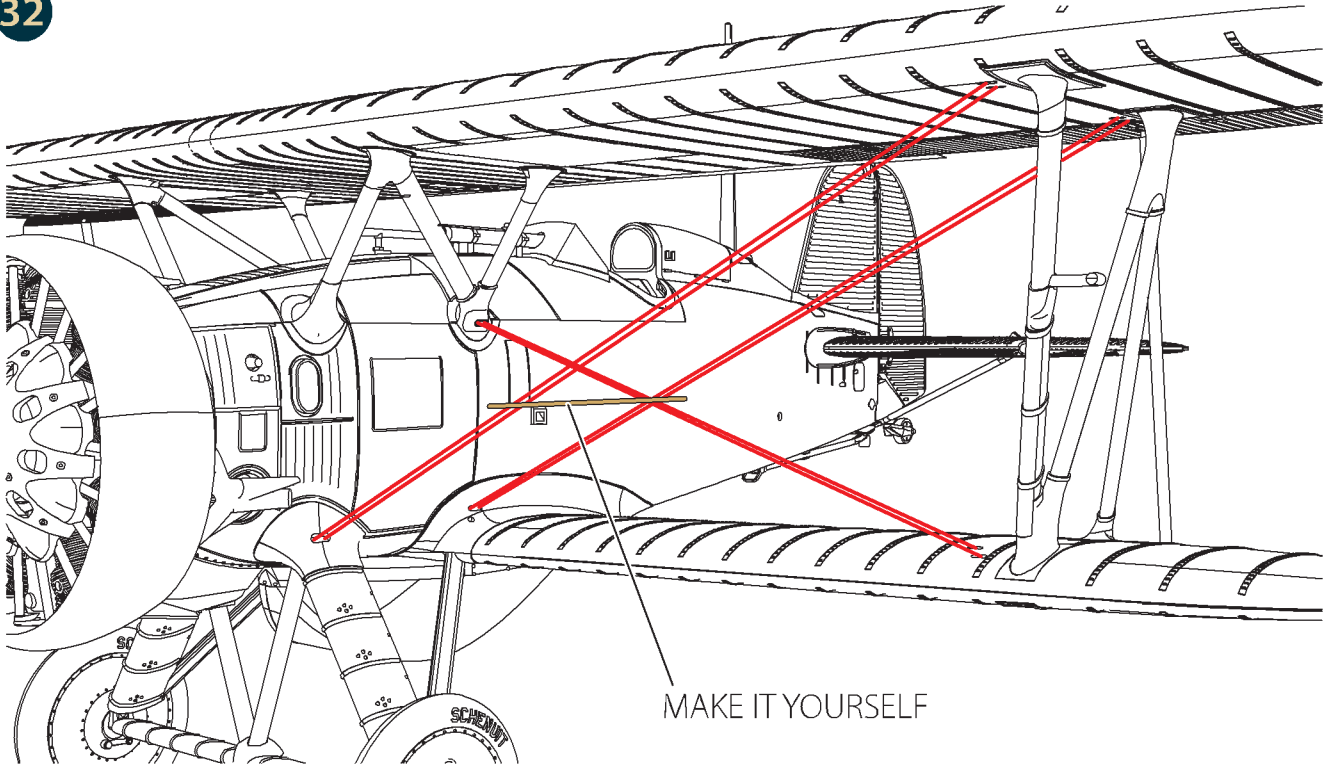
G11 (INSTALLED OPTIONALLY)

X2

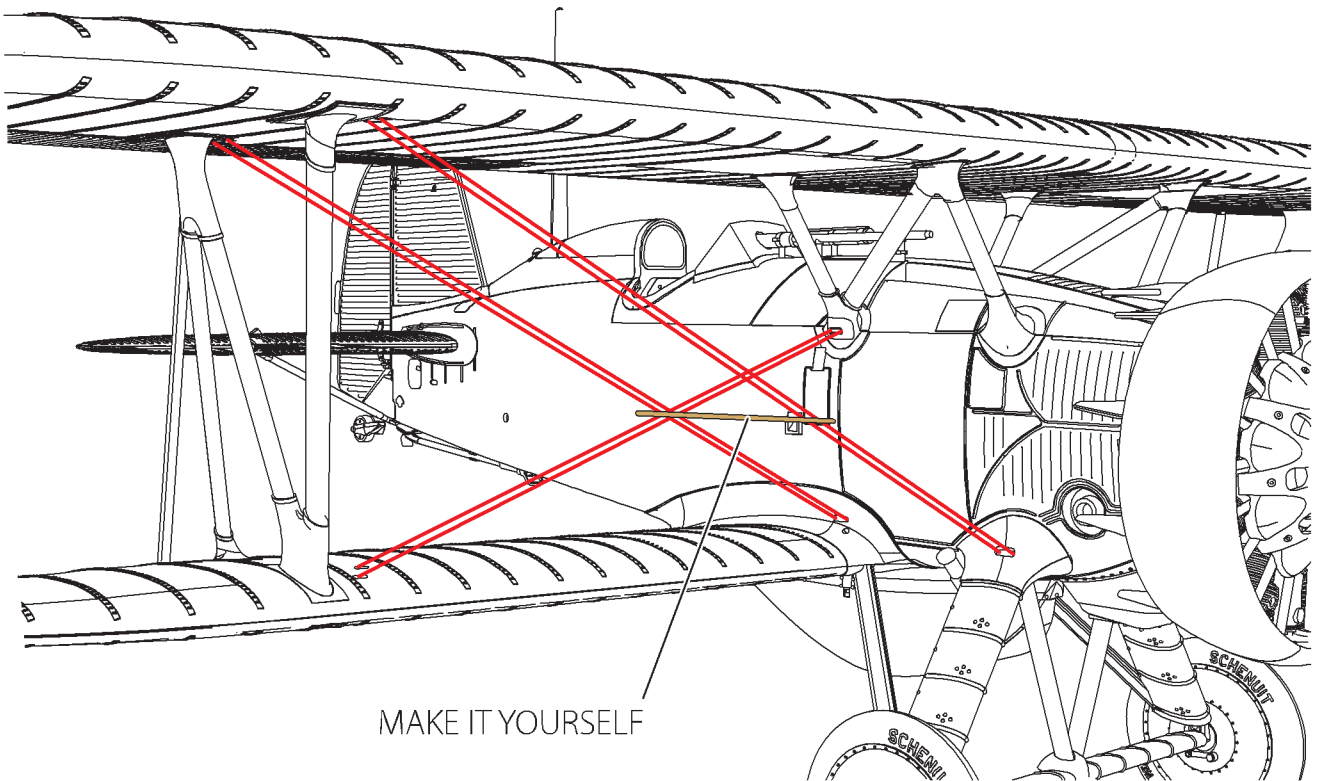
X2



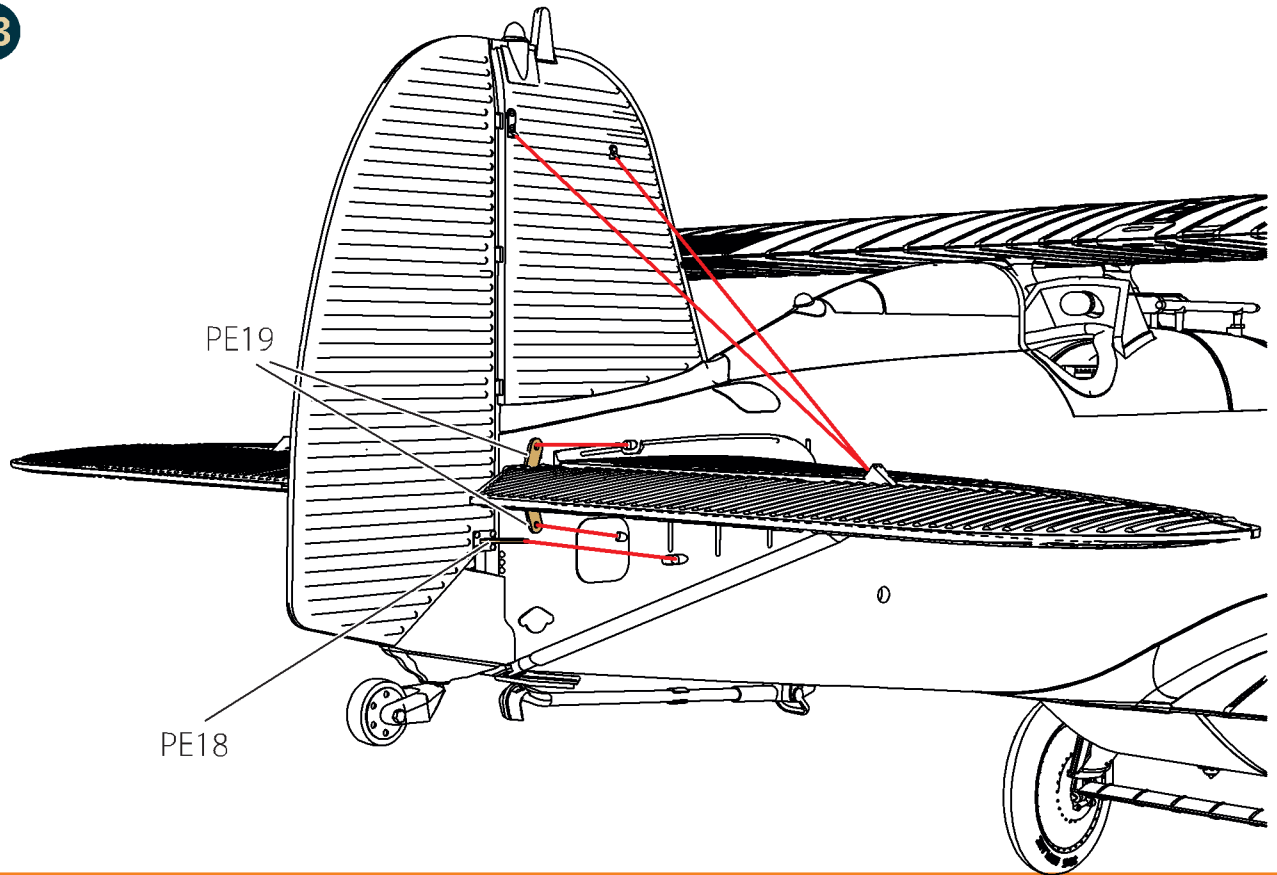
32



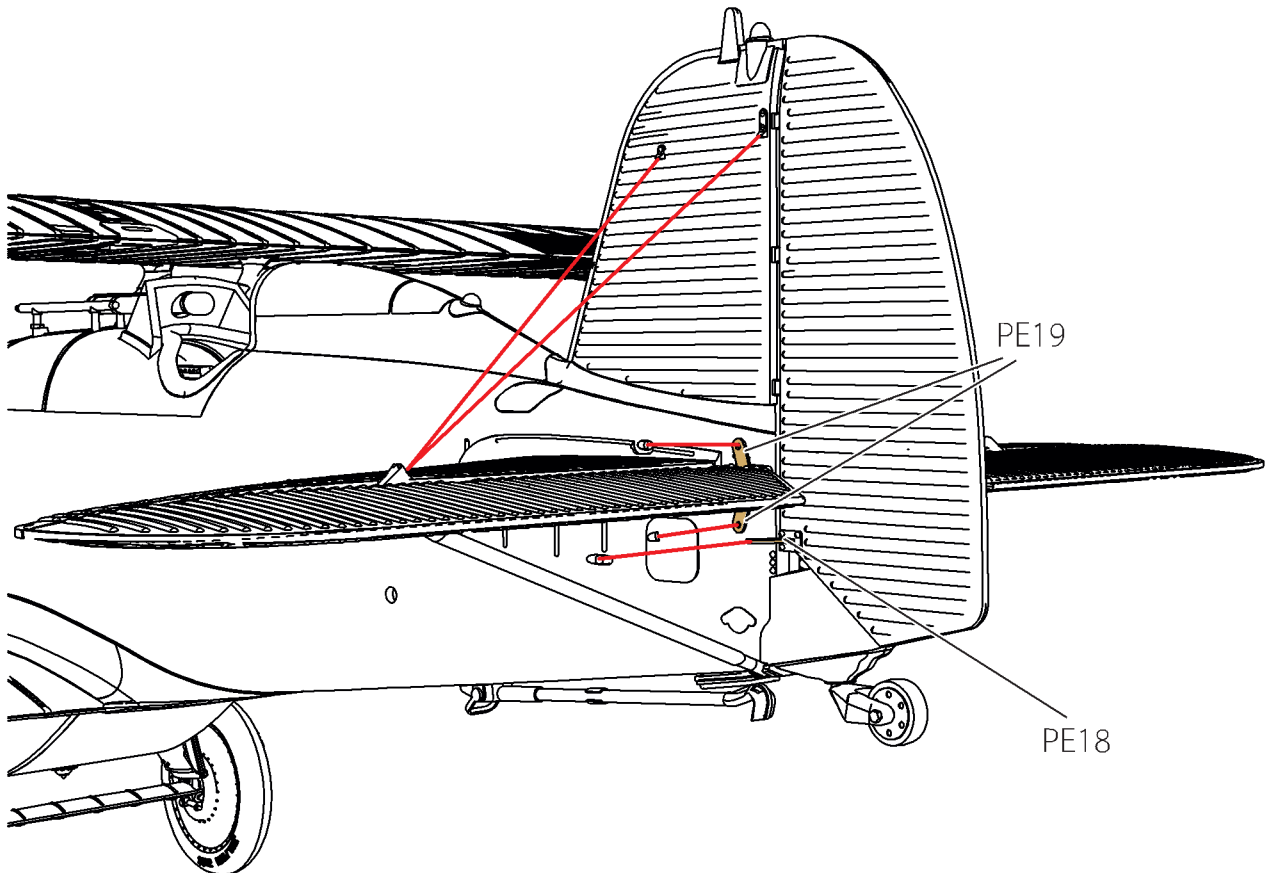
32



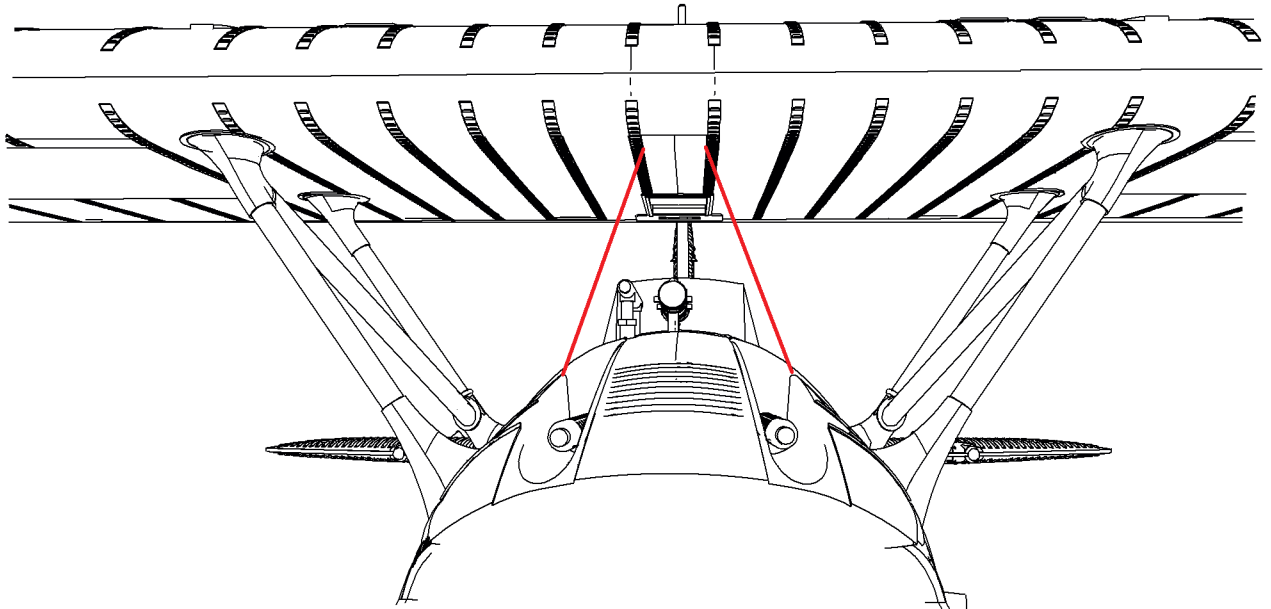
33



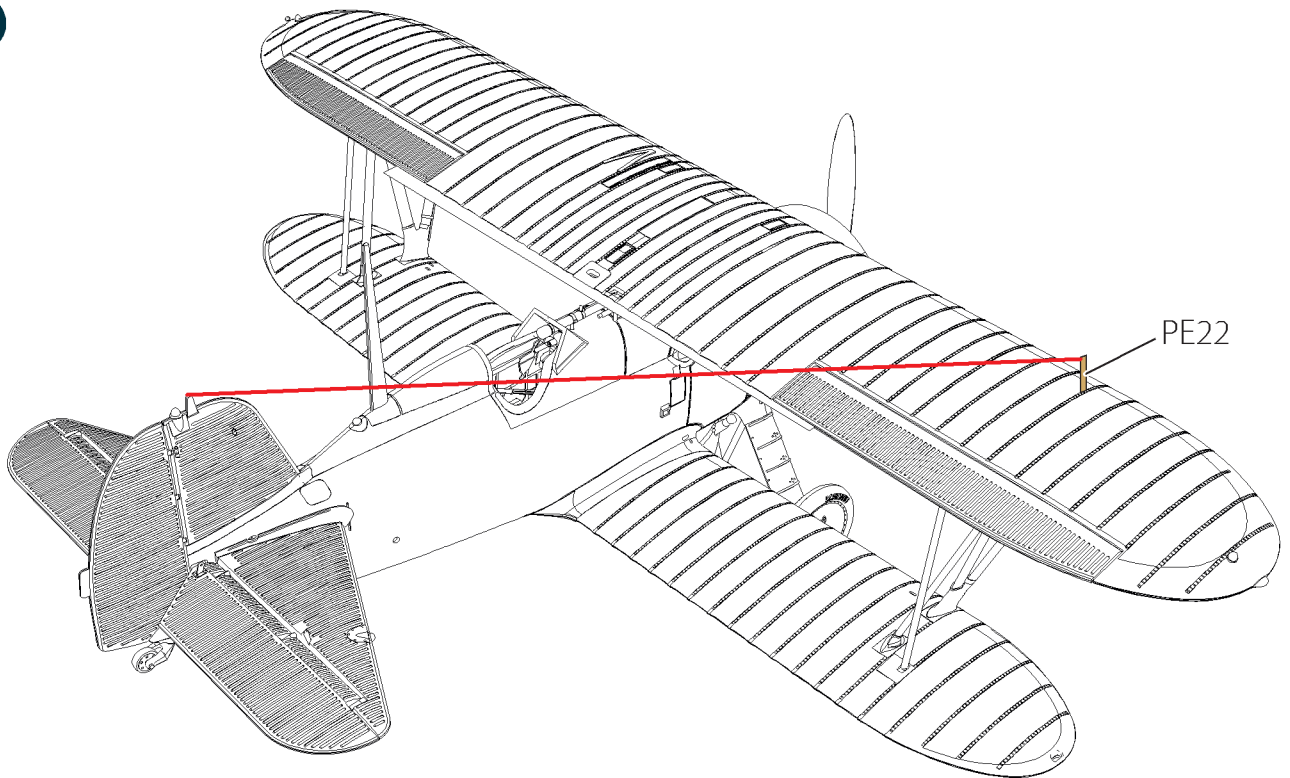
34



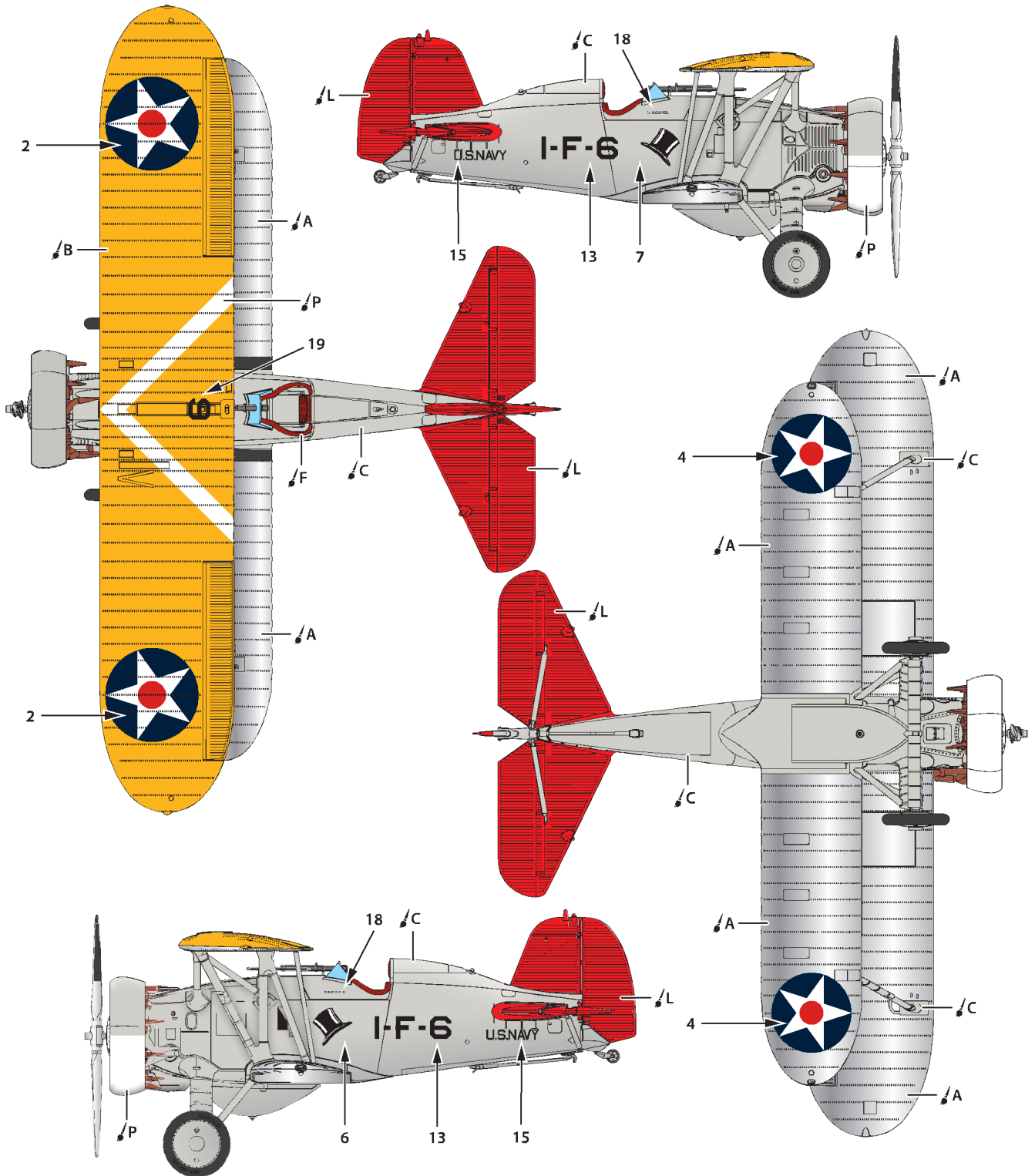
35



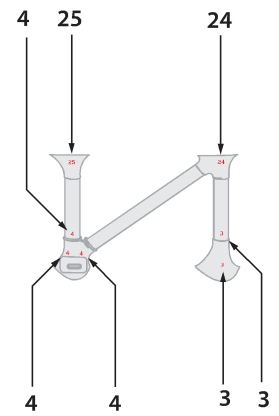
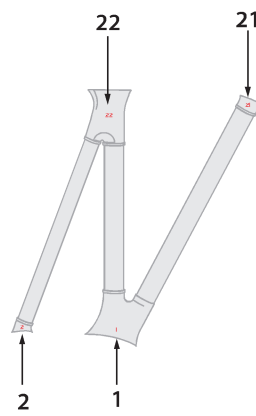
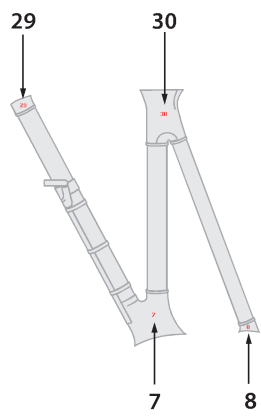
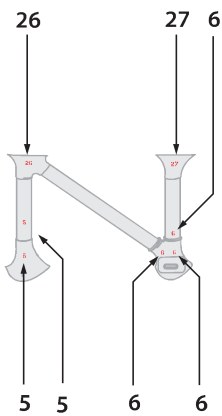
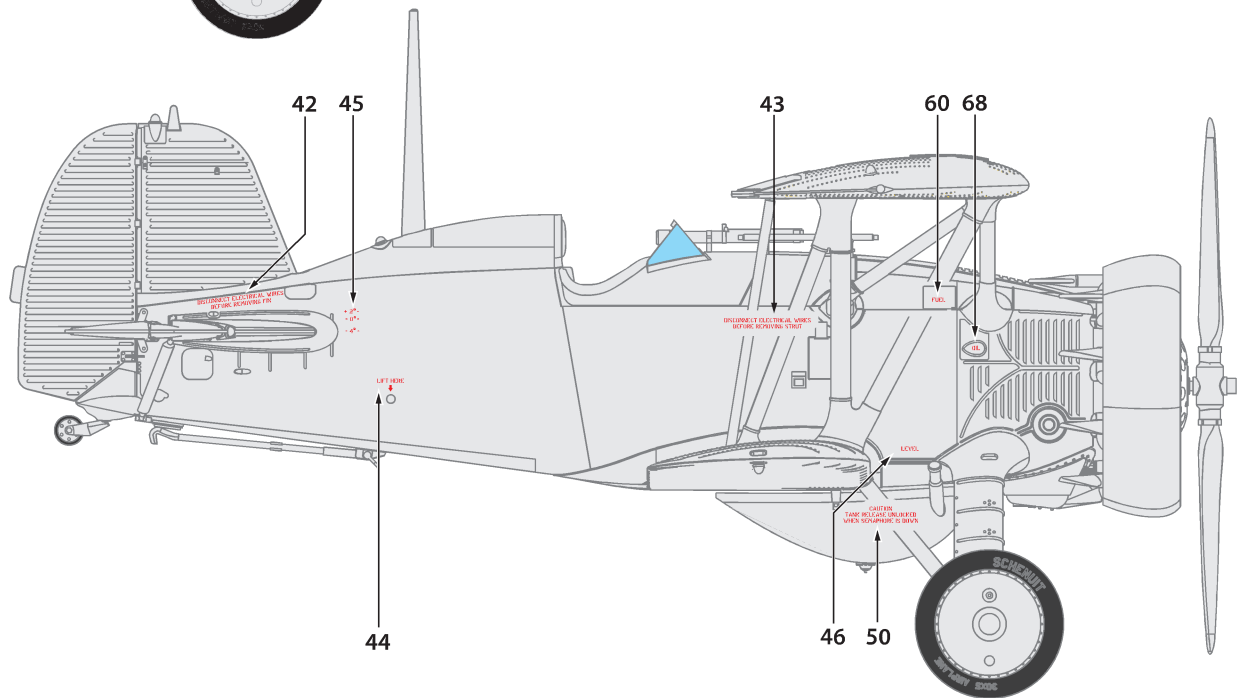
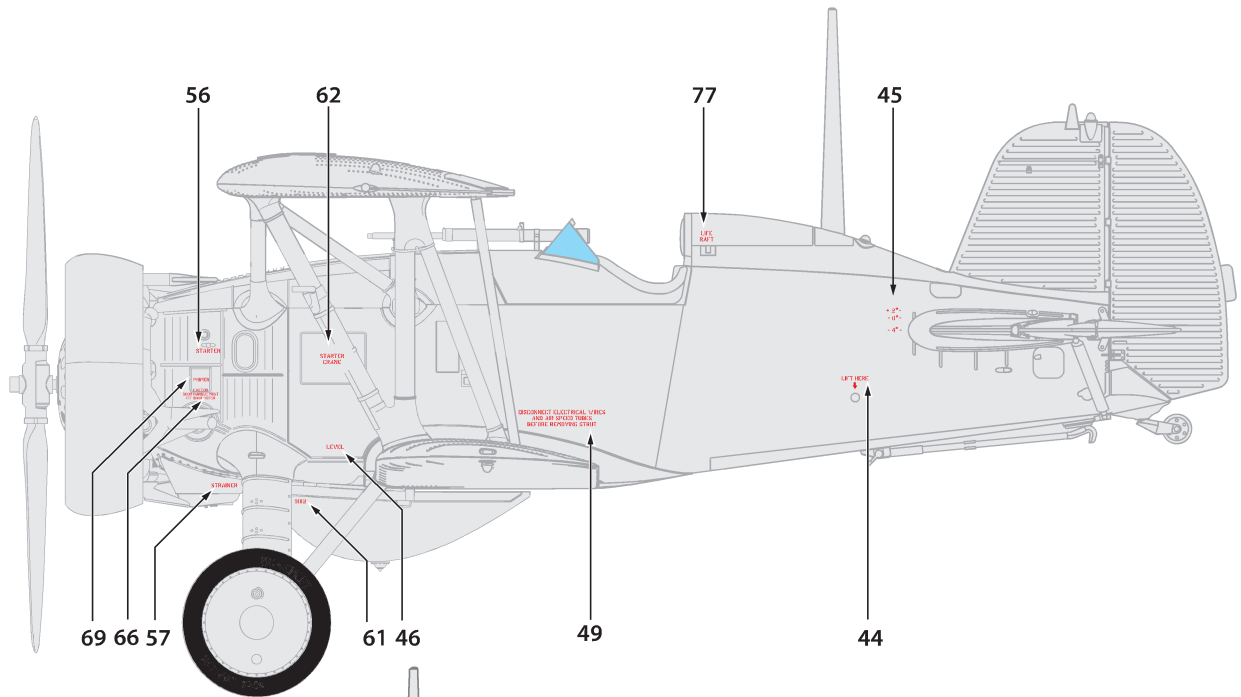
36

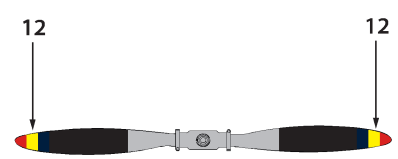
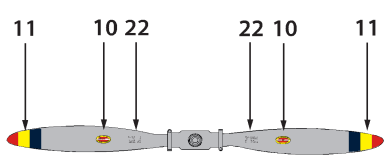
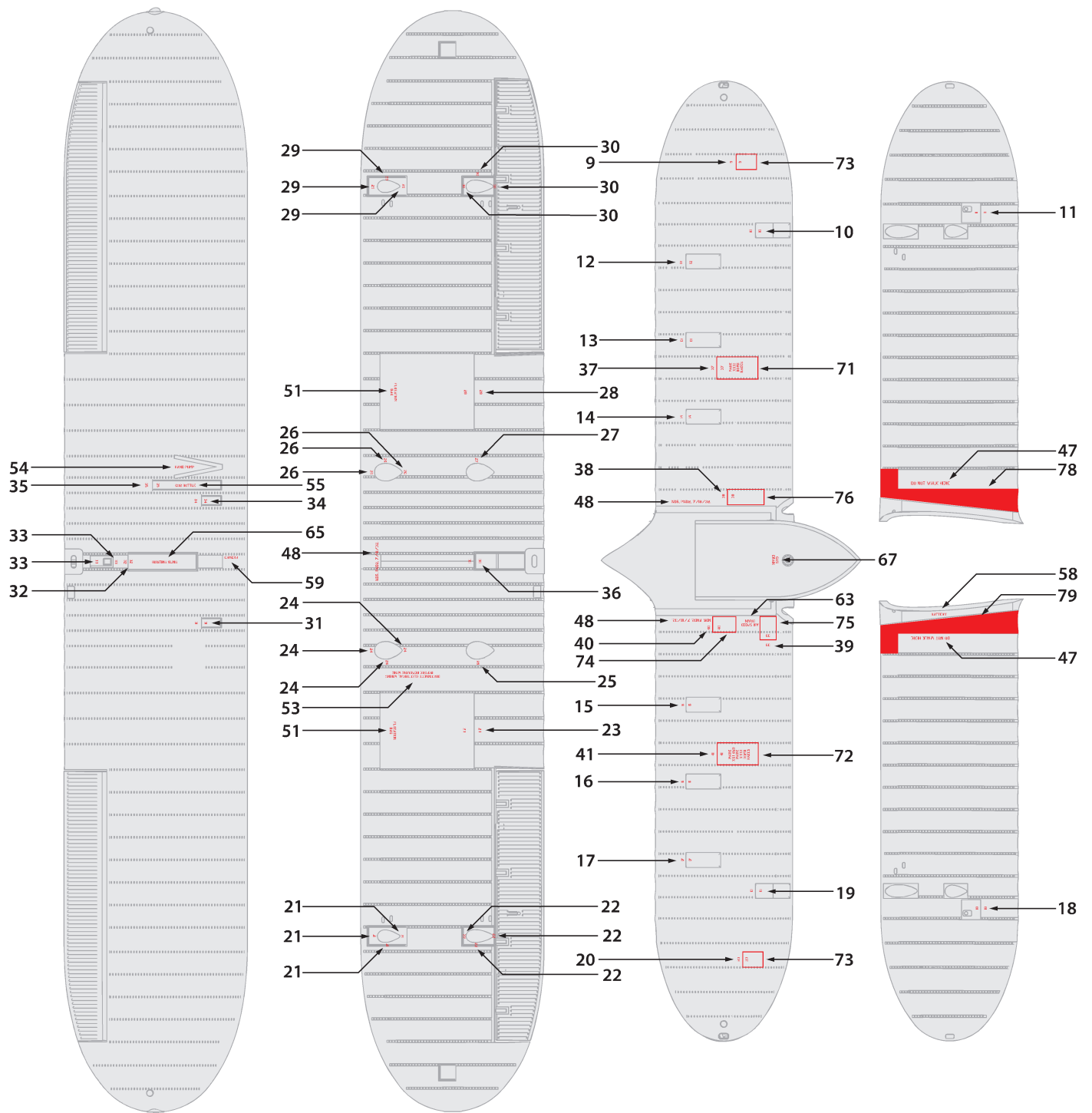


- | | | | | | | | | |
|-------------------------------------|--------------------------|----------------------------|-------------------------------|--------------------------------|------------------------------|---------------------|-----------------------|------------------------|
| A | B | C | E | F | G | L | P | R |
| MR. COLOR C8
SILVER
ALUMINIUM | MR. COLOR C329
YELLOW | MR. COLOR C11
GULL GRAY | MR. COLOR C61
BURNT METALL | MR. COLOR C43
BROWN LEATHER | MR. COLOR C137
TIRE BLACK | MR. COLOR C3
RED | MR. COLOR C1
WHITE | MR. COLOR C4
YELLOW |



① F4B-4. BuNo unidentified. VF-1B, Pilot Lt Richard L. Bellinger. 1933





FRONT VIEW

REAR VIEW